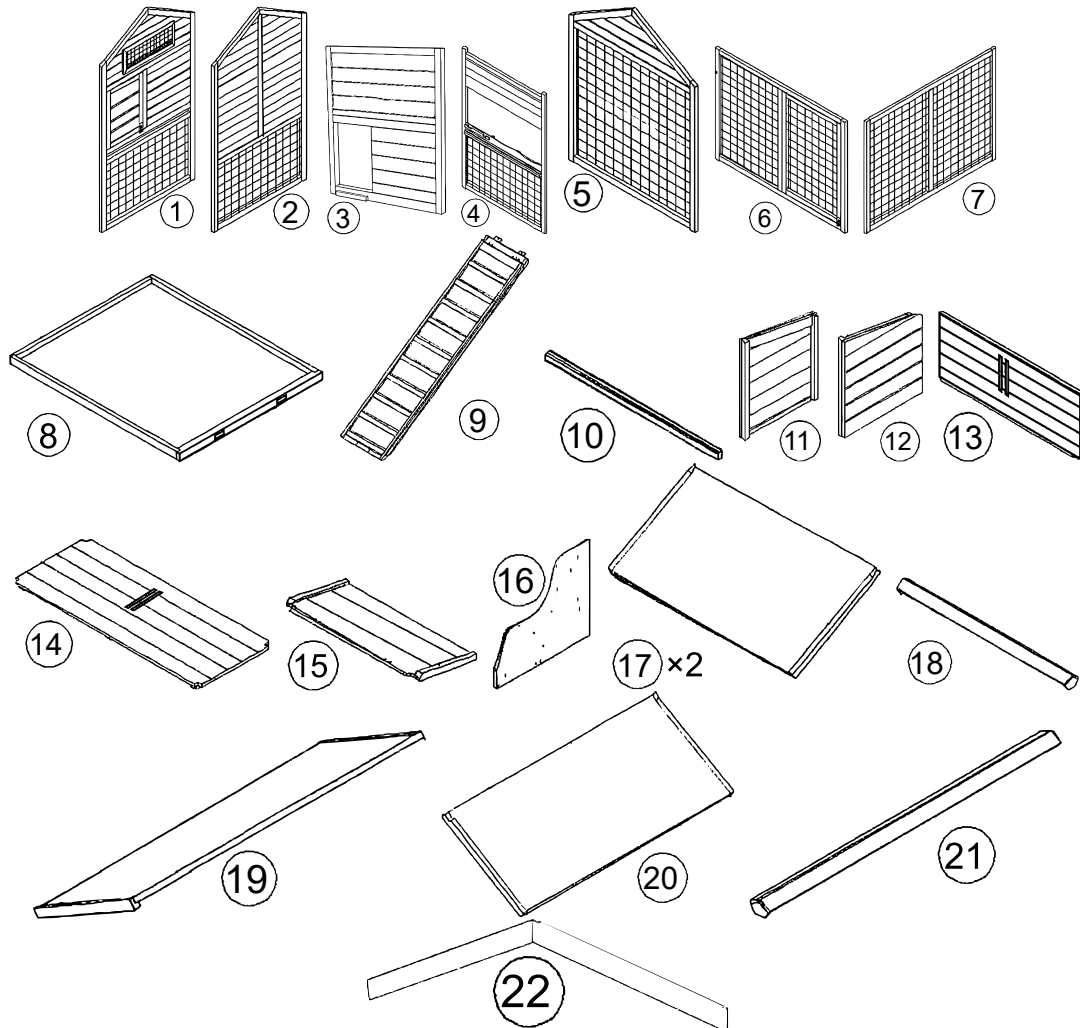


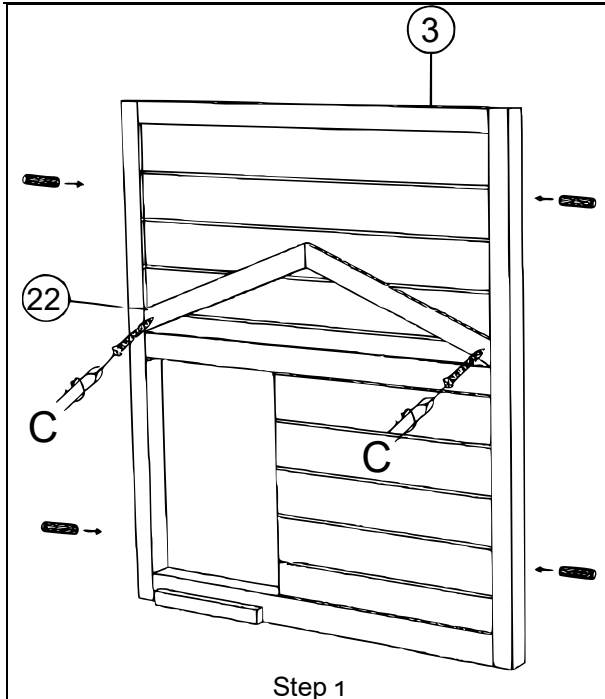
# ASSEMBLY INSTRUCTIONS

## 52204 – Chicken Coop with Nesting Box and Open Enclosure

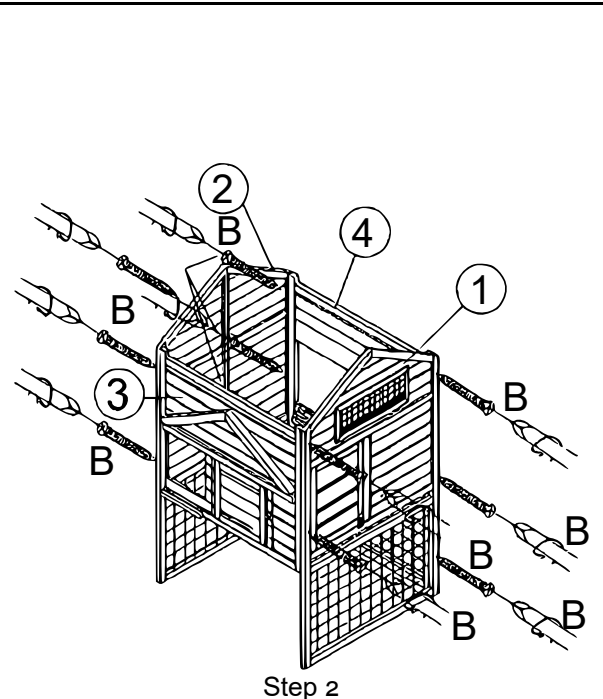


A	B	C	D
3.5×50	3.5×40	3.5×35	3.5×25
4	14	22	8
E	F	H	
3.0×14	M6×50		
6	4	1	4

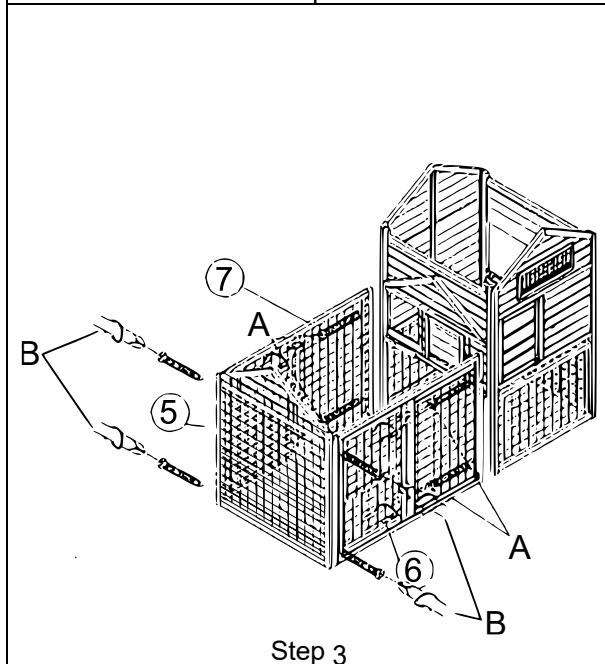
# ASSEMBLY INSTRUCTIONS



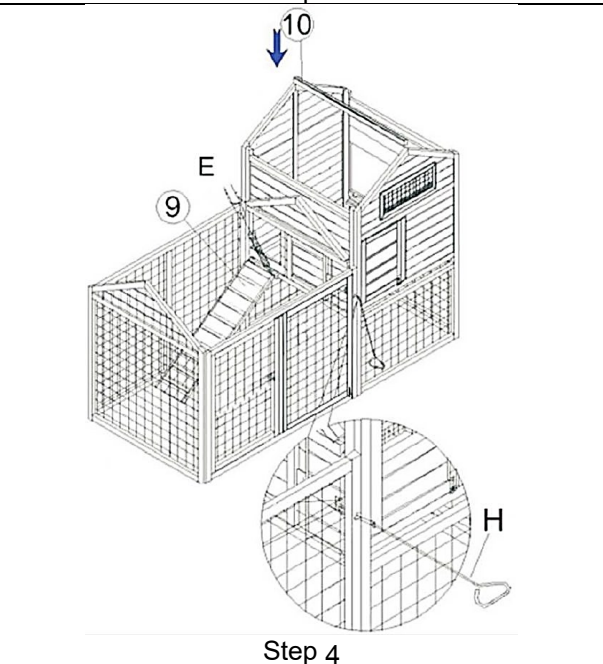
Step 1



Step 2

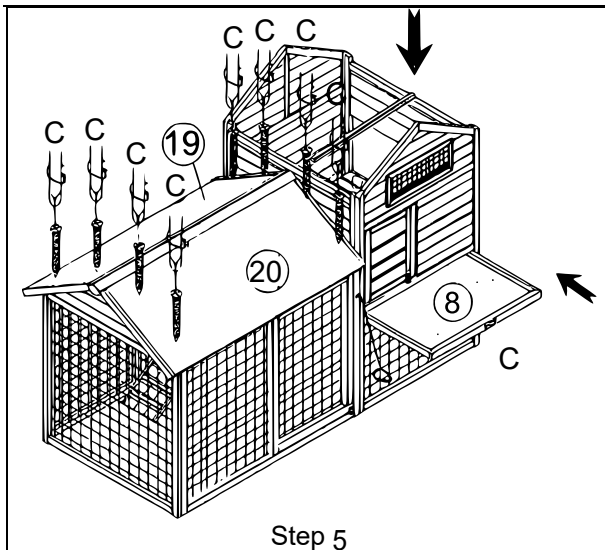


Step 3

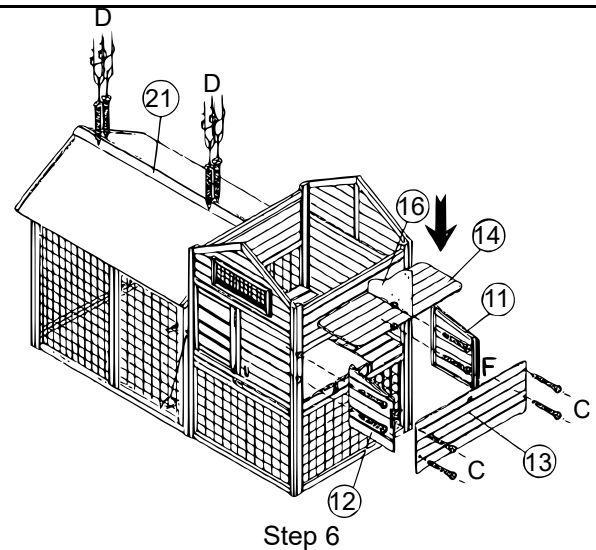


Step 4

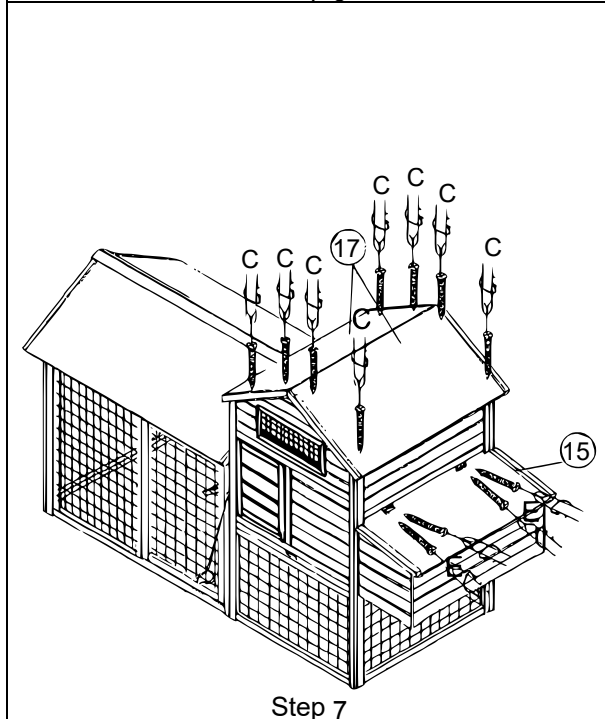
# ASSEMBLY INSTRUCTIONS



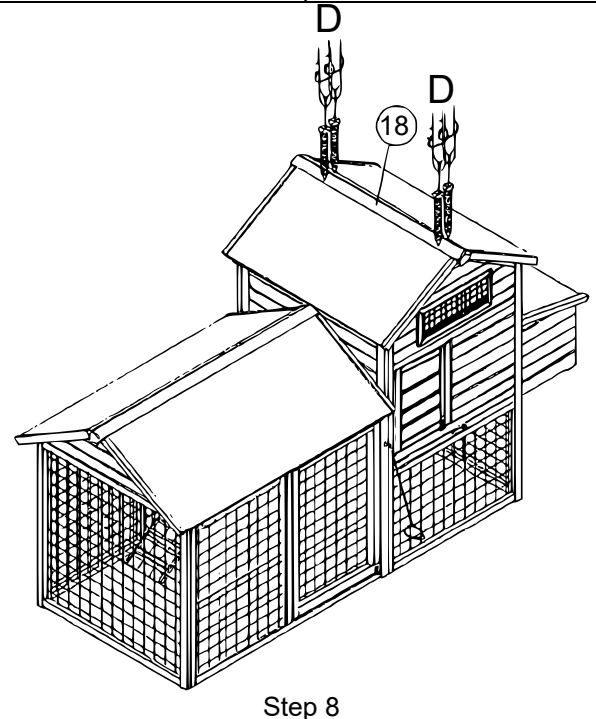
Step 5



Step 6



Step 7



Step 8

**May your chickens be  
happy and the eggs  
plentiful!**

Important note:

The reprint or reproduction, even of excerpts, and any commercial use, even in part of this instruction manual requires the written permission of the WilTec Wildanger Technik GmbH.