

# User's manual

## On-tap Water Filter

52367



Illustration similar, may vary depending on model

Please read and follow the operating instructions and safety information prior to initial operation.

Technical changes reserved!

Illustrations, functional steps, and technical data may deviate insignificantly due to continuous further developments.



The information contained in this document may alter at any time without prior notice. No part of this document may be copied or otherwise duplicated without prior written consent. All rights reserved. WilTec Wildanger Technik GmbH cannot be held liable for any possible mistakes in this operating manual, nor in the diagrams and illustrations shown.

Although WilTec Wildanger Technik GmbH has made every possible effort to ensure that this operating manual is complete, accurate, and up-to-date, errors cannot be ruled out entirely.

If you have found an error or wish to suggest an improvement, we look forward to hearing from you. Send us an e-mail to:

[service@wiltec.info](mailto:service@wiltec.info)

or use our contact form:

<https://www.wiltec.de/contacts/>

The most recent version of this manual in several languages can be found in our online shop:

<https://www.wiltec.de/docsearch>

Our postal address is:

WilTec Wildanger Technik GmbH  
Königsbenden 12  
52249 Eschweiler Germany

To return your goods for exchange, repair, or other purposes, please use the following address. Attention! To allow for a trouble-free complaint or return, it is important to contact our customer service team before returning your goods.

Retourenabteilung  
WilTec Wildanger Technik GmbH  
Königsbenden 28  
52249 Eschweiler Germany

E-mail: **service@wiltec.info**  
Tel: +49 2403 55592-0  
Fax: +49 2403 55592-15



## Introduction

Thank you for choosing to purchase this quality product. To minimise the risk of injury, we ask you to always take some basic safety precautions when using this product. Please read this operating manual carefully and make sure that you understand it. Keep these operation instructions in a safe place.

## Safety instructions

- Read these safety instructions before using the device and only use the device according to its purpose.
- The mark “**Attention!**” would like to direct your attention to an important safety aspect to be observed absolutely. Non-observance can cause severe consequences.
- Keep these instructions in a safe place to be always able to refer to them.

**Attention!** Only use drinking-quality water as water source. This device can remove chlorine rests and turbid particles from the tap water; however, it cannot transform non-drinking water into drinking water.

## Correct use of filtered water

- Before the first use of a day, let the water run through during 10 s before using it.
- After a period of more than two days of non-use of the device, let the water run through during 1 min before using it.
- Keep the outlet of the filtered water clean.
- Use the water as quickly as possible.
- The moment of exchange of a filter cartridge depends on several factors (quantity, quality, pressure of the water, etc.).
- After a period of more than two weeks of non-use of the device, exchange the filter cartridge.

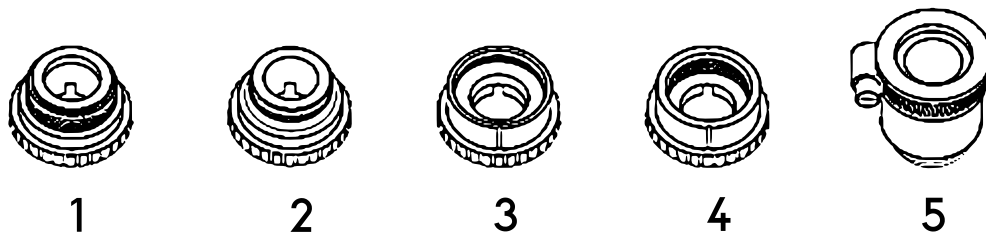
## Preventing leaks and accidents

- Do not use soap, detergent, thinner, alcohol, etc. to clean the device; these substances might damage the filter.
- Do not use the filter if it is damaged. Using a damaged filter can provoke splashes of water from the filter.
- Do not remove the filter from the water tap during filtration. This could damage the filter and provoke leaks.
- Make sure that neither the filter nor the tap touches another object during use; otherwise, the filter could jump off the water tap.
- Do not let water hotter than 35 °C run through the Water side of the device; this can reduce the capacity of the active carbon and provoke errors.
- Do not let water hotter than 50 °C run through the Raw water side of the device; this can provoke deformations of parts of the filter.
- Neither obstruct the water outlet nor connect other devices/accessories. If you do so, errors and damages might follow.
- Make sure that the device does not freeze. This could damage the filter and water tap.
- Whenever the water pressure is too high, adjust a lesser flow rate.
- Avoid hot surfaces; heat might deform or damage the device.

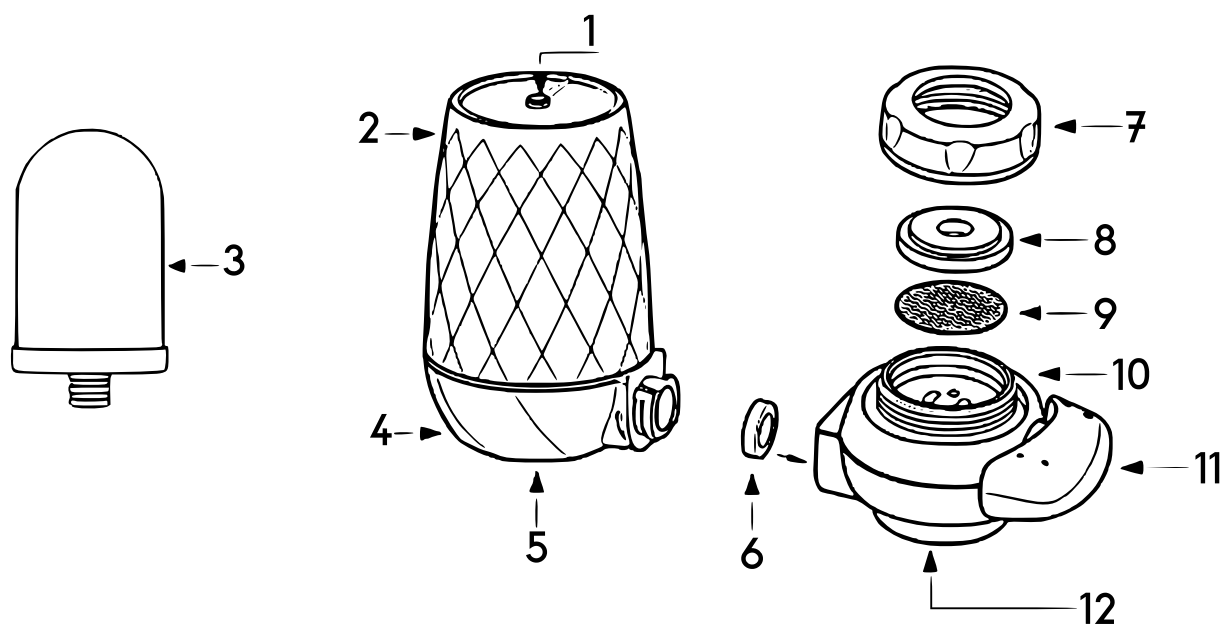
### Improper water taps

|   |  |                                       |
|---|--|---------------------------------------|
| <p>Outlet diameter over 24 mm</p> <p>Over 24 mm</p> | <p>Outlet diameter under 15 mm</p> <p>Under</p>        | <p>Uneven outlets</p>                 |
| <p>Water taps equipped with shower head</p>         | <p>Different thread sizes</p> <p>Thread over 24 mm</p> | <p>Water taps with sensor command</p> |

### Parts



| № | Name                                |
|---|-------------------------------------|
| 1 | Connection with M24 external thread |
| 2 | Connection with M22 external thread |
| 3 | Connection with M24 internal thread |
| 4 | Connection with M22 internal thread |
| 5 | Universal connection                |



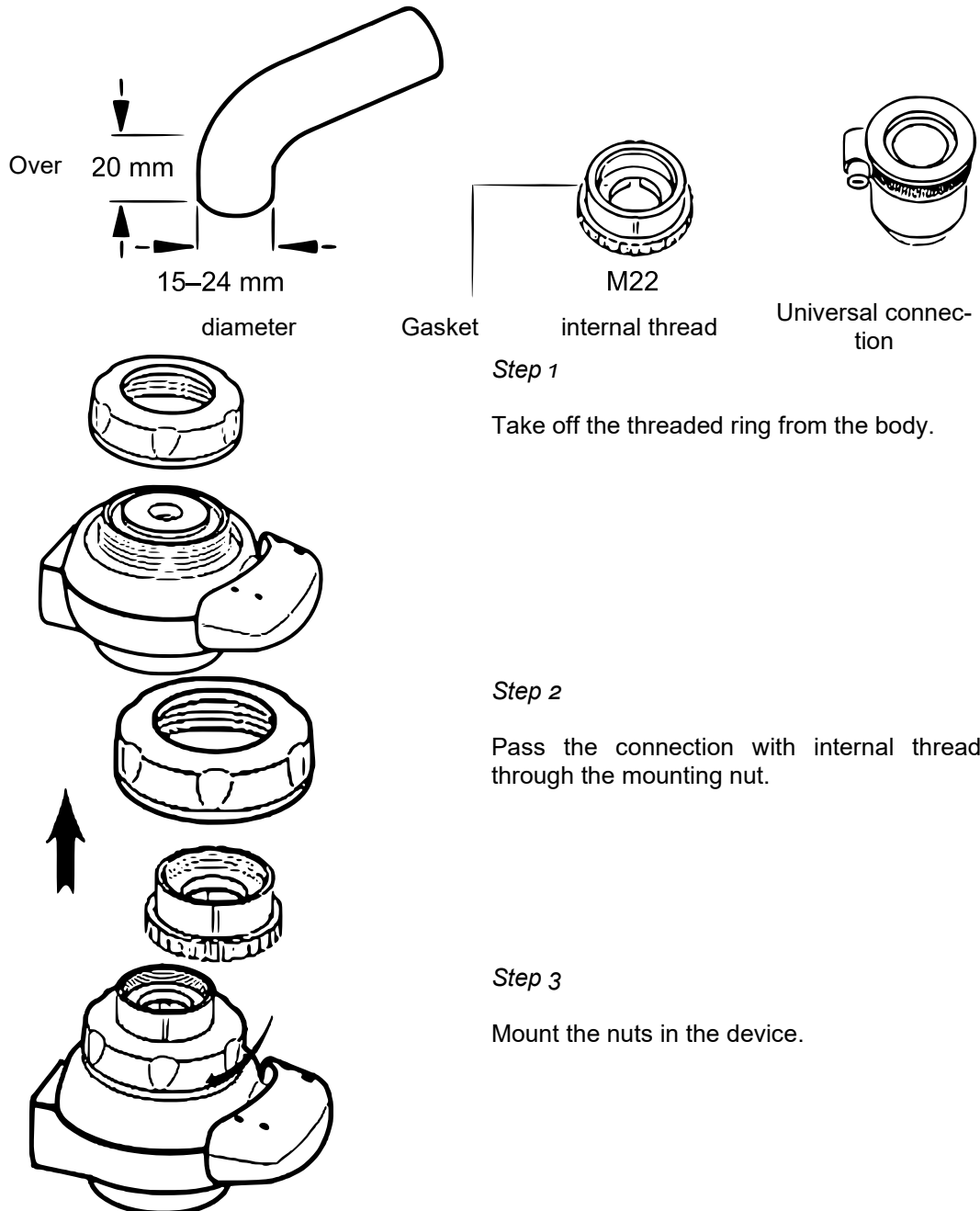
| No | Name                         |
|----|------------------------------|
| 1  | Clockwork                    |
| 2  | Filter case                  |
| 3  | Ceramic and carbon filter    |
| 4  | Water filter bottom          |
| 5  | Inlet of pure water          |
| 6  | Gasket                       |
| 7  | Nut                          |
| 8  | Silicon pad                  |
| 9  | Filter net of incoming water |
| 10 | Body                         |
| 11 | Selector switch              |
| 12 | Raw water inlet              |

### Installation and instructions

First determine the proper method and accessories for your connection.

*1<sup>st</sup> method: water tap with universal joint and faucet*

Requirements to the water tap: diameter 15–24 mm, length: over 20 mm



Step 1

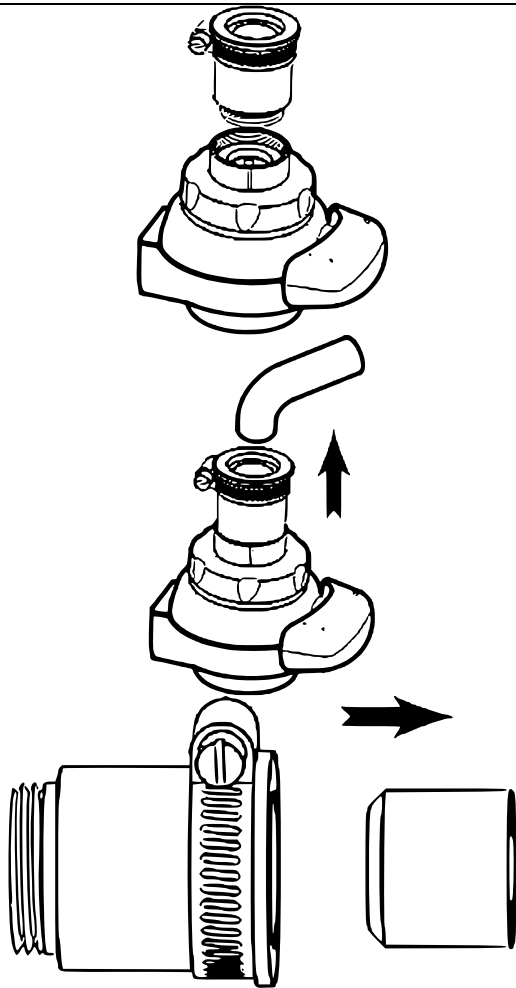
Take off the threaded ring from the body.

Step 2

Pass the connection with internal thread through the mounting nut.

Step 3

Mount the nuts in the device.



*Step 4*

Mount the universal joint in the threaded joint.

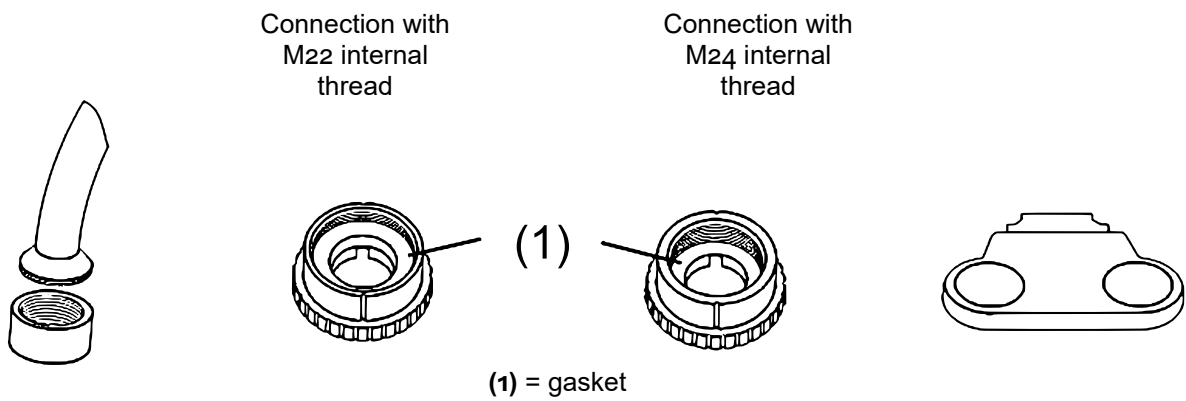
*Step 5*

Insert the round faucet into the universal connection and tighten the retaining ring on the universal joint with a screwdriver.

*Step 6*

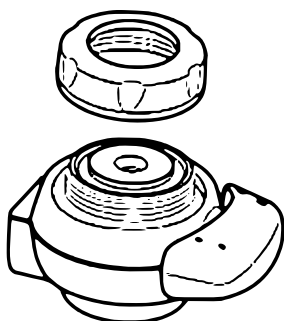
If the faucet diameter is comprised between 19 and 24 mm, remove the seal on the universal joint and install it by referring to the installation method.

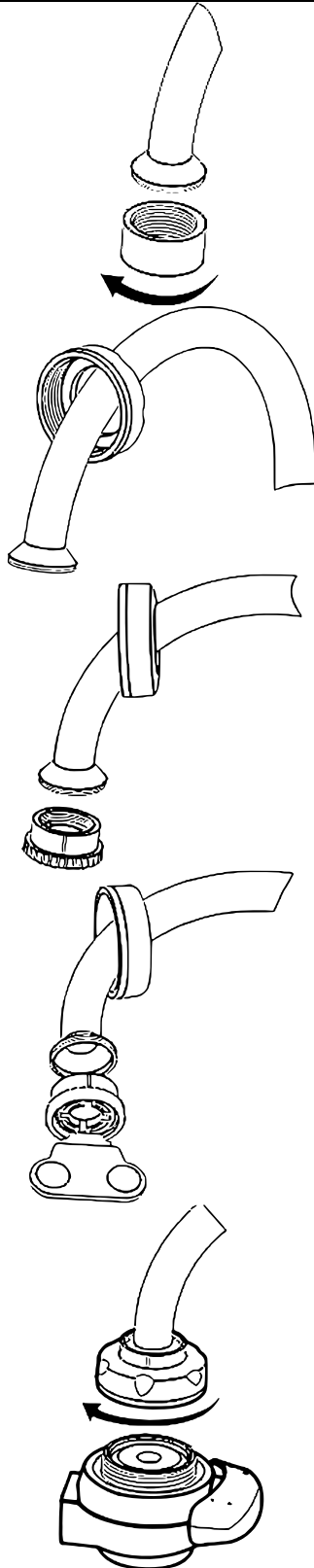
*2<sup>nd</sup> method: Installation of M22/M24 internal thread joints and faucets (external thread)*



*Step 1*

Take off the threaded ring from the body.





*Step 2*

Take off the metal bubbler.

*Step 3*

Pass the mounting nut through the tap tube.

*Step 4*

Choose the proper inner threaded connection for the installation.

*Step 5*

Tighten the inner thread and water tap with a wrench.

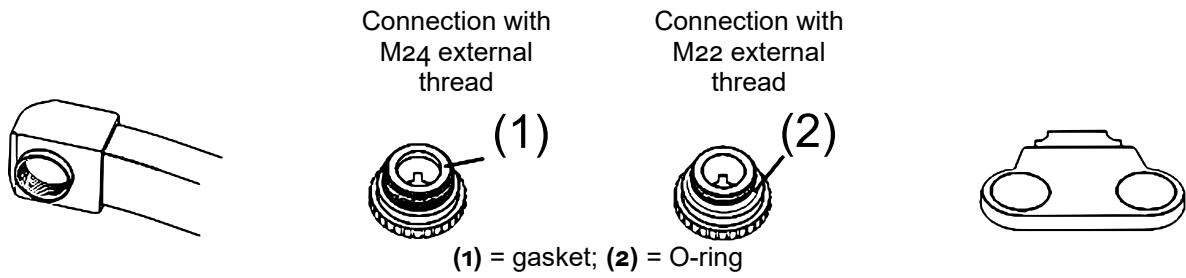
If the front end of the water tap or the threaded joint shifts, use sealing tape to fix them.

*Step 6*

Tighten the mounting nut and mounting device. Ensure proper sealing.



3<sup>rd</sup> method: Installation of M22/M24 external thread joints and faucets (internal thread)



Step 1

Take off the threaded ring from the body.

Step 2

Take off the metal bubbler.

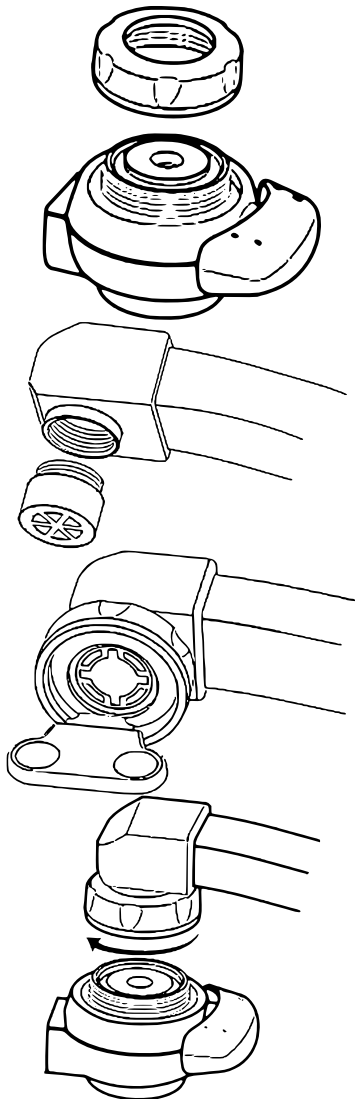
Step 3

Choose the correct external threaded connection for installation and tighten the external threaded connection of the water tap with a wrench.

If the front end of the water tap or the threaded joint shifts, use sealing tape to fix them.

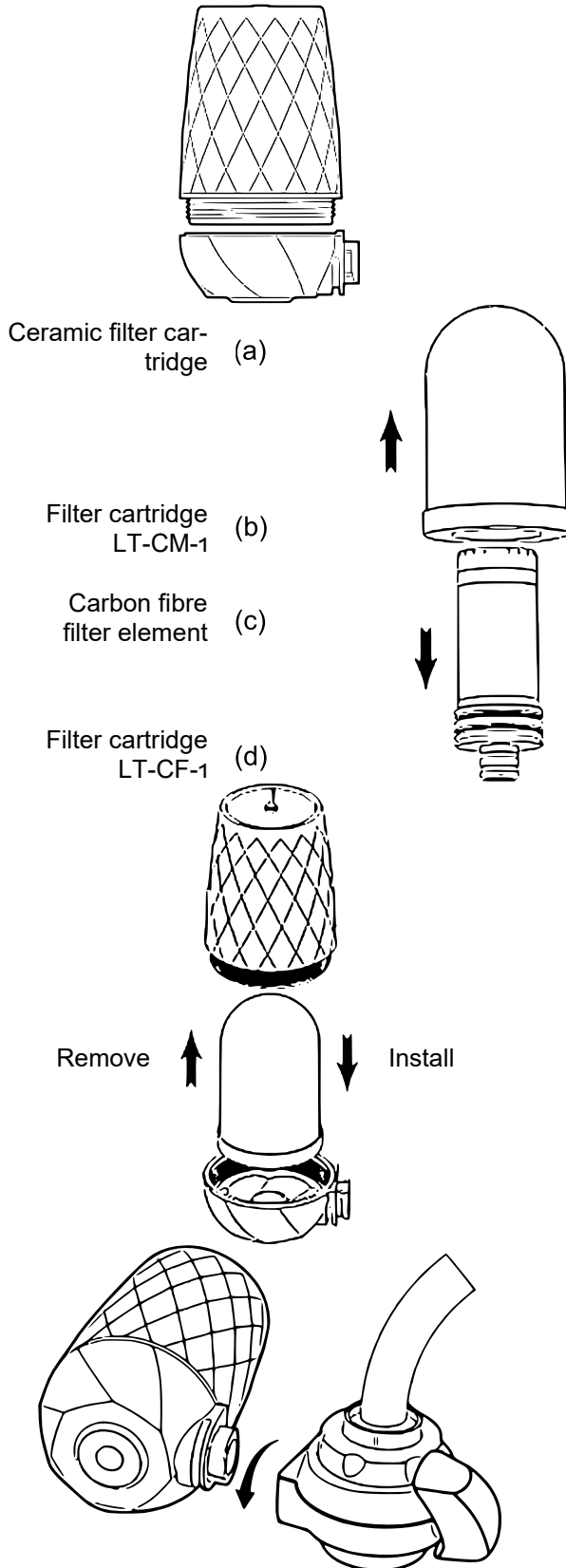
Step 4

Tighten the mounting nut and mounting device. Check if the sealing is correct.



*Mounting or replacing a filter*

**Attention!** Before replacing a filter, you will need to close the water tap and set the selector switch to the Raw water side. Then you can replace the filter.



*Step 1*

Remove the water filter case.

*Step 2*

Install or replace a filter.

**Attention!** Remove the plastic bag of the cartridge before installing.

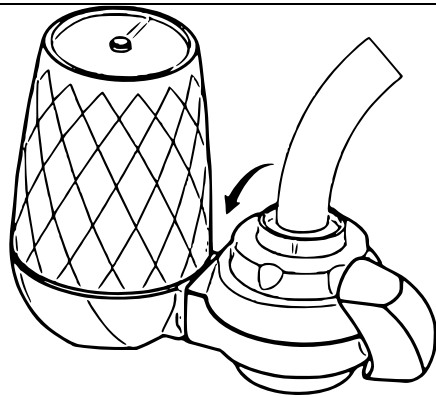
*Step 3*

Insert the filter cartridge/pull out the base and tighten the filter insert to protect the case.

**Attention!** Remove the plastic bag of the cartridge before installing.

*Step 4*

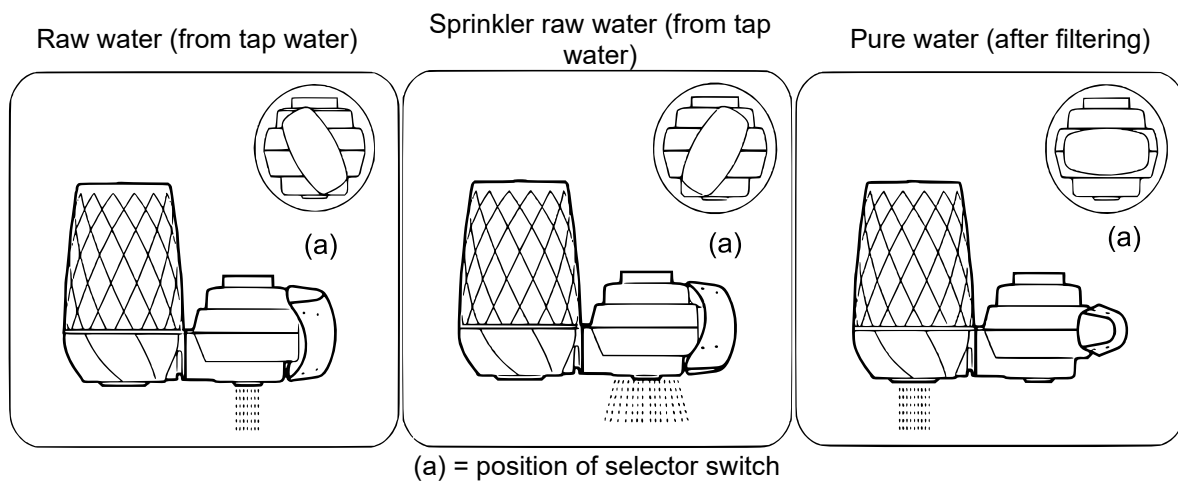
Align the connection of the filter base in the direction of the arrow.



**Step 5**

Insert the connection into the filter base of the main unit and tighten it until it is vertical.

**Selection of raw water and pure water**



**Daily maintenance of the filter**

*Cleaning the filter cartridges*

- The filter cartridges are made from ceramic and carbon fibre composite.
- Cleaning: with sandpaper or a brush to clean the surface of the filter.
- When cleaning a filter cartridge, leave the outlet opening open to prevent dirt particles from entering the filter.

*Replacing the filter cartridges*

- Normally, the service life of the filter cartridges depends on the water quality. It is advisable to replace a filter cartridge after 5–6 months. Replace the filter cartridges early enough.



## Troubleshooting

| Problem                              | Possible cause   | Proposed solution   |
|--------------------------------------|--|---|
| <b>Water tap connections leaking</b> | Improper installation  | Make sure that the device is correctly installed (see "Installation and instructions"). |
|                                      | Connector piece to water tap connection improperly fixed                   | Make sure that the connector piece is correctly installed and fixed.                    |
|                                      | Front part of the water tap damaged or torn                                | Repair or replace water tap.  |
|                                      | Fixing element thread shifted or broken                                    | Wrap with adhesive tape.  |
| <b>Fall of water output</b>          | Water filter clogged   | Clean water filter with a tooth brush and/or other means (do not use detergents).       |
|                                      | Filter clogged   | Clean or replace opening.   |
| <b>Water smelling</b>                | Filter not cleaned over a longer period or service life of filter exceeded | Clean or replace opening.   |

## Technical specifications

|   |            |
|---|------------|
| <b>Size (mm)</b>  | 160×83×118 |
| <b>Filter stages</b>  | 9          |
| <b>Pressure range (bar)</b>   | 1–4        |
| <b>Max. flow rate – filter medium (<math>\frac{1}{\text{min}}</math>)</b> | 2          |

### Important Note:

Reproduction and any commercial use (of parts) of this operating manual, requires a written permission of WilTec Wildanger Technik GmbH.