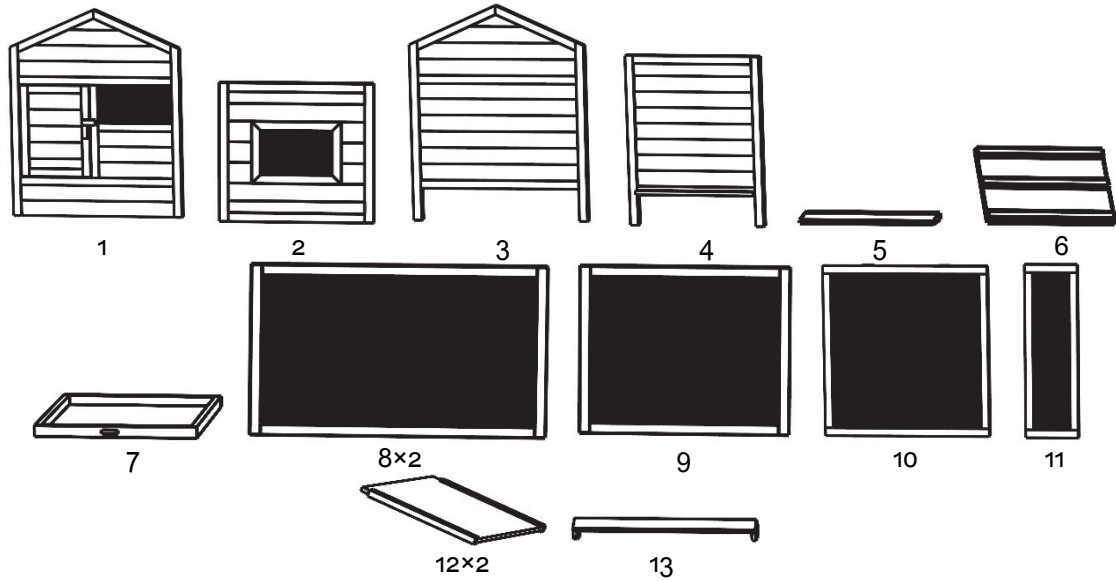
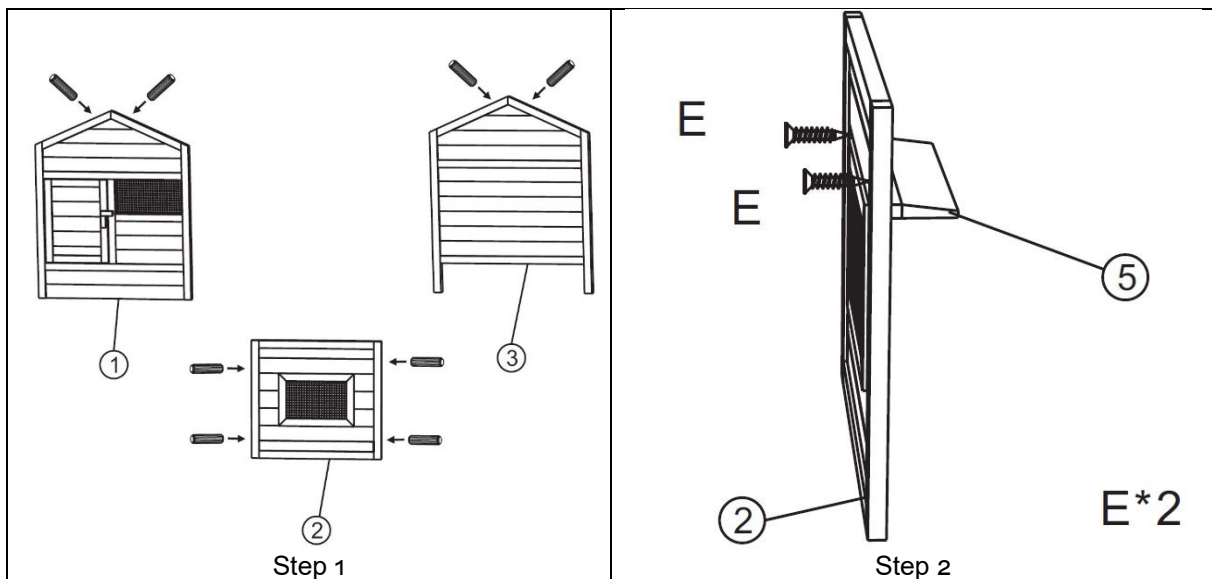


# ASSEMBLY INSTRUCTIONS

## 52409 – Rabbit Hutch with Open Enclosure

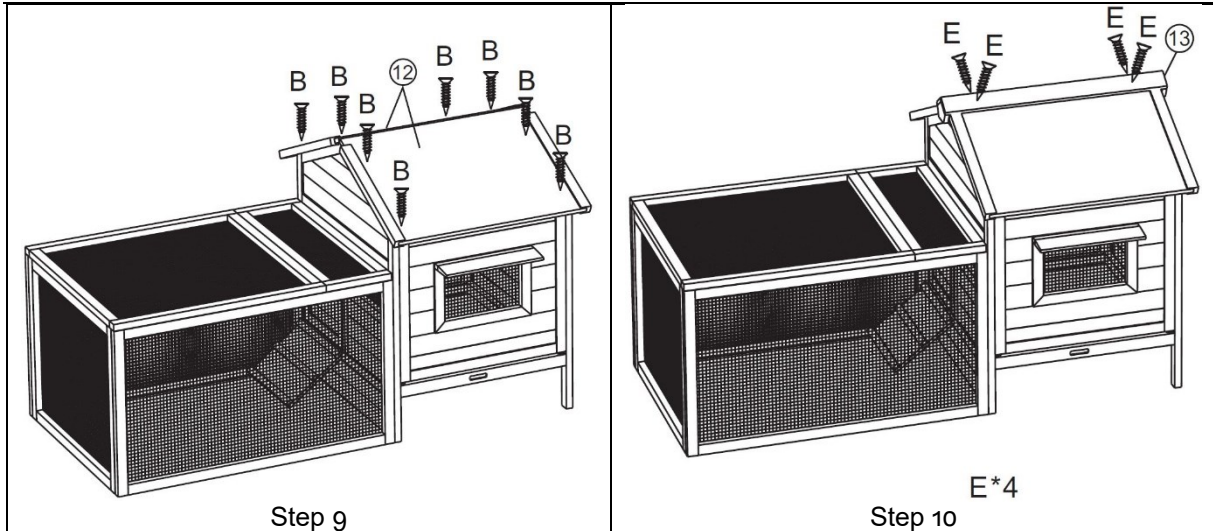


A	B	C	D	E	H
16	8	4	6	6	12



<p>Step 3</p> <p>A*4</p>	<p>Step 4</p> <p>A*4</p>
<p>Step 5</p>	<p>Step 6</p> <p>A*4 C*4</p>
<p>Step 7</p> <p>A*4</p>	<p>Step 8</p> <p>D*4</p>

# ASSEMBLY INSTRUCTIONS



**May your rabbits  
grow and prosper  
in their new barn.**

Important note:

The reprint or reproduction, even of excerpts, and any commercial use, even in part of this instruction manual requires the written permission of the WilTec Wildanger Technik GmbH.