

User's Manual

CHL Pump

55551-55556



Illustration similar, may vary depending on model

Please read and follow the operating instructions and safety information prior to initial operation.

Technical changes reserved!

Illustrations, functional steps, and technical data may deviate insignificantly due to continuous further developments.



The information contained in this document may alter at any time without prior notice. No part of this document may be copied or otherwise duplicated without prior written consent. All rights reserved. WilTec Wildanger Technik GmbH cannot be held liable for any possible mistakes in this operating manual, nor in the diagrams and illustrations shown.

Although WilTec Wildanger Technik GmbH has made every possible effort to ensure that this operating manual is complete, accurate, and up-to-date, errors cannot be ruled out entirely.

If you have found an error or wish to suggest an improvement, we look forward to hearing from you. Send us an e-mail to:

service@wiltec.info

or use our contact form:

<https://www.wiltec.de/contacts/>

The most recent version of this manual in several languages can be found in our online shop:

<https://www.wiltec.de/docsearch>

Our postal address is:

WilTec Wildanger Technik GmbH
Königsbenden 12
52249 Eschweiler – Germany

To return your goods for exchange, repair, or other purposes, please use the following address. Attention! To allow for a trouble-free complaint or return, it is important to contact our customer service team before returning your goods.

Retourenabteilung
WilTec Wildanger Technik GmbH
Königsbenden 28
52249 Eschweiler – Germany

E-mail: **service@wiltec.info**

Tel: +49 2403 55592-0

Fax: +49 2403 55592-15



Introduction

Thank you for choosing to purchase this quality product. To minimise the risk of injury, we ask you to always take some basic safety precautions when using this product. Please read this operating manual carefully and make sure that you understand it. Keep these operation instructions in a safe place.

Properties

- This product being multipurpose, it can be used for many applications: aquarium fish tanks, garden fountains, water-cooled air conditioning, mechanical equipment cooling, etc.
- Integrated thermal protection chip
- Pump with flat-suction design
- Strong circulated suction of the water
- Streamlined carry handle
- Easy handling
- Sealed with high-quality resin adhesive, well insulated, and safe to use
- Equipped with rubber buffers that effectively reduce functional noise and absorb strongly

Safety instructions

CAUTION:

In and near standing water, garden ponds, and swimming ponds, the use of this device is only allowed with a fault current protection switch with a triggering nominal current up to 30 mA (according to VDE 0100 Article 702 and 738).

The device is not suitable for use in swimming pools, paddling pools of any kind, or bodies of water in which people or animals may stay during operation. Operation of the device with people being in the danger area is not permitted. Contact an electrician.

The device is not intended for use by persons (including children) with impaired or limited physical, sensory, and mental abilities or lack of experience and/or real knowledge, unless they are supervised by a person responsible for their safety or follow the instructions made by this person on how to correctly use the device. Children should be supervised to ensure that they do not play with the device.

ATTENTION:

- Perform a visual inspection of the device before every use. Do not use the device if the safety appliances are damaged or worn out. Never override safety regulations.
- Only use the device accordingly to the intended purpose stated in this manual.
- You are responsible for the safety of the working zone.
- If the cable or plug is damaged due to external influences, the cable must not be repaired, but must be replaced with a new one. This work may only be carried out by a qualified electrician.
- The voltage of 230 V AC indicated on the nameplate of the device must match the existent mains voltage.
- Never lift, carry, or fix the device by using the power cable.
- Make sure that the electric plug connections are protected from flood and humidity.
- Always unplug the device before working on it.
- The user is responsible for complying with local safety and mounting regulations. If necessary, ask a qualified electrician.
- The user must take appropriate measures (e.g., installation of an alarm system, a reserve pump, etc.) to prevent damage caused by the flooding in case of device malfunctioning.
- In case of device failure, repairs can only be carried out by an electrician.



- The device must never run dry or be operated with its suction line fully closed. The manufacturer's warranty is void for damage to the device caused by dry running.
- Do not use this device to operate swimming pools.
- This device must not be integrated into any kind of domestic water circuit meant for potable water.


WARNING:

Read all safety precautions and instructions. Failure to obey the safety precautions and instructions might cause an electric shock, a fire, and/or severe injuries. Keep all safety precautions and instructions for future use.

Technical specifications

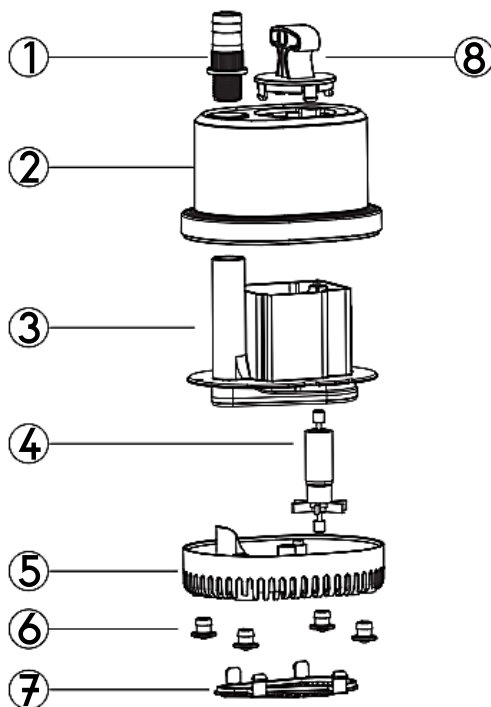
Item number	Pump	Power supply	Power (W)	Max. lifting height (m)	Flow rate (l/h)	Outlet opening (cm)
55551	CHL-1000	220– 240 V/50 Hz	15	1.4	1000	1,58 (5/8")
55552	CHL-1500		25	1.8	1500	1,27 – 1,58 – 1,90 (1/2" – 5/8" – 3/4")
55553	CHL-2500		40	2.3	2500	
55554	CHL-3000		55	2.8	3000	1,58 – 1,90 – 2,54 (1/2" – 5/8" – 3/4")
55555	CHL-3500		70	3.2	3500	
55556	CHL-4500		100	3.8	4500	

Maintenance

Regularly clean the pump to allow it to keep its full power.

1. Remove the fixing screw at the bottom of the pump to open.
2. The rotor can be removed immediately.
3. Wipe the rotor off with a soft cloth, then rinse the pump housing with clean water to remove all the dirt.

Parts list



Nº	Name	Nº	Name
1	Outlet	5	Filter basket
2	Motor cover	6	Rubber pads
3	Housing	7	Lower cover position
4	Magnet rotor	8	Handle

Regulations for waste disposal

The Waste Electrical and Electronic Equipment Directive (WEEE Directive, 2012/19/EU) of the EU was implemented in the German law related to electrical and electronic equipment and appliances.

All WilTec electric devices that fall under the WEEE directive are labelled with the symbol of a crossed-out wheeled rubbish bin. This symbol indicates that this electric device must not be disposed of with the domestic waste.

WilTec Technik GmbH is registered with the German registration authority EAR (Stiftung Elektro-Altgeräte Register) under the WEEE-registration number DE45283704.

Disposal of used electrical and electronic devices (intended for use in the countries of the European Union and other European countries with a separate waste collection system for these devices).

The symbol on the packaging or the product itself indicates that this product must not be treated as normal domestic waste but must be disposed of at a recycling collection station for electrical and electronic waste.

By disposing of this product correctly, you contribute to the protection of the environment and the health of your fellow people. Inappropriate disposal threatens the environment and health.



Material recycling helps to reduce the consumption of raw materials.

Additional information about the recycling of this product can be provided by your local commune, the municipal waste disposal facilities, or the store where you purchased the product.

Address:
 WilTec Wildanger Technik GmbH
 Königsbenden 12 / 28
 52249 Eschweiler Germany

Important Note:

Reproduction and any commercial use (of parts) of this operating manual, requires a written permission of WilTec Wildanger Technik GmbH.