

# Instruction manual

## Floating Fountain COP-10000

55562



Illustration similar, may vary depending on model

Please read and follow the operating instructions and safety information prior to initial operation.

Technical changes reserved!

Illustrations, functional steps and technical data may deviate insignificantly due to continuous further developments.



The information contained in this document may alter at any time without prior notice. No part of this document may be copied or otherwise duplicated without prior written consent. All rights reserved.

WilTec Wildanger Technik GmbH cannot be held liable for any possible mistakes in this operating manual, nor in the diagrams and illustrations shown.

Although WilTec Wildanger Technik GmbH has made every possible effort to ensure that this operating manual is complete, accurate, and up-to-date, errors cannot be ruled out entirely.

If you have found an error or wish to suggest an improvement, we look forward to hearing from you.

Send us an e-mail to:

[service@wiltec.info](mailto:service@wiltec.info)

or use our contact form:

<https://www.wiltec.de/contacts/>

The most recent version of this manual in several languages can be found in our online shop:

<https://www.wiltec.de/docsearch>

Our postal address is:

WilTec Wildanger Technik GmbH  
Königsbenden 12  
52249 Eschweiler Germany

To return your goods for exchange, repair, or other purposes, please use the following address. Attention! To allow for a trouble-free complaint or return, it is important to contact our customer service team before returning your goods.

Retourenabteilung  
WilTec Wildanger Technik GmbH  
Königsbenden 28  
52249 Eschweiler Germany

E-mail: **service@wiltec.info**

Phone: +49 2403 55592-0

Fax: (+49 2403 55592-15)



## Introduction

Thank you for choosing to purchase this quality product. To minimise the risk of injury, we ask you to always take some basic safety precautions when using this product. Please read this operating manual carefully and make sure that you understand it. Keep these operation instructions in a safe place.

## Range of application

This product is suitable for water temperatures between 4 °C and 35 °C. The fountain can be used in ponds, landscape wells, becks, etc. where it makes for a positive water aeration.



### Attention!

In and near standing water, garden ponds, and swimming ponds, the use of this device is only allowed with a fault current protection switch with a triggering nominal current up to 30 mA (according to VDE 0100 Article 702 and 738).

The device is not suitable for use in swimming pools, paddling pools of any kind or waters in which people or animals may stay during operation. Operation of the device with people being in the danger area is not permitted. If you have doubts or questions concerning the operation, contact an electrician.

The device is not intended for use by persons (including children) with impaired or limited physical, sensory and mental abilities or lack of experience and/or real knowledge, unless they are supervised by a person responsible for their safety or follow the instructions made by this person on how to correctly use the device. Children should be supervised to ensure that they do not play with the device.

## Safety instructions

- Perform a visual inspection of the device before every use. Do not use the device if the safety appliances are damaged or worn out. Never override safety regulations.
- Only use the device accordingly to the intended purpose stated in this manual.
- You are responsible for the safety of the working zone.
- If the cable or the plug is damaged due to external influences, the cable must not be repaired, but must be replaced with a new one. This work can only be carried out by an electrician.
- The voltage of 230 V AC indicated on the type plate of the device must match the existent mains voltage.
- Never lift, carry, or fix the device by using the power cable.
- Make sure that the electrical plug connection is protected from flood and moisture.
- Pull out the plug before maintaining.
- The user is responsible for complying with local safety and mounting regulations. If necessary, ask a qualified electrician.
- Pull out the plug before you get into contact with the water surface.
- The device must never run dry or be operated with its suction line fully closed. The manufacturer's warranty is void for damage to the device caused by dry running.
- Only use the product to pump water.

**Note!** If the water pump is overcharged (e.g., by a stuck rotor), the anti-bloc function installed inside the device automatically switches it off. After repairing the fault, the product is re-switched on and re-operated.

## Assembly

1. Insert one end of the holding rope included into the hole at the edge of the buoy (from two or three different diagonal directions).
2. Attach the other end of the rope to the holding peg.
3. To fix the product, firmly put the holding peg into the muddy edge zone of the water body.

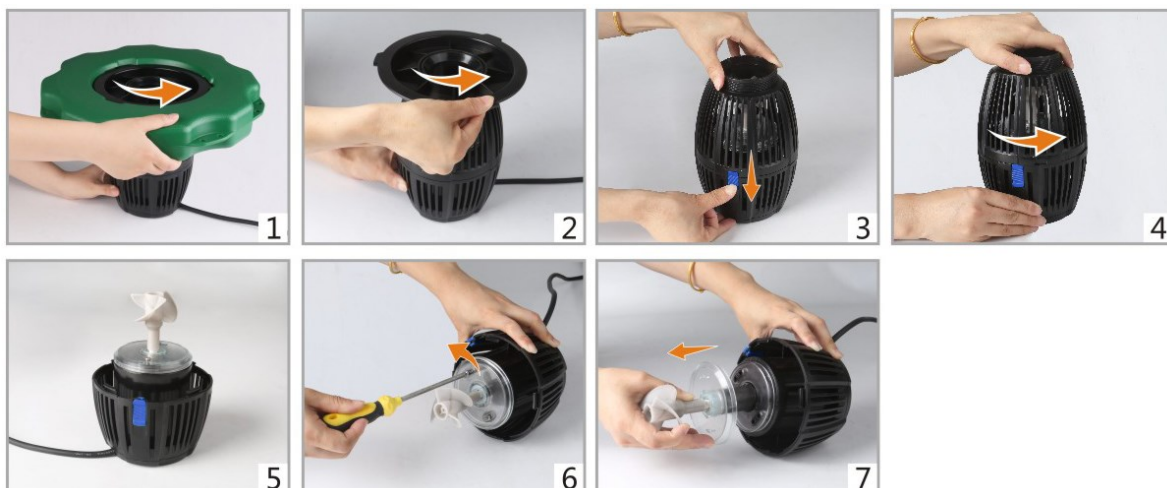
**Note!** When fixing, make sure that the motor is fully immersed in the water; otherwise, it might be damaged.



## Cleaning and maintenance

Regularly clean the pump for to allow it to keep its efficiency.

1. Hold the main part of the water pump with one hand, turning the buoy counter-clockwise with the other hand to detach the main part of the water pump from the buoy (Fig. 1).
2. Turn the mounting frame counter-clockwise and remove it (Fig. 2).
3. Slide the latch downwards (Fig. 3).
4. Turn the upper cover lid to detach it from the lower cover lid of the main part (Fig. 4 and 5).
5. Unscrew the adjusting screw to remove the rotor unit (Fig. 6 and 7).
6. To clean the individual parts, use a soft brush and clean them under running water.
7. Re-mount the individual parts of the product after cleaning.





### Storage during winter

1. Take the pump out of the water.
2. Thoroughly clean it.
3. Check the pump and power cord for damage.
4. The device must be stored in a frost-free place and in a container with as much water as possible.

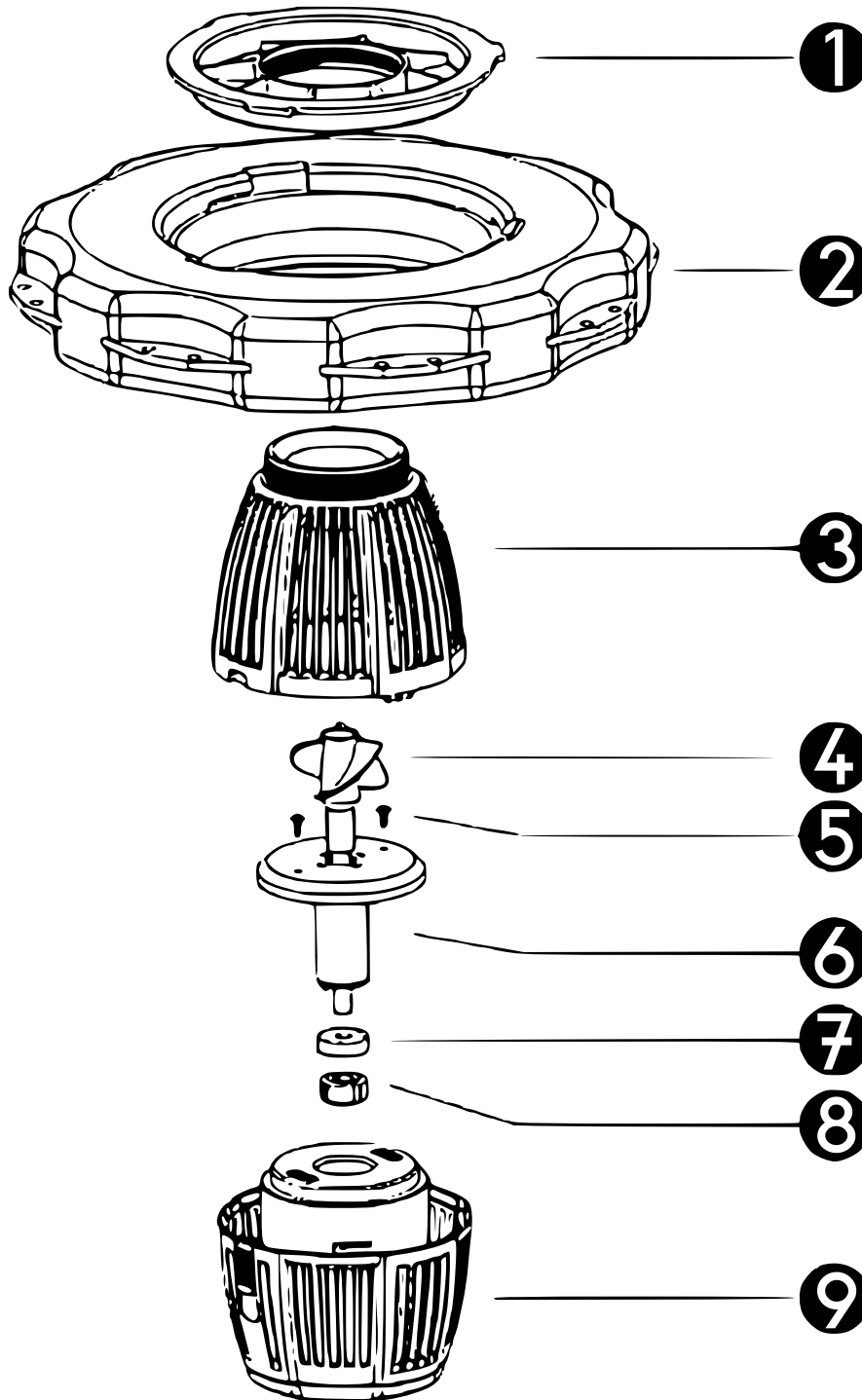
### Troubleshooting

Problem	Possible cause	Proposed solution
Pump does not start.	No mains voltage	Check energy supply.
Pump does not pump (sufficient) water.	1. Obstruction of pump housing	1. Clean pump housing.
	2. Rotor stuck	2. Thoroughly clean pump.
	3. Air in the pump	3. Re-start pump.

### Technical specifications

Model	COP-10000
Intake voltage (V)	220–240
Intake frequency (Hz)	50
Power consumption (W)	90
Height of water column (m)	1
Spraying radius (m)	3
Max. flow rate ( $\frac{l}{h}$ )	20,000
Size (mm)	275×252×420
Length of cable (m)	10

**Exploded view and parts list**



Nº	Designation	Nº	Designation
1	Mounting frame	6	Rotor
2	Buoy	7	Ceramic support
3	Water filter cover	8	Support
4	Rotor	9	Motor body
5	Screw		

## Regulations for waste disposal

The Waste Electrical and Electronic Equipment Directive (WEEE Directive, 2012/19/EU) of the EU was implemented in the German law related to electrical and electronic equipment and appliances.

All WilTec electric devices that fall under the WEEE directive are labelled with the symbol of a crossed-out wheeled rubbish bin. This symbol indicates that this electric device must not be disposed of with the domestic waste.

WilTec Technik GmbH is registered with the German registration authority EAR (Stiftung Elektro-Altgeräte Register) under the WEEE-registration number DE45283704.

Disposal of used electrical and electronic devices (intended for use in the countries of the European Union and other European countries with a separate waste collection system for these devices).

The symbol on the packaging or the product itself indicates that this product must not be treated as normal domestic waste but must be disposed of at a recycling collection station for electrical and electronic waste.

By disposing of this product correctly, you contribute to the protection of the environment and the health of your fellow people. Inappropriate disposal threatens the environment and health.



Material recycling helps to reduce the consumption of raw materials.

Additional information about the recycling of this product can be provided by your local commune, the municipal waste disposal facilities, or the store where you purchased the product.

Address:  
 WilTec Wildanger Technik GmbH  
 Königsbenden 12 / 28  
 52249 Eschweiler Germany

### Important Note:

Reproduction and any commercial use (of parts) of this operating manual, requires a written permission of WilTec Wildanger Technik GmbH.