

Operation Manual

Automatic Fish Food Dispenser CFF-206

55563



Illustration similar, may vary depending on model

Read and follow the operating instructions and safety information before using for the first time.

Technical changes reserved!

Due to further developments, illustrations, functioning steps, and technical data can differ insignificantly.

Updating the documentation

If you have suggestions for improvement or have found any irregularities, please contact us.



The information contained in this document may alter at any time without previous notice. It is prohibited to copy or spread any parts of this document in any way without prior written allowance. All rights reserved.

The WilTec Wildanger Technik GmbH cannot be held accountable for any possible mistakes in this operating manual, nor in the diagrams and figures shown.

Even though, the WilTec Wildanger Technik GmbH has undergone biggest possible efforts to ensure that the operating manual is complete, faultless, and up to date, mistakes cannot be entirely avoided.

If you should find a mistake or wish to make a suggestion for improvement, we look forward to hearing from you.

Send an e-mail to:

service@wiltec.info

or use our contact form:

<https://www.wiltec.de/contacts/>

The most recent version of this manual in various languages can be found in our online shop via:

<https://www.wiltec.de/docsearch>

Our postal address is:

WilTec Wildanger Technik GmbH
Königsbenden 12
52249 Eschweiler
Germany

To return orders for exchange, repair, or other purposes, please use the following address. Attention! To allow for a smooth execution of your complaint or return, it is important to contact our customer service team before returning the goods.

Returns Department
WilTec Wildanger Technik GmbH
Königsbenden 28
52249 Eschweiler

E-mail: **service@wiltec.info**

Tel: +49 2403 55592-0

Fax: +49 2403 55592-15



Introduction

Thank you for purchasing this quality product. **To minimise the risk of injury we urge that our clients take some basic safety precautions when using this device. Please read the operation instructions carefully and make sure you have understood its content.**

Keep these operation instructions safe.

Intended use

- The product is not intended for commercial use.
- Only use the appliance as intended. No responsibility is accepted for damage caused by failure to observe these operating instructions.
- For safety reasons, this appliance must not be used by children and young people under the age of 16 or by persons with reduced physical, sensory, or mental capabilities, or lack of experience and knowledge of how to use the product. Be sure to keep the operating instructions and pass them on to the new owner if the product is passed on.

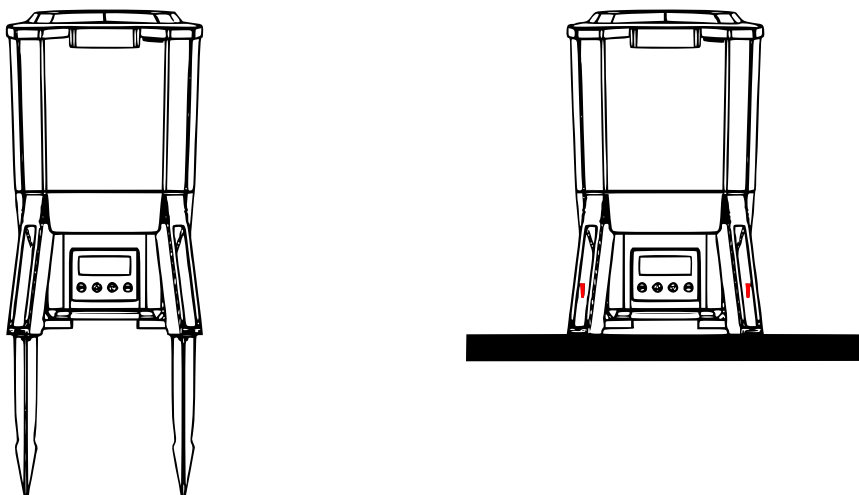
Features

- The device is powered by solar energy. Once completely charged, its 2200 mA high-performance lithium battery allows it to continuously operate for 3 months without requiring any additional sunlight or charging.
- Equipped with a charge socket for adapters (the adapter specification is 12 V and must be purchased separately).
- When not in use for longer periods of time, the switch should be closed off to prevent a potential battery leakage from affecting the service life of the device.
- With a large, high-quality display.
- The design of the newly added protective cover does not just prevent faulty activation, but also effectively protects the sensitive control panel from environmental influences and thereby improves the longevity of the device.
- Offers a capacity of 6 litres.
- Equipped with a transparent cylinder and feed.
- The device is fully automated and can be set to perform up to 6 feeding sessions a day, each with a feeding duration of up to 20 s.
- The horizontal opening covers a 120° angle during food distribution while the three different power levels ensure that the entire pond is supplied with fish food.
- The shell of the device is made of light and resilient acrylonitrile butadiene styrene (ABS) material.

Attention!

- Keep the device in a dry, frost-free place during the winter
- Ensure that the device is installed upon an even and sturdy underground granting it a secure stand and preventing it from falling into the water.
- When not in use for longer periods of time, the switch should be closed off to prevent a potential battery leakage from affecting the service life of the device.
- A buzzing sound can be heard whenever the set button is pressed.
- While setting modes, the system grants a time window of 10 s in between each input before automatically exiting the setup and returning to display the time.

Installation



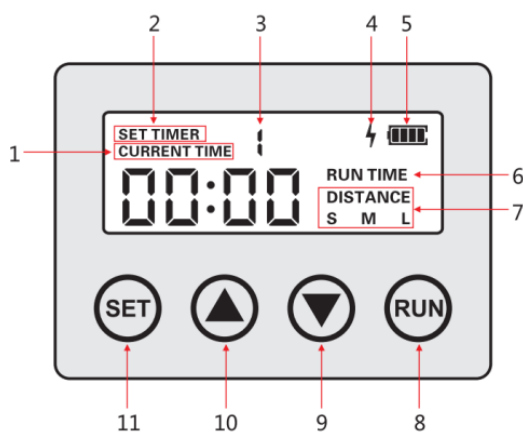
Installation option 1

Attach the ground pegs included in the scope of delivery and anchor the device in the soil.

Installation option 2

Attach the device to solid grounds with the help of screws.

Control Panel

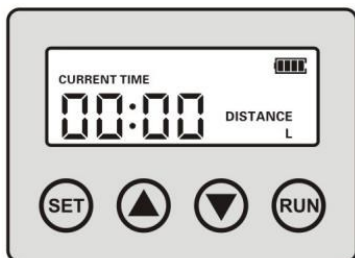


No	Name	No	Name	No	Name
1	Current time	5	Battery level indicator	9	Down
2	Feeding time	6	Feeding duration	10	Up
3	Feeding frequency	7	Feeding distance	11	Settings
4	Charge indicator	8	Manual feeding		



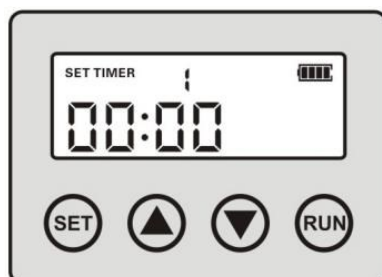
1. **Current time**
Briefly pressing the button allows for the adjustment of the current time.
2. **Feeding time**
Sets the starting time for feeding sessions.
3. **Feeding level**
Sets the frequency of daily feeding sessions with a maximum of 6 daily feeding sessions.
4. **Charge indicator**
Flickers while charging and remains visible once the battery has been charged completely.
5. **Battery level indicator**
Shows the current charge level of the battery.
6. **Feeding duration**
Sets the duration of each respective food distribution up to a max. of 20 s.
7. **Feeding distance**
Regulates the level of force with which the food is distributed.
 - **S: Small feeding radius**
Uses about 60 % motor capacity and has a distribution range of about 1 m.
 - **M: Medium feeding radius**
Uses about 80 % motor capacity and has a distribution range of about 2 m.
 - **L: Large feeding radius**
Uses about 100 % motor capacity and has a distribution range of about 3 m.
8. **Manual feeding**
Pressing and holding this button for 3 s will immediately start the feeding process.
9. **Down**
Used to decrease levels and time values.
10. **Up**
Used to increase levels and time values.
11. **Settings**
Briefly pressing this button will cause the device to switch between modes.

Settings

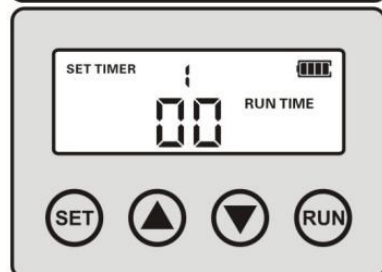


1. Turn on the device by pressing the power switch located on the case of the device. The default state interface will be displayed as depicted in figure 1. Use the "SET" button to adjust the clock of the device. Briefly pressing the "SET" button thereby will access the hour settings while pressing it a second time will access the minute settings. Use the "UP" and "DOWN" buttons to increase or decrease the respective units.

2. Another brief activation of the "SET" button will cause the letter "L" to flash on the display as the system enters the feeding distance controls. Use the "UP" and "DOWN" buttons to switch between the 3 different distribution settings. Please refer to the aforementioned control panel information for further details.



3. To set the feeding frequency, briefly press the "SET" button until the display equals figure 2. The frequency can thereby be changed up to a maximum of 6 times a day. Set the frequency as well as the time for each feeding session by using the "UP" and "DOWN" buttons.



4. When entering the feeding time settings, Use the "RUN TIME" will be shown on the display as can be seen in figure 3. The duration of each feeding session can be set with help of the "UP" and "DOWN" buttons. The duration of the food distribution can thereby be set anywhere from 0 to 20 s, with 0 s meaning that no food will be distributed.



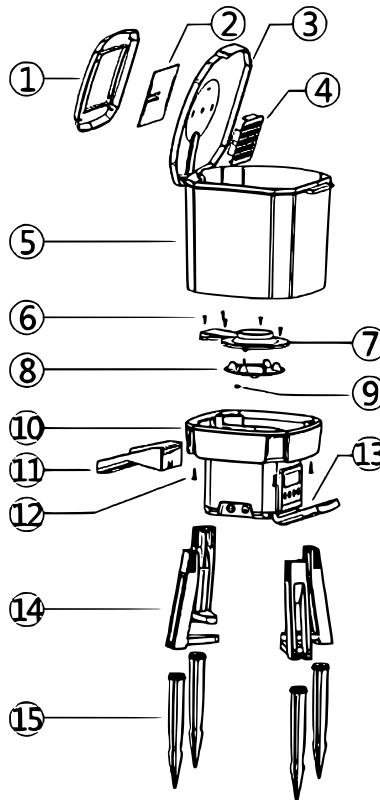
Technical Specifications

Model	CFF-206
Compatible fish food grain size (mm)	3–10
Spreading range (°)	120 (horizontal)
Tank capacity (ℓ)	6
Amount of daily feeding sessions (number)	1–6
Lithium battery capacity (mA)	2200
Adapter specification	12 V, 1.66 A
Dimensions (mm)	275 × 252 × 420

Troubleshooting

Error	Cause	Solution
Display does not work	Loosen the internal connection cable	Unscrew the screws located at the bottom and tighten them again.
	Battery has no power	Place in sunlight for solar charging Charge with 12 V adapter (adapter needs to be purchase separately)
Display works but feeding does not occur	The impeller is stuck	Clean the impeller and remove any foreign matter
The impeller rotates, but no feed distribution takes places	Clusters of feed might block the inlet	Use mashed feed

Explosions view and parts list



Nº	Name	Nº	Name
1	Transparent cover	9	Screw 2
2	Solar panel	10	Main body
3	Bucket cover	11	Feeding chute
4	Desiccant rack	12	Screw 3
5	Feeding tank	13	Protective cover
6	Screw 1	14	Foot
7	Impeller cover	15	Ground pegs
8	Impeller		

Important notice:

The reprint or reproduction, even of excerpts, and any commercial use, even in part, of this instruction manual require the written permission of WilTec Wildanger Technik GmbH.