

User's Manual

6-Door Mailbox System

60012–60014, 61746, 61751, 61762



Illustration similar, may vary depending on model

Please read and follow the operating instructions and safety information prior to initial operation.

Technical changes reserved!

Illustrations, functional steps, and technical data may deviate insignificantly due to continuous further developments.



The information contained in this document may alter at any time without prior notice. No part of this document may be copied or otherwise duplicated without prior written consent. All rights reserved. WilTec Wildanger Technik GmbH cannot be held liable for any possible mistakes in this operating manual, nor in the diagrams and illustrations shown.

Although WilTec Wildanger Technik GmbH has made every possible effort to ensure that this operating manual is complete, accurate, and up-to-date, errors cannot be ruled out entirely.

If you have found an error or wish to suggest an improvement, we look forward to hearing from you.

Send us an e-mail to:

service@wiltec.info

or use our contact form:

<https://www.wiltec.de/contacts/>

The most recent version of this manual in several languages can be found in our online shop:

<https://www.wiltec.de/docsearch>

Our postal address is:

WilTec Wildanger Technik GmbH
Königsbenden 12
52249 Eschweiler – Germany

To return your goods for exchange, repair, or other purposes, please use the following address. Attention! To allow for a trouble-free complaint or return, it is important to contact our customer service team before returning your goods.

Retourenabteilung
WilTec Wildanger Technik GmbH
Königsbenden 28
52249 Eschweiler – Germany

E-mail: **service@wiltec.info**

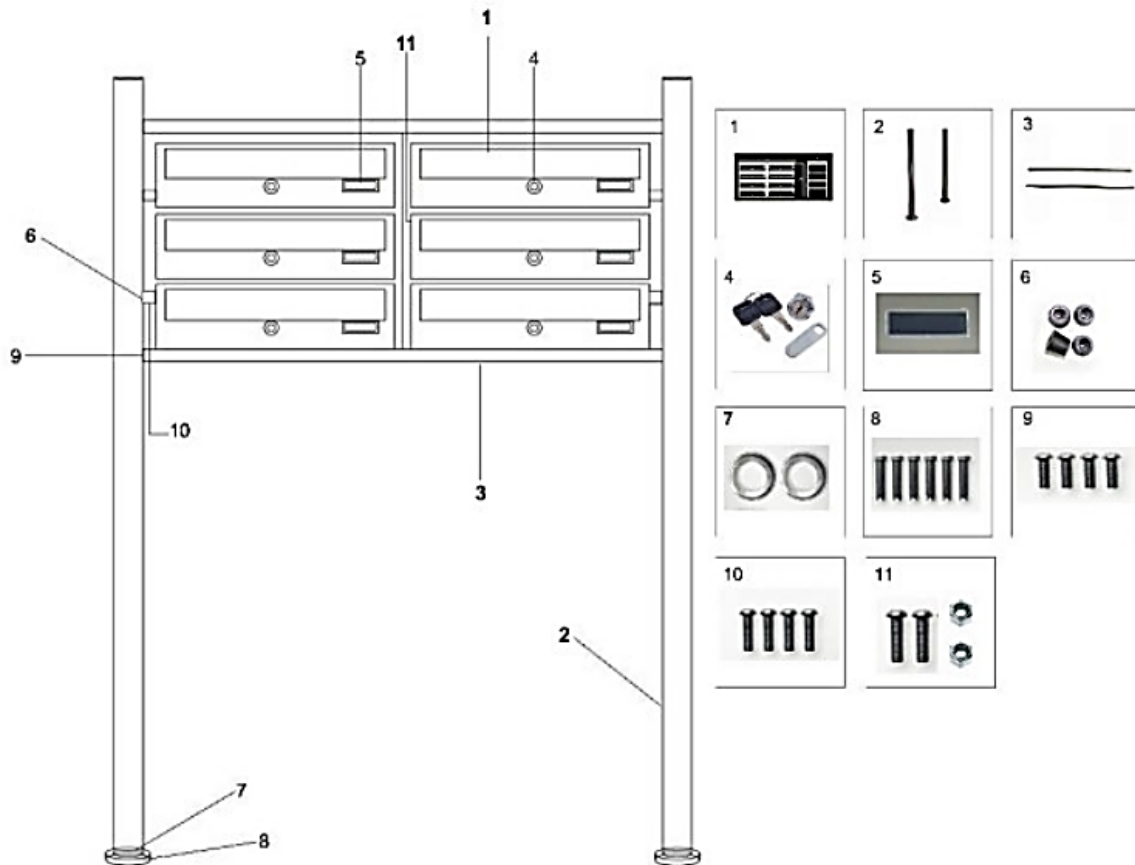
Tel: +49 2403 55592-0

Fax: +49 2403 55592-15

Introduction

Thank you for choosing to purchase this quality product. To minimise the risk of injury, we ask you to always take some basic safety precautions when using this product. Please read this operating manual carefully and make sure that you understand it. Keep these operation instructions in a safe place.

Technical drawing and parts list



Nº	Name	Nº	Name
1	Mailbox	7	Ring covers
2	Frame	8	Floor screw
3	Cross bar	9	Cross bar screw
4	Key and lock	10	Spacer screw
5	Name plate	11	Mailbox screws
6	Spacer		

Assembly instructions

Choose a suitable location to place your mailbox system. Make sure that the surface is level and that you can anchor the frame firmly with the floor screws. We recommend that you assemble the mailbox close to where it is to be installed.

- Push the ring covers **(7)** onto the frame rods **(2)**. Check that the ring is pointing in the correct direction (see fig. 1).
- Connect the frame **(2)** and the cross bars **(3)** using the screws **(9)**. Leave the assembly loose and do not fully tighten the screws yet.
- Place the frame in the location that you have chosen and mark the mounting holes for the intended location (lift the ring covers to do this).
- Set the bracket aside and drill holes at the marked locations. Then you can attach the frame **(2)** with the floor screws **(8)**. Then connect the mailbox unit **(1)** to each other using the screws **(11)**.
- Now attach the mailboxes **(1)** with the spacers **(6)** between the bars of the frame **(2)**. Use the spacer screws **(10)** for this.
- Now tighten all the screws and finally attach the name tags **(5)** to the desired locations.



Figure 1

Technical specifications

	60012	60013	60014	61746	61751	61762
Total dimensions (mm)	770 × 270 × 354					
Dimensions of foot (mm)	1200 × Ø 50 / 78	1200 × Ø 50 / 78	1200 × Ø 50 / 78	1200 × Ø 49 / 85	1195 × Ø 49 / 85	1500 × Ø 49 / 85
Number of individual boxes	6					

Important Note:

Reproduction and any commercial use (of parts) of this operating manual, requires a written permission of WilTec Wildanger Technik GmbH.