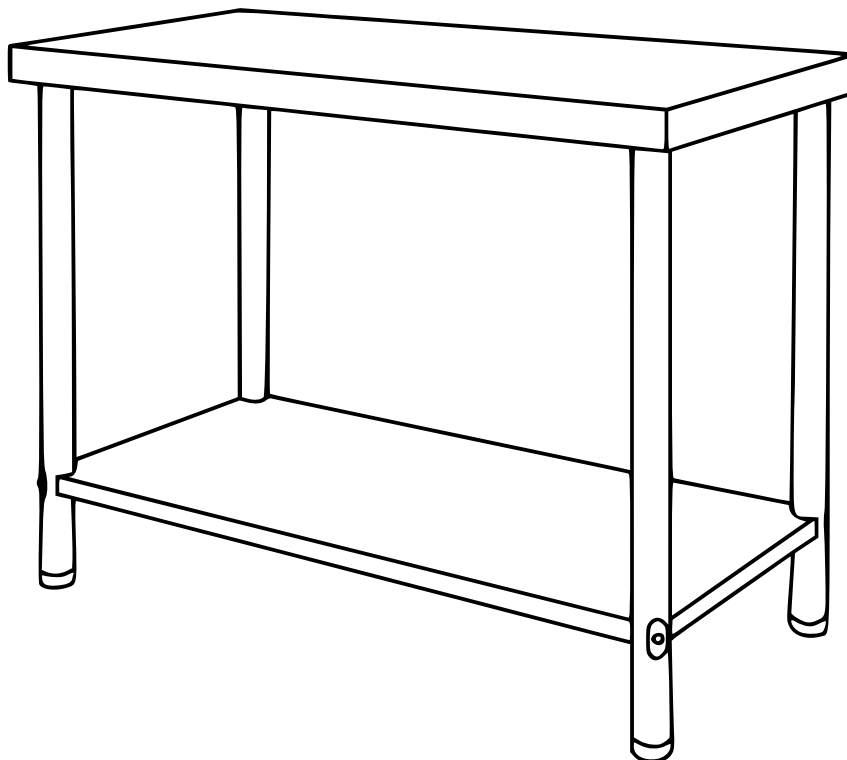
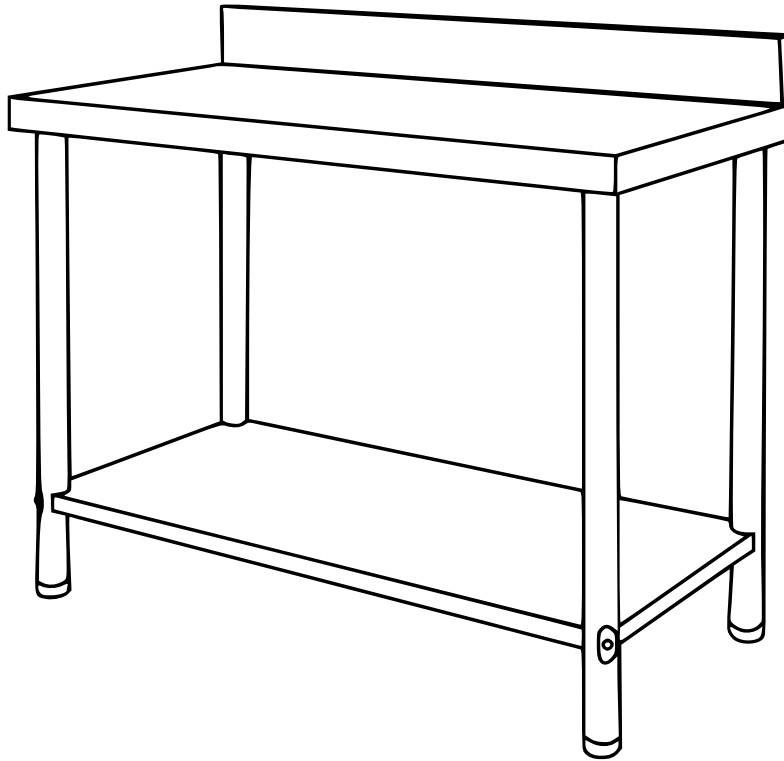




60042-60045 – Stainless Steel Working Table





Parts list

Models equipped with back panel

No	Name	Size (mm)	Qty.	Fig.
1	Upper board	1000/1200/1500×600×55	1	
2	Back panel	1000/1200/1500×110×40	1	
3	Lower board	935/1135/1435×535×30	1	
4	Table legs	∅50×800	4	
5	Screws for legs fixing to 1	M8×16	12	
6	Screws for legs fixing to 3	M8×75	4	
7	Nuts to 6	M8	4	
8	Screws for fixing 2 to 1	M5×18	4	
9	Washers to 6	50×30	4	
10	Fixing tool	30×80	1	



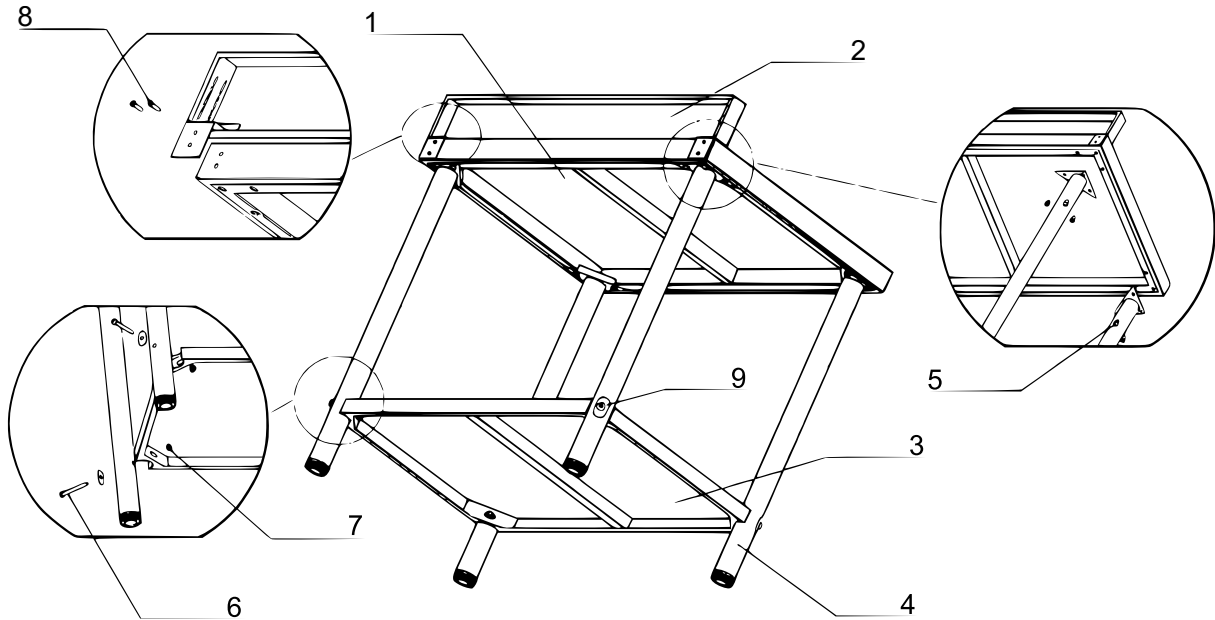
Models unprovided with back panel

No	Name	Size (mm)	Qty.	Fig.
1	Upper board	1000/1200/1500×600×55	1	
2	Lower board	935/1135/1435×535×30	1	
3	Table legs	∅50×800	4	
4	Screws for legs fixing to 1	M8×16	12	
5	Screws for legs fixing to 2	M8×75	4	
6	Nuts to 5	M8	4	
7	Washers to 5	50×30	4	
8	Fixing tool	30×80	1	

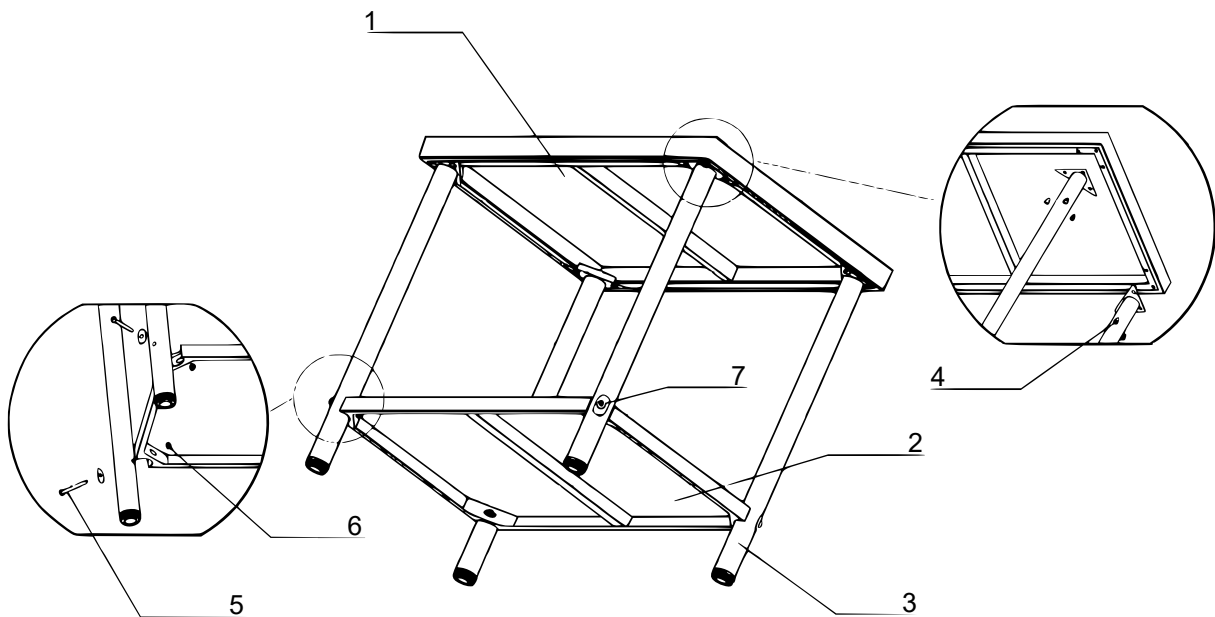


Assembly

Models equipped with back panel



Models unprovided with back panel



Important Note:

Reproduction and any commercial use (of parts) of this operating manual, requires a written permission of WilTec Wildanger Technik GmbH.