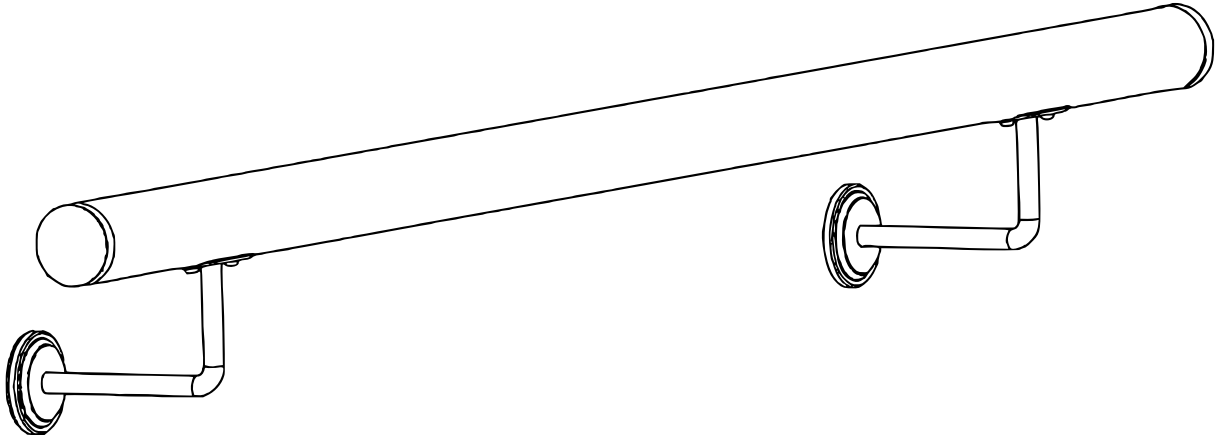
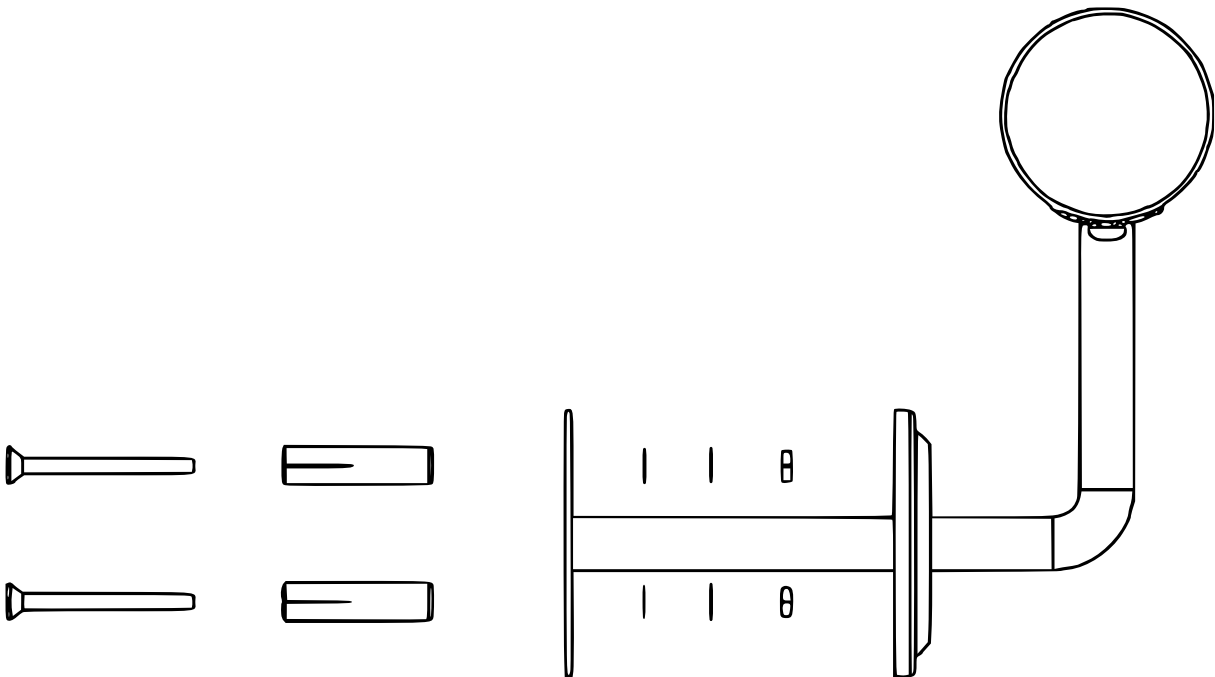


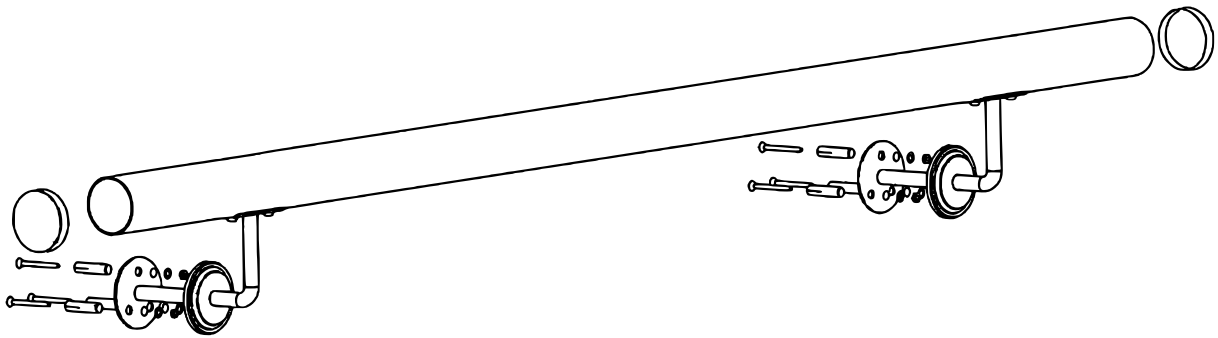
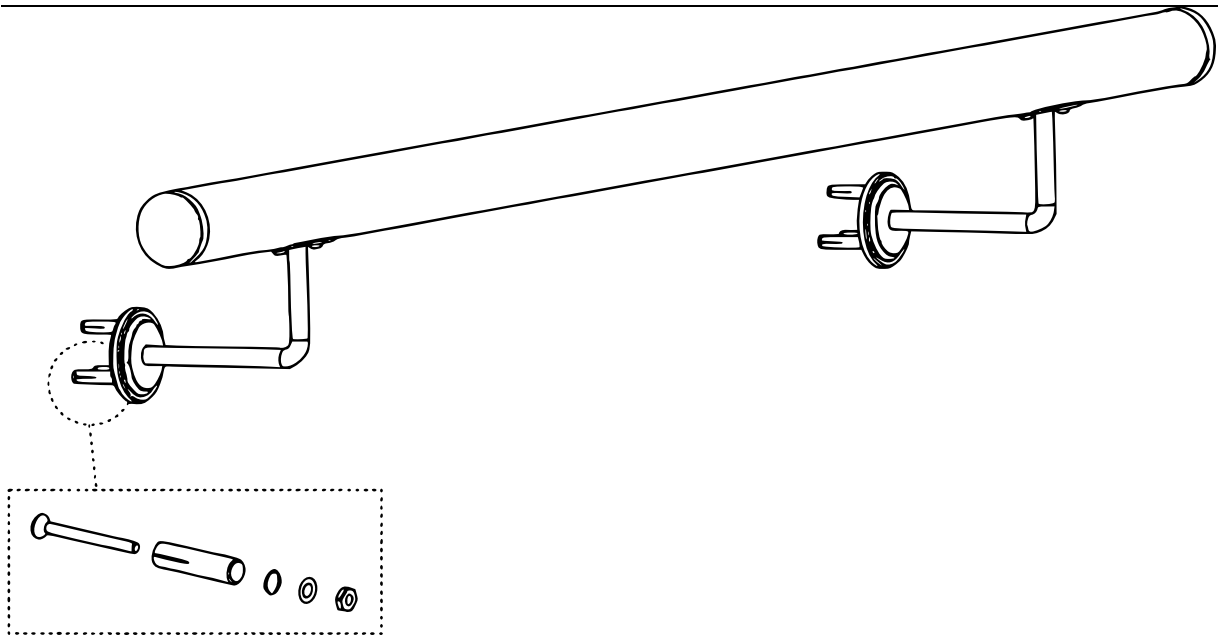


60068–60083, 60771–60818 – Handrail Set



| Letter | Name | Qty. | Figure |
|--------|----------------|------|--------|
| A | Handrail | 1 | |
| B | Cover cap | 2 | |
| C | Concrete dowel | 6 | |





Important note:

The reprint or reproduction, even of excerpts, and any commercial use, even in part of this instruction manual requires the written permission of the WilTec Wildanger Technik GmbH.