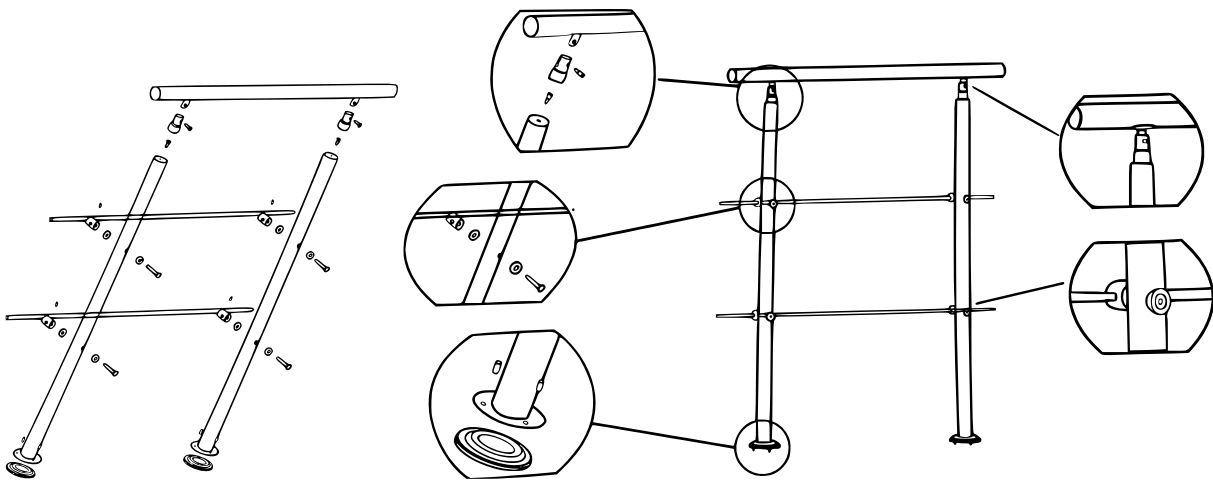
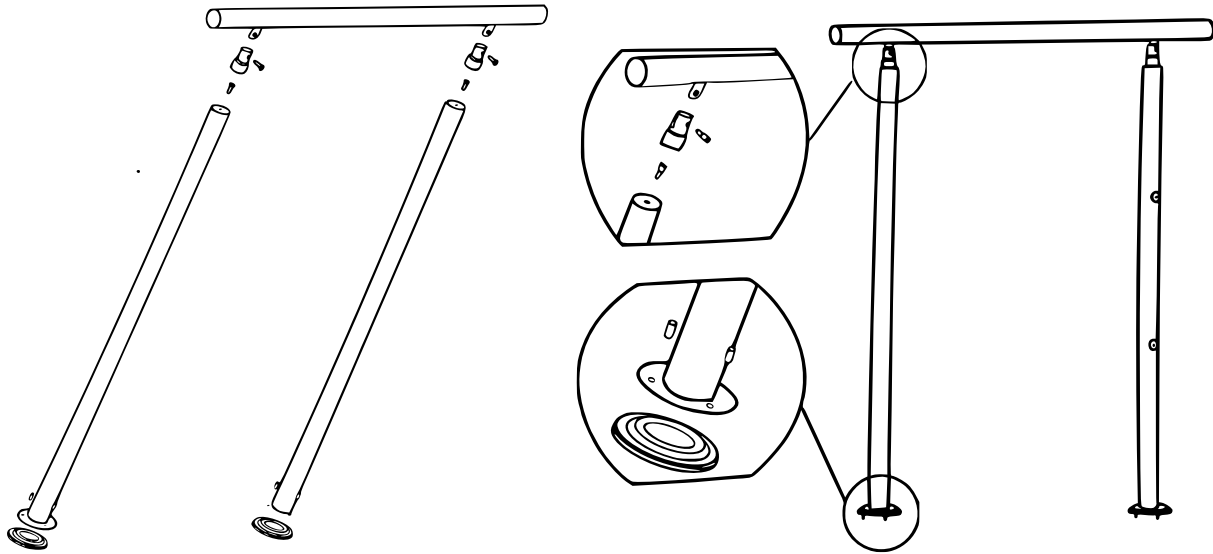




60090-60119 – Banister rail



Important note:

The reprint or reproduction, even of excerpts, and any commercial use, even in part of this instruction manual requires the written permission of the WilTec Wildanger Technik GmbH.