

Operation Manual

Wall-mounted Workshop Cabinet

60237

wiltec

^

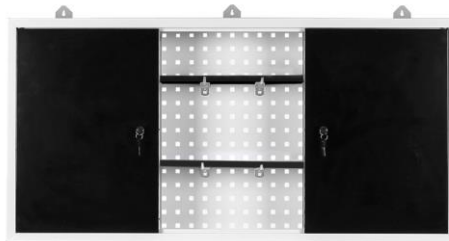


Illustration similar, may vary depending on model

Read and follow the operating instructions and safety information before using for the first time.

Technical changes reserved!

Due to further developments, illustrations, functioning steps, and technical data can differ insignificantly.

Updating the documentation

If you have suggestions for improvement or have found any irregularities, please contact us.



The information contained in this document may alter at any time without previous notice. It is prohibited to copy or spread any parts of this document in any way without prior written allowance. All rights reserved.

The WilTec Wildanger Technik GmbH cannot be held accountable for any possible mistakes in this operating manual, nor in the diagrams and figures shown.

Even though, the WilTec Wildanger Technik GmbH has undergone biggest possible efforts to ensure that the operating manual is complete, faultless, and up to date, mistakes cannot be entirely avoided.

If you should find a mistake or wish to make a suggestion for improvement, we look forward to hearing from you.

Send an e-mail to:

service@wiltec.info

or use our contact form:

<https://www.wiltec.de/contacts/>

The most recent version of this manual in various languages can be found in our online shop via:

<https://www.wiltec.de/docsearch>

Our postal address is:

WilTec Wildanger Technik GmbH
Königsbenden 12
52249 Eschweiler
Germany

To return orders for exchange, repair, or other purposes, please use the following address. Attention! To allow for a smooth execution of your complaint or return, it is important to contact our customer service team before returning the goods.

Returns Department
WilTec Wildanger Technik GmbH
Königsbenden 28
52249 Eschweiler

E-mail: **service@wiltec.info**

Tel: +49 2403 55592-0


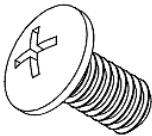


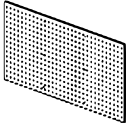
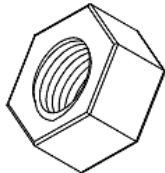
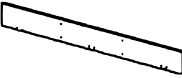
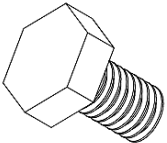

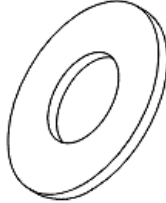
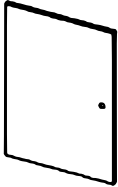
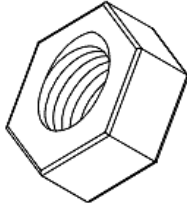
Fax: +49 2403 55592-15

Introduction


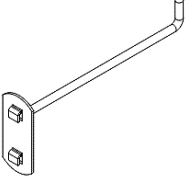

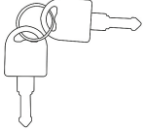
Thank you for purchasing this quality product. **To minimise the risk of injury we urge that our clients take some basic safety precautions when using this device. Please read the operation instructions carefully and make sure you have understood its content.**

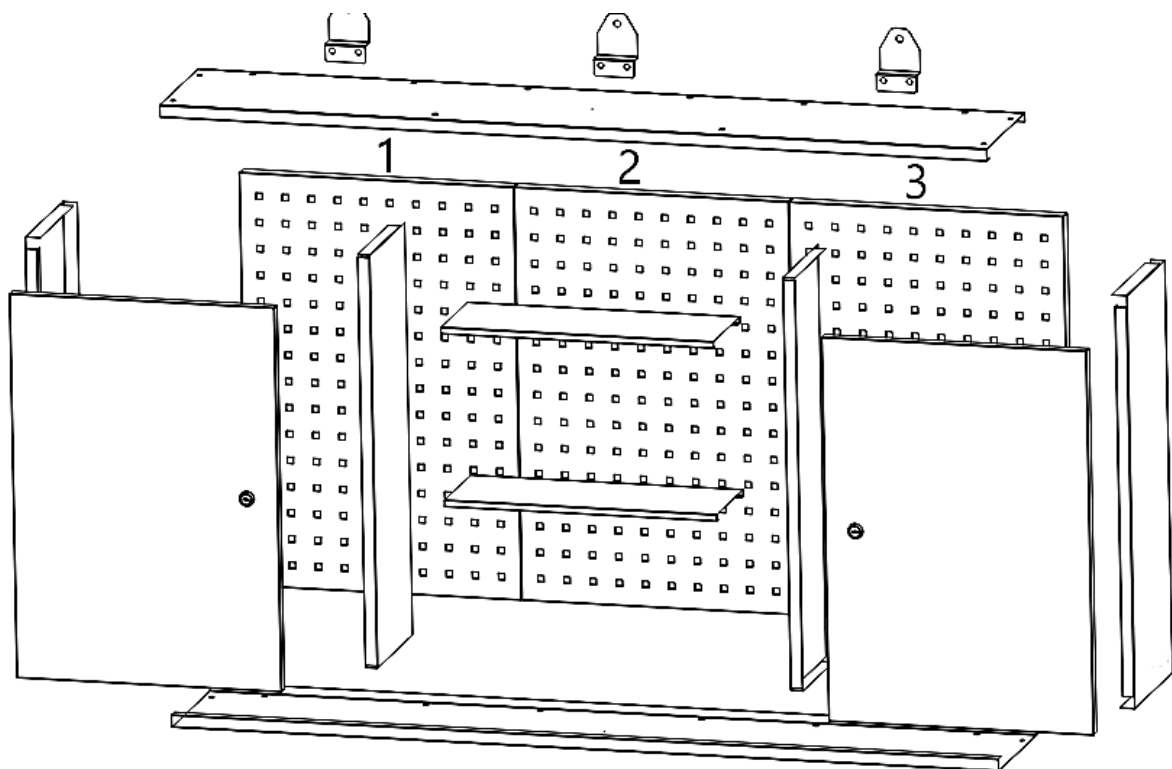
Keep these operation instructions safe.

Parts list

No	Name	Figure	Qty.	No	Name	Figure	Qty.
1a	Left side panel		1	8	Screw M6×10		32
1b	Right side panel		1	9	Washer M6		32
2	Perforated wall		3	10	Nut M6		32
3	Cover panel		2	11	Hexagon screw M8×14		6
4	Divider		2	12	Washer M8		6
5	Door		2	13	Nut M8		6



6	Shelf board		2	14	Hook		6
7	Wall holder		3	15	Keys		4



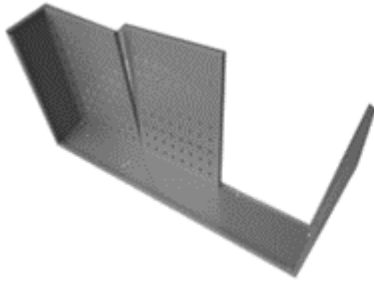
Assembly



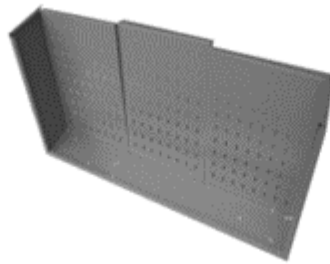
(1)



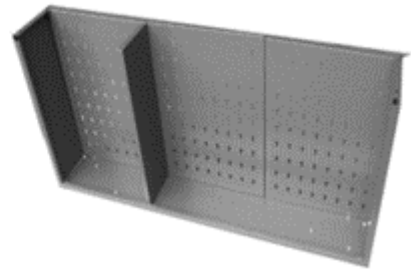
(2)



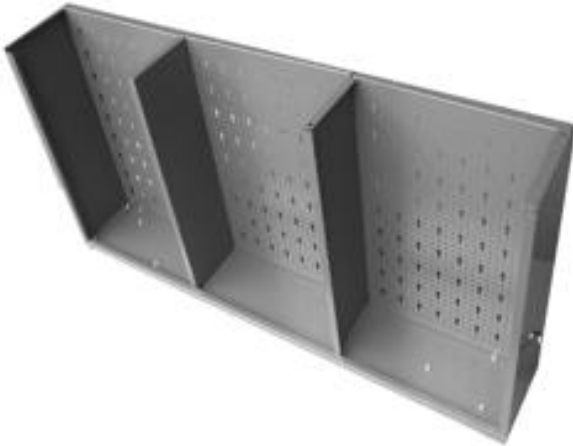
(3)



(4)



(5)



(6)



(7)



(8)



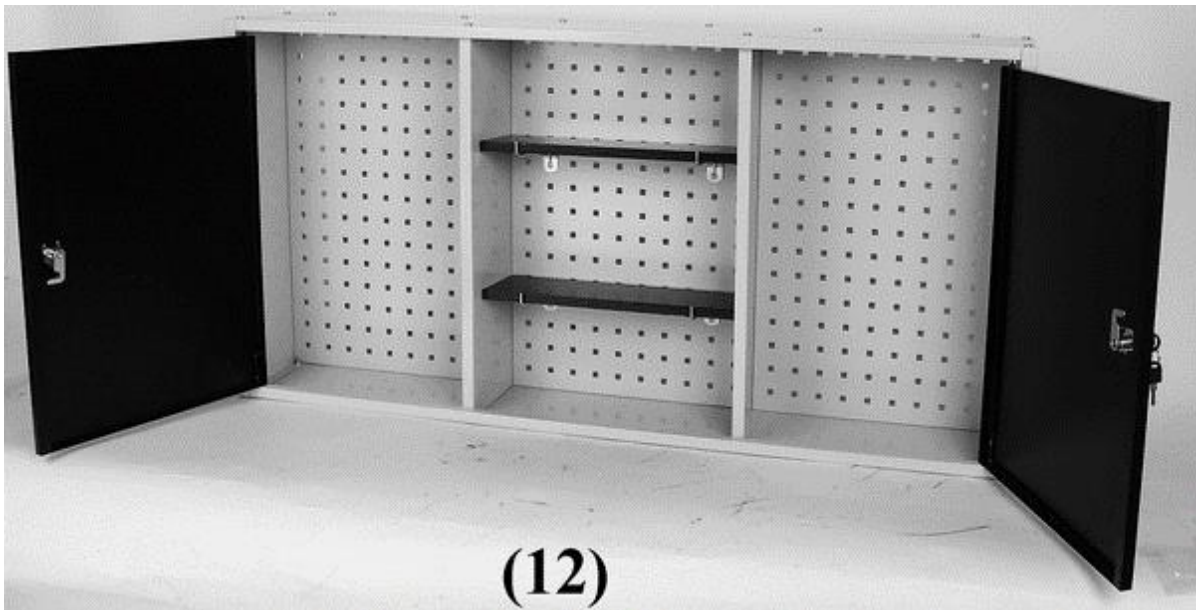
(9)



(10)



(11)



(12)

Now insert the shelf boards and tighten all screws and connectors.



(13) – Fix wall holders.

Important notice:

The reprint or reproduction, even of excerpts, and any commercial use, even in part, of this instruction manual require the written permission of WilTec Wildanger Technik GmbH.