

Operation Manual

Workbench with Cupboard

60238



Illustration similar, may vary depending on model

Read and follow the operating instructions and safety information before using for the first time.

Technical changes reserved!

Due to further developments, illustrations, functioning steps, and technical data can differ insignificantly.

Updating the documentation

If you have suggestions for improvement or have found any irregularities, please contact us.



The information contained in this document may alter at any time without previous notice. It is prohibited to copy or spread any parts of this document in any way without prior written allowance. All rights reserved.

The WilTec Wildanger Technik GmbH cannot be held accountable for any possible mistakes in this operating manual, nor in the diagrams and figures shown.

Even though, the WilTec Wildanger Technik GmbH has undergone biggest possible efforts to ensure that the operating manual is complete, faultless, and up to date, mistakes cannot be entirely avoided.

If you should find a mistake or wish to make a suggestion for improvement, we look forward to hearing from you.

Send an e-mail to:

service@wiltec.info

or use our contact form:

<https://www.wiltec.de/contacts/>

The most recent version of this manual in various languages can be found in our online shop via:

<https://www.wiltec.de/docsearch>

Our postal address is:

WilTec Wildanger Technik GmbH
Königsbenden 12
52249 Eschweiler
Germany

To return orders for exchange, repair, or other purposes, please use the following address. Attention! To allow for a smooth execution of your complaint or return, it is important to contact our customer service team before returning the goods.

Returns Department
WilTec Wildanger Technik GmbH
Königsbenden 28
52249 Eschweiler

E-mail: **service@wiltec.info**

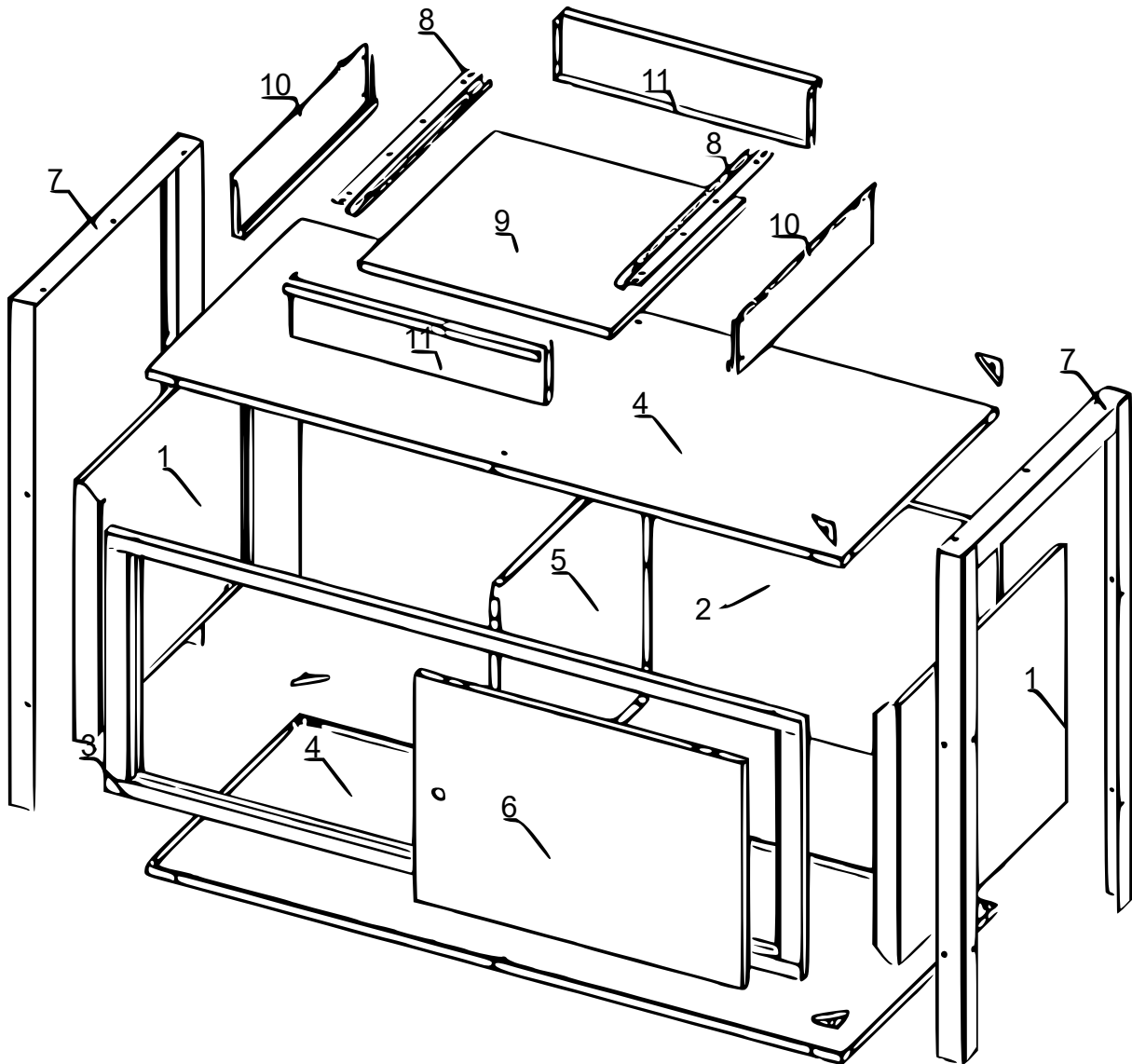
Tel: +49 2403 55592-0

Fax: +49 2403 55592-15

Introduction

Thank you for purchasing this quality product. **To minimise the risk of injury we urge that our clients take some basic safety precautions when using this device. Please read the operation instructions carefully and make sure you have understood its content.** Keep these operation instructions safe.

Parts list

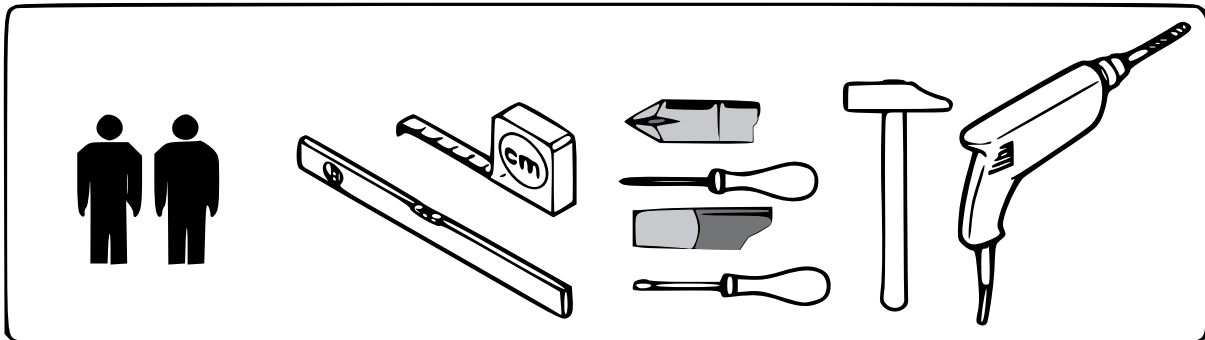




No	Name	Figure	Qty.	No	Name	Figure	Qty.
1a	Left side panel		1	10	Drawer side panel		2
1b	Right side panel		1	11	Drawer front panel		1
2	Perforated wall		1	12	Drawer back panel		1
3	Front frame		1	13	Washer		1
4	Cover panel		2	14	Stand		2
5	Divider		1	15	Upper door hinge		1
6	Door		1	16	Lower door hinge		1
7	Table leg		2	17	Self-locking screw		2
8	Sliding rail		2	18	Tapping screw		2
9	Drawer bottom		1				

Assembly

We recommend the following tools for assembly (not included in the delivery):

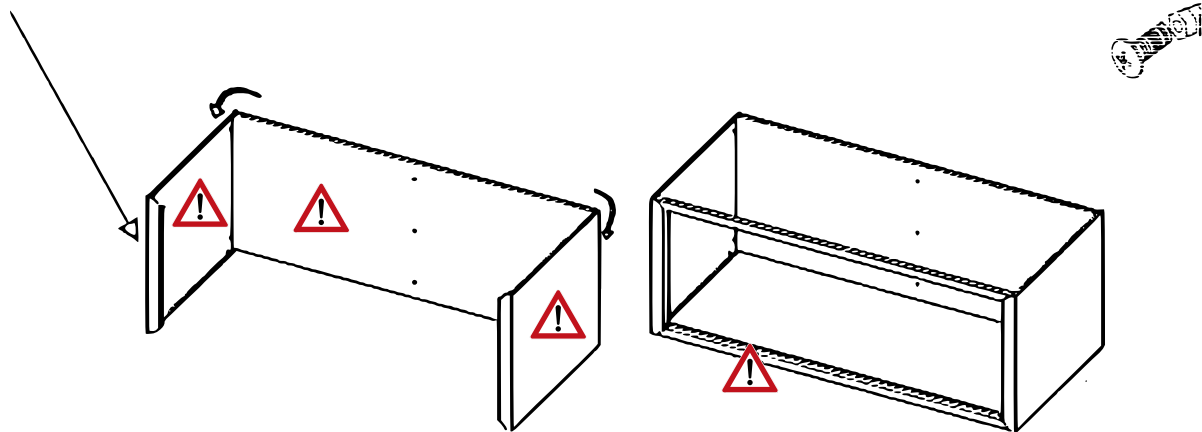


At least 2 persons should assemble the product.

Note: Only use suitable tools for the assembly and regard all safety notes. Wear adequate working gear (slim-fitting tops, working trousers, gloves, working shoes and if necessary protective glasses and respiratory protection).

Step 1: Mounting the side panels

1. Place the left side panel and connect it to the back wall via the groove, so that both elements form one line.
2. Then turn the left side panel vertically inwards at a 90° angle. Ensure that the rails for the doors are facing inward as well. Repeat the procedure for the right-side panel (**fig. 1**).
3. Mount the front frame with the tapping screws (**fig. 2**).

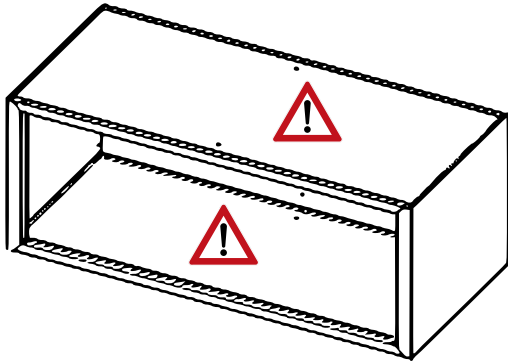


Step 1 / Fig. 1

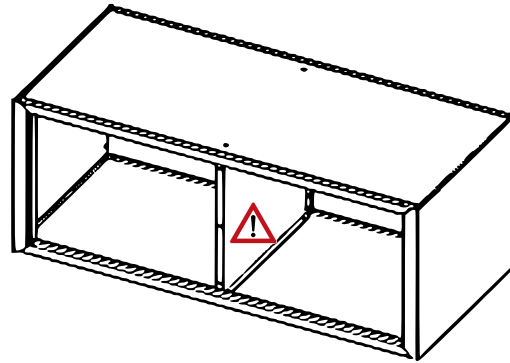
Step 1 / Fig. 2

Step 2: Mounting the upper surface, floor, and dividers

1. Place the upper surface onto the side panels and the back wall. Use the tapping screws to attach it (**fig. 3**).
2. Turn the cabinet around to attach the floor (**fig. 3**).
3. Then push the divider slightly tilted into the cabinet. Place it vertically and fix it with the tapping screws (**fig. 4**).



Step 2 / Fig. 3



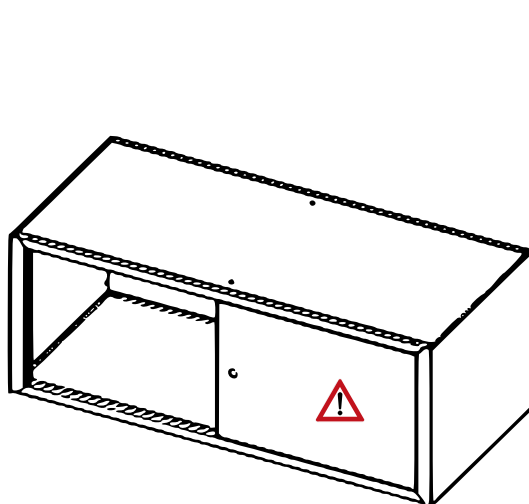
Step 2 / Fig. 4

Step 3: Mounting the doors

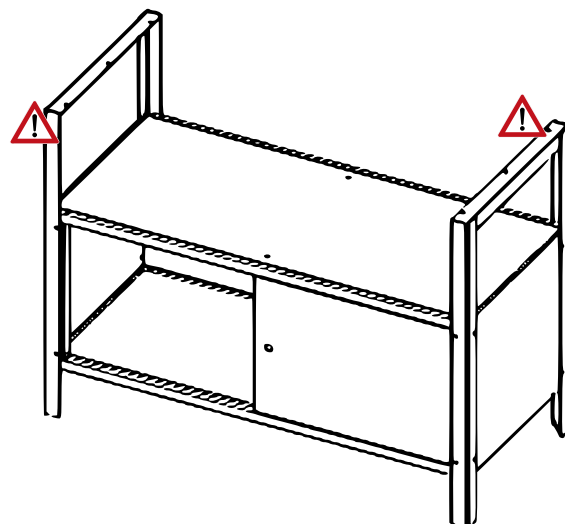
1. Place one of the lower door hinges into the pre-drilled hole of the bottom rail. A plastic washer needs to be placed on top of that (**fig. 5b**).
2. Place the door on the bottom hinge.
3. Then adjust the door, ensure that the top hole of the door matches up with that of the cover panel. Then attach the upper door hinge (**fig. 5**).



Step 3 / Fig. 5b



Step 3 / Fig. 5



Step 4 / Fig. 6

Step 4: Mounting the legs

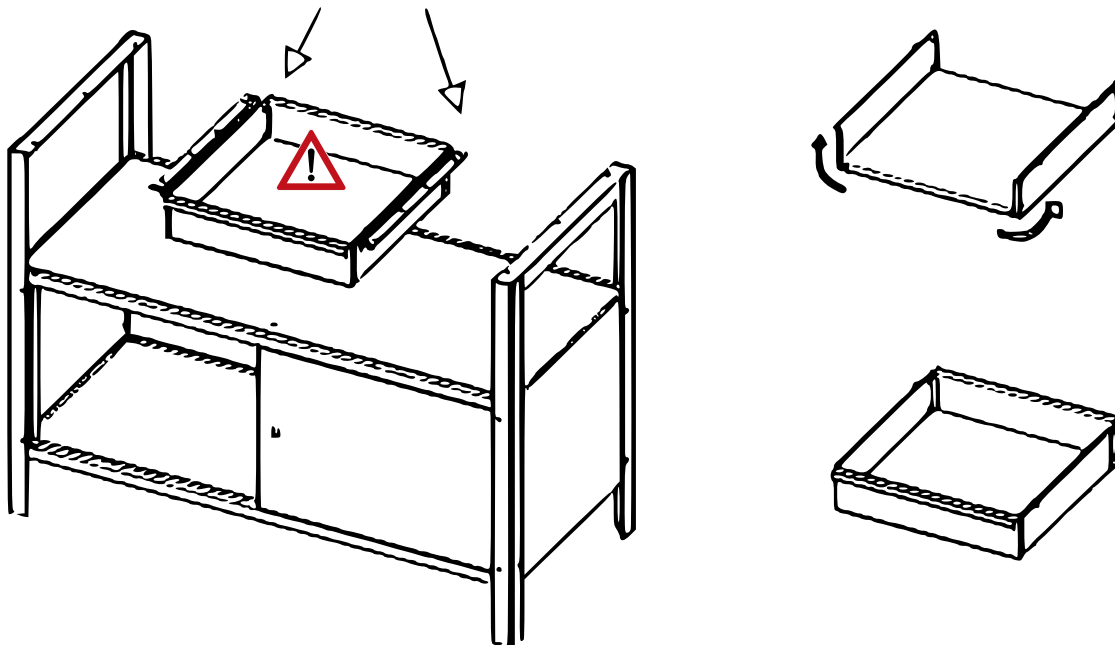
1. Place the furniture into its regular positioning again and place the metal frames on each side of the cabinet.
2. Attach the table legs with the included angled tapping screws (**fig. 6**).
3. Then attach the stands to the table legs (**fig. 7**).



Step 4 / Fig. 7

Step 5: Mounting the drawers

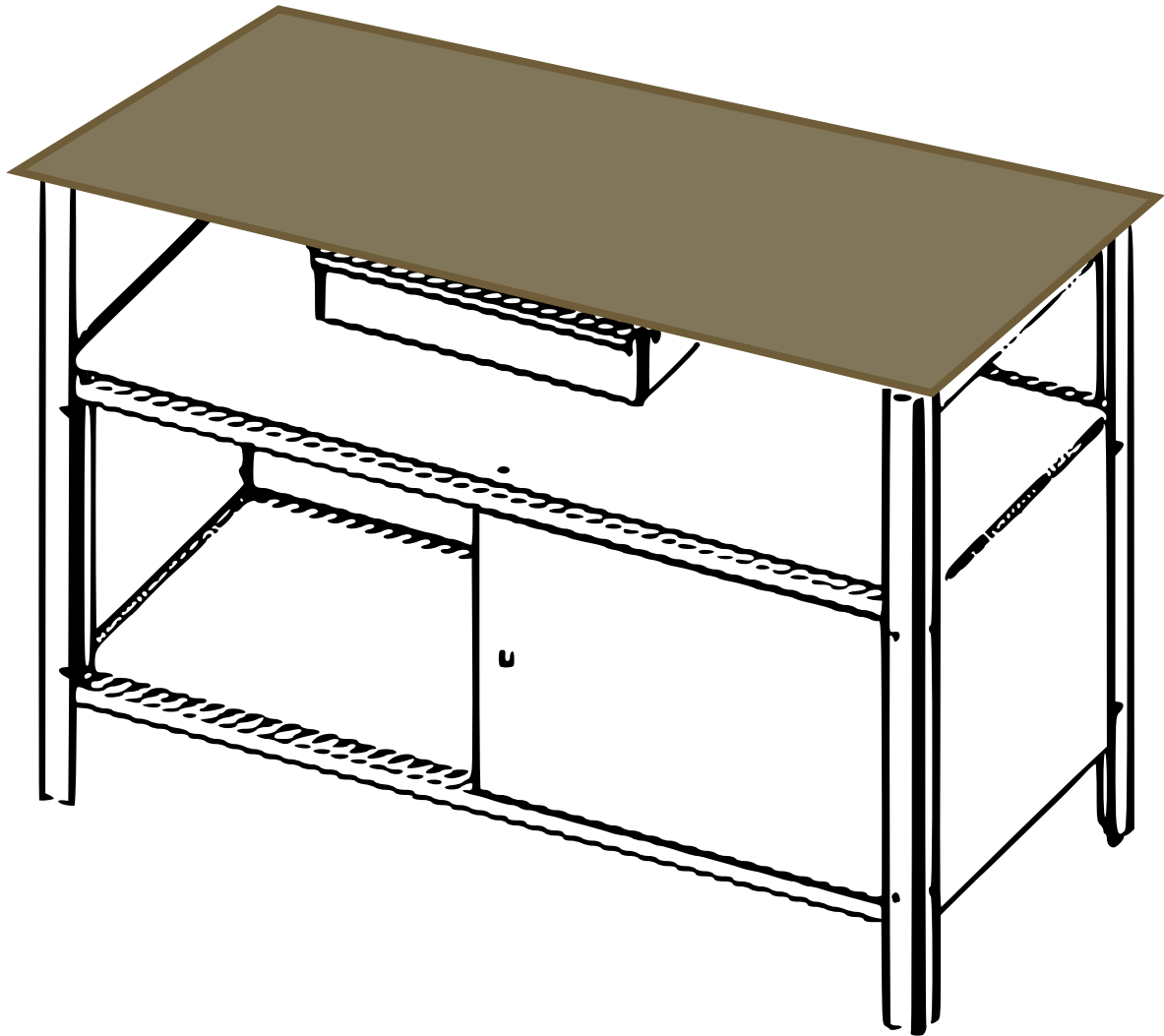
1. First, connect the right and left side panels of the drawer with the bottom panel of the drawer and then lift it (**fig. 8**).
2. Then connect the front and back panel of the drawer via the tapping screws to the drawer (**fig. 8**).
3. Then place the metal rails on the right and left side of the drawer (**fig. 8**).



Step 5 / Fig. 8

Step 6: Mounting the worktop

1. Finally mount the work surface onto the frame. On each side of the frame there are three holes, which are used to connect the frame with the work surface via tapping screws.
2. The drawer can then be mounted beneath the work surface (**fig. 9**).



Step 6 / Fig. 9

Cleaning and care

- Clean the cabinet with a neutral cleaning detergent. Do not use any acidic or abrasive cleaning detergents or sponges. These might damage the cabinet.
- Do not expose the cabinet to any weathering influences, as it can have a negative impact on the surface of the cabinet and its durability.
- Clean the cabinet with a damp, soft cloth and wipe it afterwards with a clean dry cloth.

Important notice:

The reprint or reproduction, even of excerpts, and any commercial use, even in part, of this instruction manual require the written permission of WilTec Wildanger Technik GmbH.