

# Operation Manual

## Panel Radiator

60259–60262

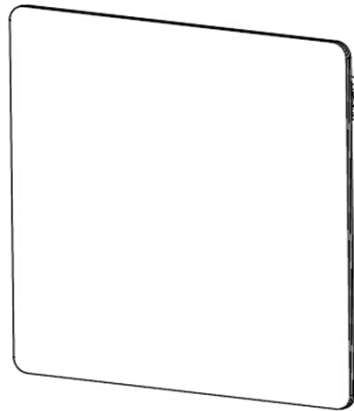


Illustration similar, may vary depending on model

Read and follow the operating instructions and safety information before using for the first time.

Technical changes reserved!

Due to further developments, illustrations, functioning steps, and technical data can differ insignificantly.

Updating the documentation

If you have suggestions for improvement or have found any irregularities, please contact us.



The information contained in this document may alter at any time without previous notice. It is prohibited to copy or spread any parts of this document in any way without prior written allowance. All rights reserved.

The WilTec Wildanger Technik GmbH cannot be held accountable for any possible mistakes in this operating manual, nor in the diagrams and figures shown.

Even though, the WilTec Wildanger Technik GmbH has undergone biggest possible efforts to ensure that the operating manual is complete, faultless, and up to date, mistakes cannot be entirely avoided.

If you should find a mistake or wish to make a suggestion for improvement, we look forward to hearing from you.

Send an e-mail to:

[service@wiltec.info](mailto:service@wiltec.info)

or use our contact form:

<https://www.wiltec.de/contacts/>

The most recent version of this manual in various languages can be found in our online shop via:

<https://www.wiltec.de/docsearch>

Our postal address is:

WilTec Wildanger Technik GmbH  
Königsbenden 12  
52249 Eschweiler  
Germany

To return orders for exchange, repair, or other purposes, please use the following address. Attention! To allow for a smooth execution of your complaint or return, it is important to contact our customer service team before returning the goods.

Returns Department  
WilTec Wildanger Technik GmbH  
Königsbenden 28  
52249 Eschweiler

E-mail: **service@wiltec.info**

Tel: +49 2403 55592-0

Fax: +49 2403 55592-15



## Introduction

Thank you for purchasing this quality product. **To minimise the risk of injury we urge that our clients take some basic safety precautions when using this device. Please read the operation instructions carefully and make sure you have understood its content.**

Keep these operation instructions safe.

## Important Safety Instructions

**Read and keep them for future reference!**

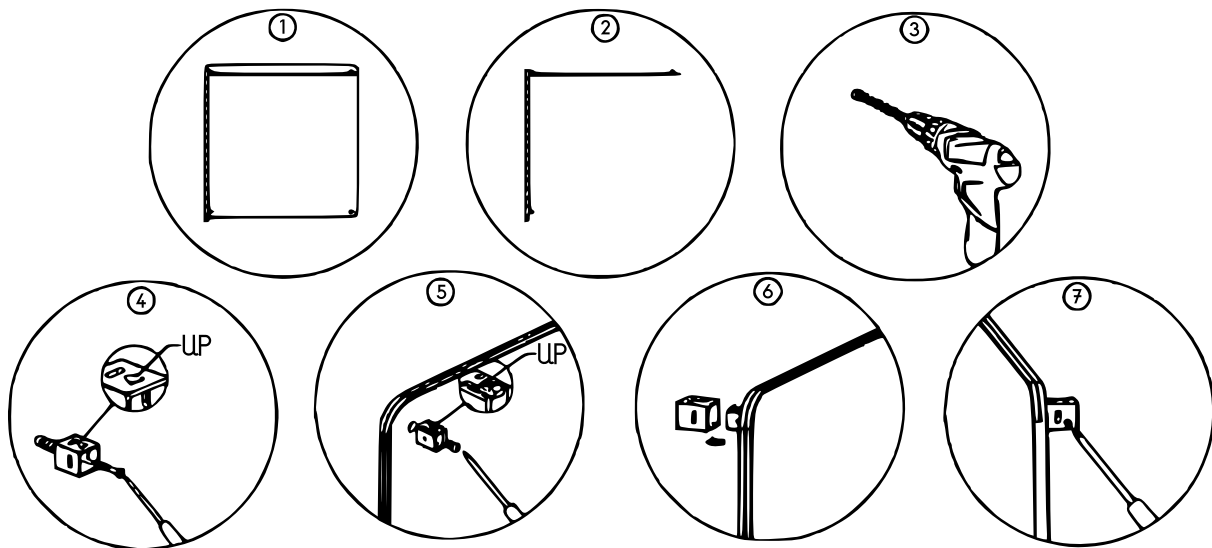
**When using electrical equipment, basic precautions should always be taken to reduce the risk of fire, electric shock, and personal injury, including the following:**

- Read all instructions thoroughly before using this heater.
- Do not use this heater in the immediate vicinity of a bathtub, shower, or swimming pool. **Warning!** The heater is not equipped with a device for room temperature control.
- Do not use this heater in small rooms if there are people in the room who cannot leave the room on their own, unless they are under constant supervision.
- Children must not be near the device unless they are continuously supervised.
- Children may only switch the appliance on/off if it has been correctly placed and installed in its intended normal operating position and they receive appropriate instructions or supervision for the safe use of the appliance and understand the hazards involved. Children should not connect, set, clean, or maintain the device.
- This device may be used by children aged 8 years or older and by people with reduced physical, sensory, or mental abilities or lack of experience and knowledge if they have received adequate supervision or detailed instructions for the safe use of the device and understand the hazards associated with its use. Children are not allowed to play with the device. Cleaning and user-maintenance must not be carried out by children without supervision.
- If the power cord is damaged, it must be replaced by a qualified technician. The cable must be replaced before the device is put into operation to avoid any hazards.
- **Attention!** Some parts of this product may get very hot and create burns. Special attention is required when children and vulnerable people are present.
- To avoid overheating, the heater must under no circumstances be covered.
- The heater must not be used if the glass panels are damaged.
- The heater must not be installed directly below a wall socket.
- Do not use this heater with an external programmed timer or any other device that automatically turns the heater on, as there is a risk of fire if the heater is covered or incorrectly installed.
- The heater gets hot when in use. To avoid burns, do not bring bare skin into contact with hot surfaces. Keep flammable materials such as furniture, pillows, bedding, paper, clothing, and curtains at least 0.9 m (3 feet) from the front, sides and back of the heater.
- Extreme caution is necessary when using this heater near children or disadvantaged people and when leaving the heater unattended.
- Always disconnect the heater from the mains when it is not in use.
- Do not operate the heater with a damaged cable, plug or after other malfunctions have occurred, the heater has been dropped or damaged otherwise. Take it to a qualified technician for inspection, electrical/mechanical adjustment, or repair.
- For indoor use only. For wall mounting only. Do not use outside.
- This heater is not intended for use in bathrooms, laundry rooms and similar indoor areas. Never position the heater so that it can fall into the bathtub or other water containers.
- Do not place the power cord under any materials. Do not cover the power cord with rugs, runners, or similar covers. Do not operate the heater after malfunctions have occurred. Do not operate the heater when the alarm sounds (or lights up). Disconnect the power connection and have the heater checked by a qualified electrician before reusing it.
- To prevent possible fire, the space between the heater and the wall intended for the air inlet or outlet must not be blocked in any way.
- This heater has hot and sparking parts inside. Do not use in areas where petrol, paint or flammable liquids are stored or used.

- Use the heater only as described in this manual. Any other use than the one described in this manual is not recommended by the manufacturer and may result in fire, electric shock, or personal injury.
- Avoid using an extension cord as the extension cord may overheat and pose a potential fire hazard.
- To avoid overloading a circuit, the heater must not be connected to a circuit (e.g., multi socket) to which other devices are already connected. Do not connect the heater below a socket.
- It is normal for the plug to feel warm. However, a loose fit between the outlet (plug-socket) and the plug can cause overheating and deformation of the plug. Contact a qualified electrician to replace loose or worn sockets.
- The performance of this heater can vary and the temperature can be so intense that skin can burn. This heater is not recommended for people with reduced heat sensitivity or an inability to react to burns.

### Unpacking and mounting to the wall

1. Unpack the heater and the included equipment.
2. Mark the positions of the four holes on the wall. (The heater must be installed 0.2 m–1.5 m above the floor and 1.0 m below the ceiling).
3. Drill the holes from the accessory pack using the drill attachment.
4. Fit the extension tube (the side with arrows should be upside down) into the holes and fix it with the screws (ST4×45 mm).
5. Mount the plastic fasteners (the side with the arrows should be upside down) to the four holes of the panel radiator and tighten with screws (M5×8 mm).
6. Place the panel heater with the plastic fasteners in the extension pipes and tighten it with screws (ST3×12 mm) on each side.
7. To uninstall the unit from the wall, use a screwdriver to loosen the screws only (ST3×12 mm) that lock the plastic fasteners and extension tubes and then remove them.
8. Make sure that the distance between the bottom of the heater and the floor is not less than 20 cm when the heater is installed.

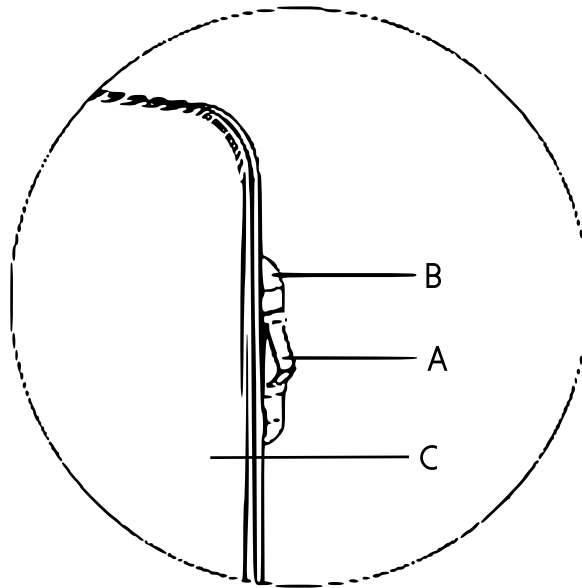


### Commissioning

To put the heater into operation, please follow the instructions below:

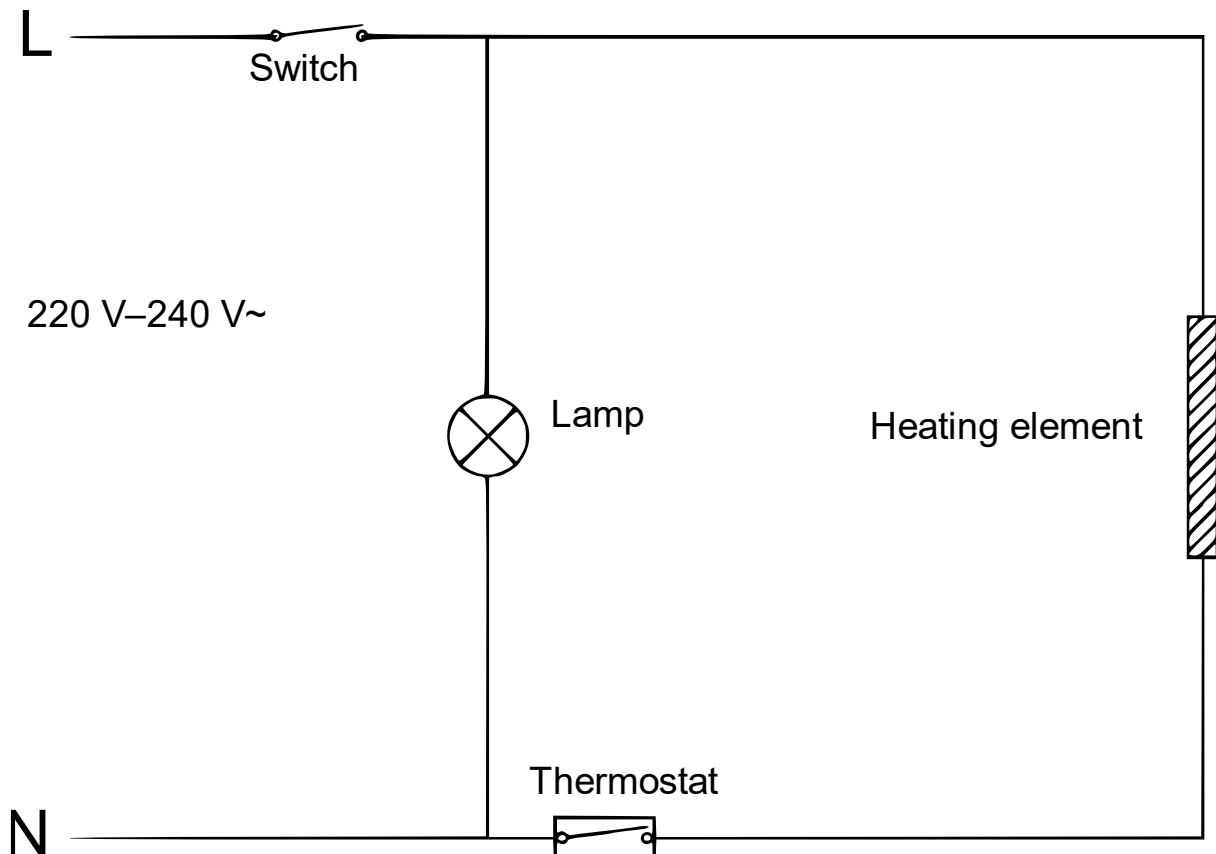
1. Check the heater to make sure it is not damaged.
2. Plug in the plug and switch on the device at the illuminated on/ off switch.
3. If you do not want to heat the room, switch off the heating.
4. If you do not use the heater for a longer period, remove the plug from the outlet.

**Control unit parts**



Letter	Name
A	On/off switch
B	Control panel
C	Radiator

**Electrical circuit diagram**





## Troubleshooting

If your heater does not work, please follow the instructions below:

- Make sure that your circuit breaker or fuse is working properly.
- Make sure that the heater is connected to the mains and that the socket is working properly.
- If the on/off switch in the on position is not illuminated, have the heater seen to immediately by a qualified technician.

**Note:** If you have a problem with your heating, please refer to the information in the user manual. Please do not try to open or repair the heater yourself. This will void the warranty and could result in damage or injury. If the problem persists, please contact a qualified technician.

## Cleaning and storage

Before cleaning your heater, turn the heater off and let it cool down. Disconnect the power supply to the device. The housing can be wiped with a damp cloth and then dried off. Do not use abrasive cleaners or furniture polishes as these may damage the surface. To remove the heater from the wall for cleaning or renovation, open the screw cap and remove the screws from the wall.

For short-term storage, simply pull out the plug. For long-term storage, you can remove the heater from the wall or cover it with a suitable material.

## Technical data

Model	60259	60260	60261	60262
Power supply	220–240 V, 50/60 Hz			
Power (W)	300	450	600	425
	for IWH01			

Please read the package information and make sure that your input voltage matches the rated input voltage. Deviations of all technical data: approx. +5 %, -10 %.

Ceiling height 2.5 m	Insulation efficiency ( $W/m^2$ )		
	High	Medium	Low
1 adjacent wall	50	70	90
2 adjacent walls	60	80	100
3 adjacent walls	70	90	110
4 adjacent walls	80	100	120

## Disposal regulations

EU guidelines regarding the disposal of scrap electric appliances (WEEE, 2012/19/EU) were implemented in the law related to electrical and electronic equipment and appliances.

All WiITec electric devices that fall under the WEEE regulations are labelled with the crossed-out wheeled waste bin logo. This logo indicates that this electric equipment must not be disposed with the domestic waste.

The company WiITec Technik GmbH has been registered in the German registry EAR under the WEEE-registration number DE45283704.

Disposal of used electrical and electronic appliances (intended for use in the countries of the European Union and other European countries with a separate collection system for these appliances).

The logo on the article or on its packaging points out that this article must not be treated as normal household waste but must be disposed to a recycling collection point for electronic and electrical waste equipment. By contributing to the correct disposal of this article you protect the environment and the health of your fellow men. Environment and health are threatened by inappropriate disposal.



Material recycling helps reduce the consumption of raw materials.

Additional information on recycling this article can be provided by your local community, municipal waste disposal facilities, or the store where you purchased the article.

Address:  
WiITec Wildanger Technik GmbH  
Königsbenden 12 / 28  
D-52249 Eschweiler

Important notice:

The reprint or reproduction, even of excerpts, and any commercial use, even in part, of this instruction manual require the written permission of WiITec Wildanger Technik GmbH.