

Operating instructions

Bike Repair Stand

60280

wiltec



Illustration similar, may vary depending on model

Please read and follow the operating instructions and safety information prior to initial operation.

Technical changes reserved!

Illustrations, functional steps, and technical data may deviate insignificantly due to continuous further developments.



The information contained in this document may alter at any time without prior notice. No part of this document may be copied or otherwise duplicated without prior written consent. All rights reserved.

WilTec Wildanger Technik GmbH cannot be held liable for any possible mistakes in this operating manual, nor in the diagrams and illustrations shown.

Although WilTec Wildanger Technik GmbH has made every possible effort to ensure that this operating manual is complete, accurate, and up-to-date, errors cannot be ruled out entirely.

If you have found an error or wish to suggest an improvement, we look forward to hearing from you.

Send us an e-mail to:

service@wiltec.info

or use our contact form:

<https://www.wiltec.de/contacts/>

The most recent version of this manual in several languages can be found in our online shop:

<https://www.wiltec.de/docsearch>

Our postal address is:

WilTec Wildanger Technik GmbH
Königsbenden 12
52249 Eschweiler – Germany

To return your goods for exchange, repair, or other purposes, please use the following address. Attention! To allow for a trouble-free complaint or return, it is important to contact our customer service team before returning your goods.

Retourenabteilung
WilTec Wildanger Technik GmbH
Königsbenden 28
52249 Eschweiler – Germany

E-mail: **service@wiltec.info**

Tel: +49 2403 55592-0

Fax: +49 2403 55592-15



Introduction

Thank you for choosing to purchase this quality product. To minimise the risk of injury, we ask you to always take some basic safety precautions when using this product. Please read this operating manual carefully and make sure that you understand it.

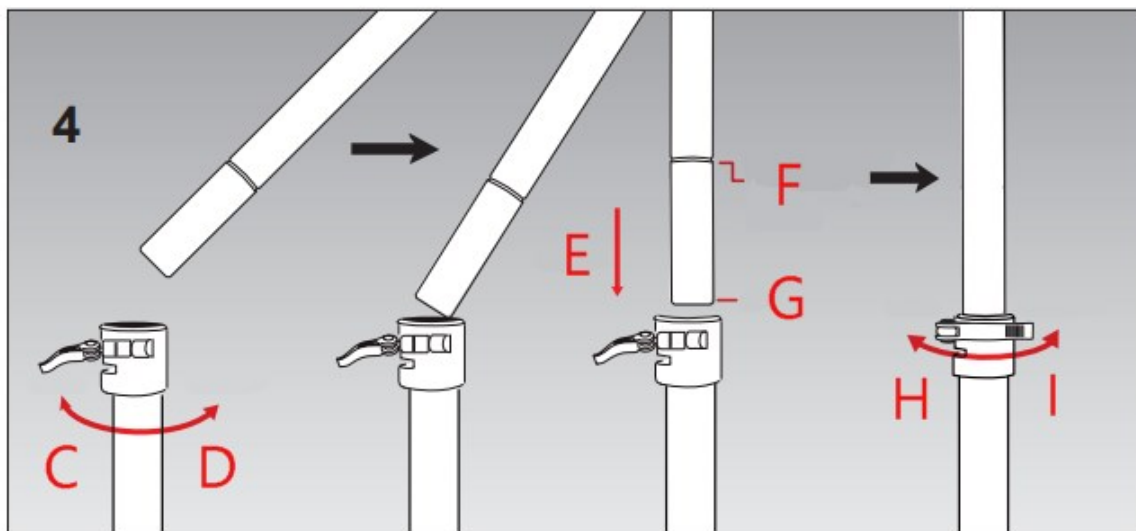
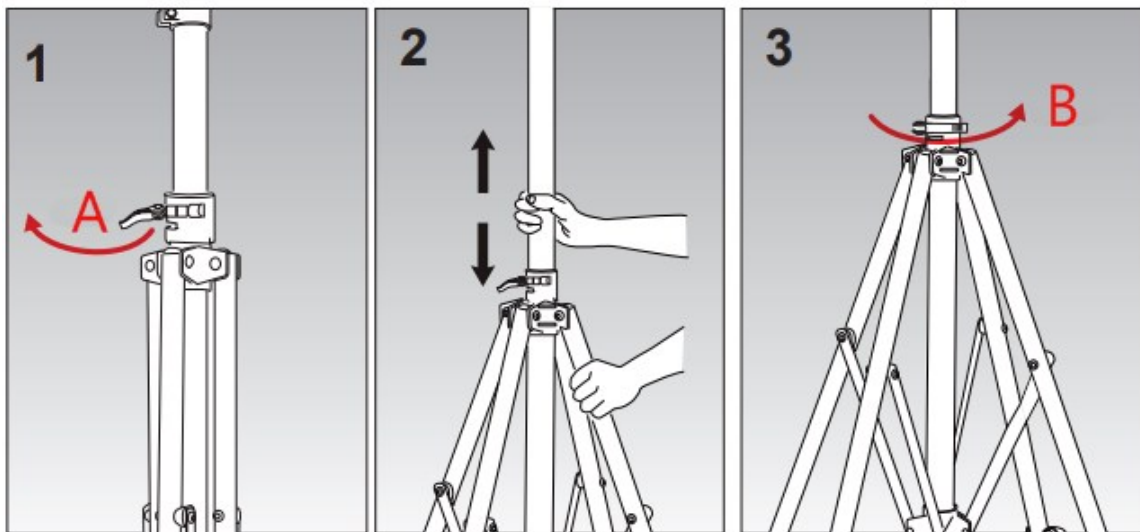
Keep these operation instructions in a safe place.

Safety instructions

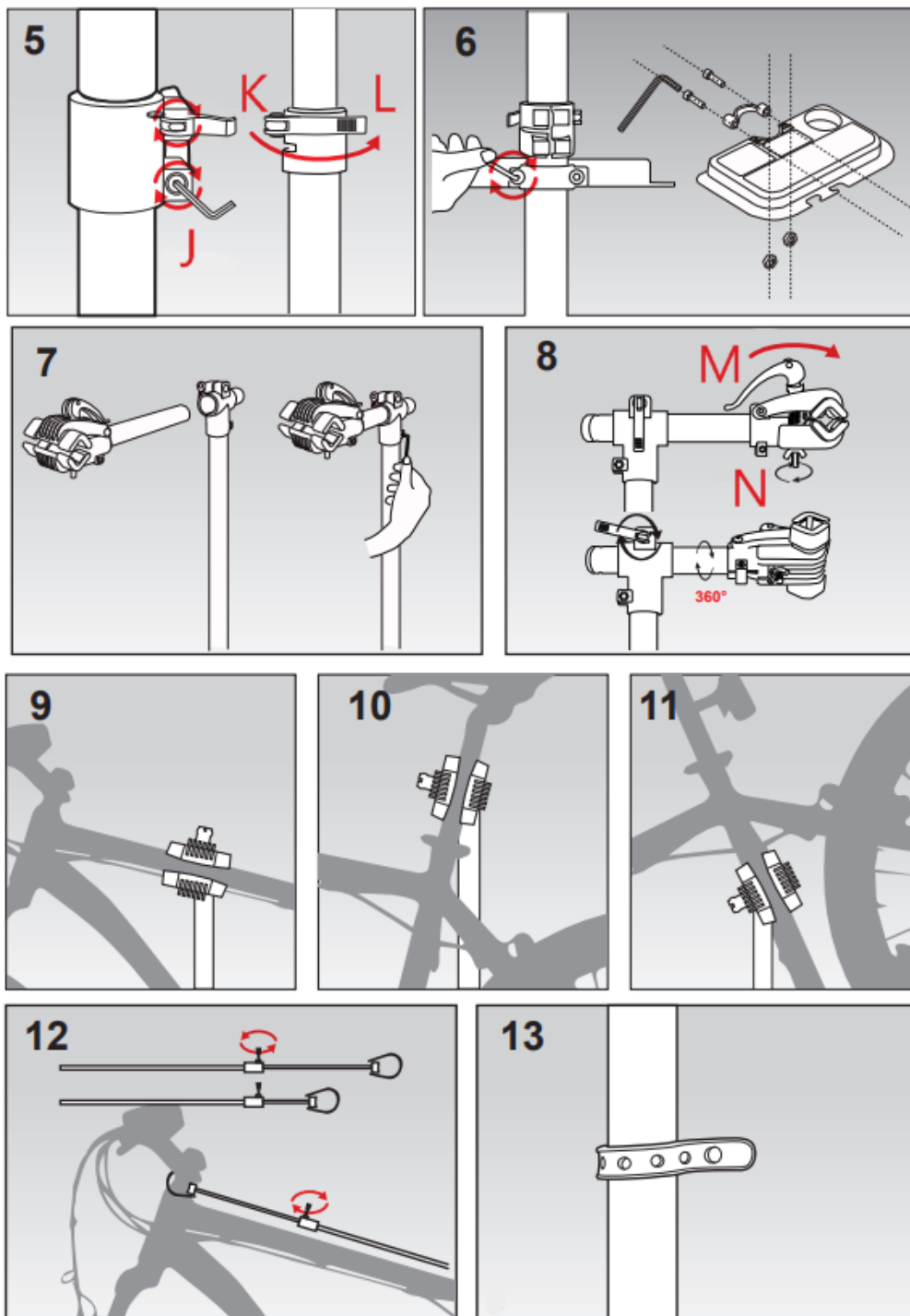
- Place the stand on a level surface.
- The maximum capacity of 30 kg must not be exceeded.
- Keep the main beam vertical to prevent the unit from wobbling.
- Before use, check that the screw connection is tight and correct.

Assembly steps

1. Untighten the quick release of the main body.
2. Fold out the main body 90° towards the ground.
3. After fully opening the bottom of the frame, tighten the quick release by turning it clockwise. Close the quick release when you feel a resistance.
4. Tighten the quick release on the top of the lower tube outwards and loosen the lower bolts. Insert the upper telescopic tube into the recess/cap end of the lower tube first. If it is difficult to insert, make sure that the quick release is fully untightened. When inserting the telescopic tube, you can start with a slight angle to make it easier to open the clamp.
5. Tighten the screw under the quick release at the top of the lower tube. Turn the quick release clockwise as far as it will go, then close it to make sure that the telescopic tube is locked.
6. Insert the nuts into the slot on the back of the tool tray on the lower tube. You may need to hold the tray and nuts with your other hand while tightening the screws. The tool tray can be mounted on the upper or lower tube accordingly.
7. Spread the quick release at the upper end of the telescopic tube upwards and untighten the lower screws. Insert the upper cross tube into the plastic connection at the upper end of the telescopic tube. Once the correct position of the cross tube and correct clamping angle have been ensured, turn the quick release clockwise as far as it will go, then close it to ensure that the cross tube is locked.
Attention! Do not extend beyond the recess of the max. length at the end of the cross tube.
8. Adjust the inner diameter and angle of the clamp and the length of the cross tube by tightening the quick release and wing nut. Tighten the nut firmly and close the quick release before use.
Attention!
 - Inner diameter range of clamp: 25–55 mm
 - The cross tube can be rotated 360° in horizontal direction.
 - The clamp can be rotated 360° in vertical direction.
9. Repeat step 8 to place the bicycle frame in the clamp.
10. and 11. Depending on the style and size of the bicycle, you can adjust the angle and position of the clamp arm to ensure that the bicycle is balanced.
12. and 13. Adjust the length of the balance pole. Then attach two rubber straps to the handle-bars/bicycle and to the vertical tubes.



Letter	Name/explanation
A	Open
B	Closed
C	Open
D	Closed
E	Insert
F	Do not exceed the recess of the max. length.
G	Cap
H	Open
I	Closed



Letter	Name/explanation
J	Tighten
K	Open
L	Closed
M	Open
N	Tighten

Important note: Reproduction and any commercial use (of parts) of this operating manual, requires a written permission of WilTec Wildanger Technik GmbH.