

# Operation Manual

## Heavy-Duty Shelving Unit

60281



Illustration similar, may vary depending on model

Read and follow the operating instructions and safety information before using for the first time.

Technical changes reserved!

Due to further developments, illustrations, functioning steps, and technical data can differ insignificantly.

Updating the documentation

If you have suggestions for improvement or have found any irregularities, please contact us.



The information contained in this document may alter at any time without previous notice. It is prohibited to copy or spread any parts of this document in any way without prior written allowance. All rights reserved.

The WilTec Wildanger Technik GmbH cannot be held accountable for any possible mistakes in this operating manual, nor in the diagrams and figures shown.

Even though, the WilTec Wildanger Technik GmbH has undergone biggest possible efforts to ensure that the operating manual is complete, faultless, and up to date, mistakes cannot be entirely avoided.

If you should find a mistake or wish to make a suggestion for improvement, we look forward to hearing from you.

Send an e-mail to:

[service@wiltec.info](mailto:service@wiltec.info)

or use our contact form:

<https://www.wiltec.de/contacts/>

The most recent version of this manual in various languages can be found in our online shop via:

<https://www.wiltec.de/docsearch>

Our postal address is:

WilTec Wildanger Technik GmbH  
Königsbenden 12  
52249 Eschweiler  
Germany

To return orders for exchange, repair, or other purposes, please use the following address. Attention! To allow for a smooth execution of your complaint or return, it is important to contact our customer service team before returning the goods.

Returns Department  
WilTec Wildanger Technik GmbH  
Königsbenden 28  
52249 Eschweiler

E-mail: **service@wiltec.info**

Tel: +49 2403 55592-0

Fax: +49 2403 55592-15



## Introduction

Thank you for purchasing this quality product. **To minimise the risk of injury we urge that our clients take some basic safety precautions when using this device. Please read the operation instructions carefully and make sure you have understood its content.**

Keep these operation instructions safe.

Dear customer, as a user, please observe the information in these operating instructions to maintain the condition of the item and to ensure safe operation. Please pay attention to this in case you pass this product on to third parties, too. Therefore, keep the operating instructions in a safe and dry place for future reference.

## Intended use

- This product is intended for the storage of objects. The product is only intended for use in private indoor areas.
- Any use other than that described above or any modification of the product is not permitted and can lead to injuries and/or damage to the product.
- The manufacturer assumes no liability for damage resulting from improper use. The product is not intended for commercial use.
- The shelf is not suitable for rooms with high humidity, as the humidity damages the wooden components.

## Scope of delivery/parts

No	Name	Qty.
1	Shelf	4
2	Upright	10
3	Cross member (approx. 70 cm)	8
4	Cross member (approx. 40 cm)	8
5	Cross member (approx. 42 cm)	4
6	Connector (only necessary for vertical assembly)	5
7	Protective cap	10

## Technical data

### Measures

Set-up variant	Measures (W×H×D in cm)
vertical	approx. 70×160×77
horizontal	approx. 160×70×77

### Material

<b>Shelves</b>	Chipboard
<b>Supports, connectors, cross members</b>	Galvanised metal
<b>End caps</b>	Plastic
<b>Max. load capacity (kg)</b>	50 (per shelf)



---

**Warning!****Accident and fatal injury risk for infants and children!**

- Never let children with the packaging materials unsupervised. There is a risk of suffocation.
- Keep the product away from children.
- It is not a toy.

**Mortal danger!**

Make sure that you do not hit any electricity, gas, or water lines when you drill into the wall. If necessary, check with a pipe/cable detector before you drill into a wall.

**Risk of injury!**

- Ensure that all parts are undamaged and properly assembled/fitted. In the event of incorrect assembly/fitting there is a risk of injury. Damaged parts can affect safety and function.
- Do not let children unsupervised. The product is not a climbing frame or tool. Make sure that people, especially children, do not climb up onto the product and/or lean against it. Injuries and/or damage may result.
- Care was taken during the manufacture of the product to avoid any sharp edges. Handle the individual parts carefully so that any accidents/injuries during set-up and use are avoided.
- When assembling/fitting the product, please be sure to wear protective gloves.
- Ensure that the product is assembled/fitted only by competent adults.
- Only set the product on a level surface.
- Before using the product, check its stability.
- Do not load the product with more than 50 kg per shelf. Otherwise, there is a risk of injury and/or damage to the product.
- The part showing the maximum load must be fitted at a clearly visible height (at the front).
- Ensure that the unit loading is evenly spread – avoid any overloading.
- To avoid any potential damage to the floor, pull on protective caps **(7)**.
- After assembly, check that all parts are firmly connected together.
- Must be secured to the wall, otherwise a safety risk can occur.
- Before securing the product to the wall, check whether the chosen wall is suitable for this.
- Before securing the product to the wall, find out about appropriate fitting wall mounting material for your wall. These are not included with the product.

**Assembly**

- Remove the packaging material and dispose of it properly.
- Check if all components of the listed parts are present.
- To assemble the products, use only a rubber hammer.
- When fitting the cross members, ensure that the carrier edge for the shelving points up.
- Assemble the heavy-duty shelving according to instructions for use A–H.

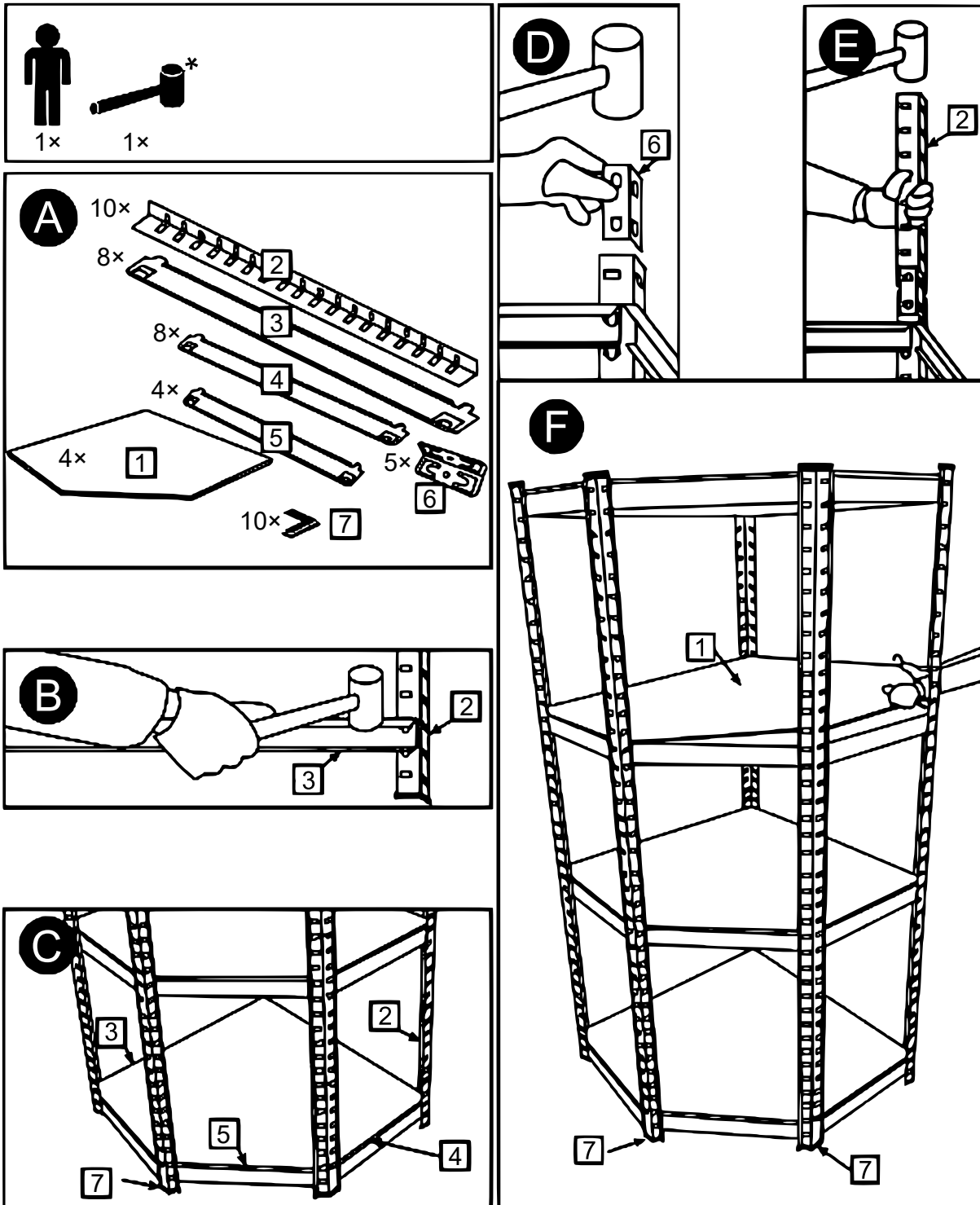
**Clean and maintenance**

- Do not under any circumstances use petrol, solvents or any corrosive cleaning agents.
- For cleaning, use a light, slightly moistened, lint-free cloth and mild cleaning agent.

**Disposal**

- Dispose of packaging in local recycling containers.
- When the product is no longer in use, you will be able to find out about ways to dispose of it from your local authority or city administration.

**Assembly**



**\* Not included**

Important notice:

The reprint or reproduction, even of excerpts, and any commercial use, even in part, of this instruction manual require the written permission of WilTec Wildanger Technik GmbH.