

User's Manual

Tyre Storage Rack

60285



Illustration similar, may vary depending on model

Read and follow the operating instructions and safety information before using for the first time.

Technical changes reserved!

Illustrations, functional steps, and technical data may deviate insignificantly due to continuous further developments.

Updating the documentation

If you have suggestions for improvement or have found any irregularities, please contact us.



The information contained in this document may alter at any time without prior notice. No part of this document may be copied or otherwise duplicated without prior written consent. All rights reserved. WilTec Wildanger Technik GmbH cannot be held liable for any possible mistakes in this operating manual, nor in the diagrams and illustrations shown.

Although WilTec Wildanger Technik GmbH has made every possible effort to ensure that this operating manual is complete, accurate, and up-to-date, errors cannot be ruled out entirely.

If you have found an error or wish to suggest an improvement, we look forward to hearing from you. Send us an e-mail to:

service@wiltec.info

or use our contact form:

<https://www.wiltec.de/contacts/>

The most recent version of this manual in several languages can be found in our online shop:

<https://www.wiltec.de/docsearch>

Our postal address is:

WilTec Wildanger Technik GmbH
Königsbenden 12
52249 Eschweiler – Germany

To return your goods for exchange, repair, or other purposes, please use the following address. Attention! To allow for a trouble-free complaint or return, it is important to contact our customer service team before returning your goods.

Retourenabteilung
WilTec Wildanger Technik GmbH
Königsbenden 28
52249 Eschweiler – Germany

E-mail: **service@wiltec.info**

Tel: +49 2403 55592-0

Fax: +49 2403 55592-15

Introduction

Thank you for choosing to purchase this quality product. To minimise the risk of injury, we ask you to always take some basic safety precautions when using this product. Please read this operating manual carefully and make sure that you understand it. Keep these operation instructions in a safe place.

Safety instructions

- After delivery, check the parts for completeness and intactness.
- The rack is suitable for private use only; do not use it for commercial purposes.
- Keep small parts and package material out of children's reach.
- Do not modify the rack in any way.
- To clean the rack, use a sponge and warm soap water. Do not use any detergent or washing-up liquid with solvents, as these can damage the rack.
- Lay down all parts and components on the box or another clean surface. Pay attention to the floor not being scratched.
- Make sure that the product has been completely assembled before use.
- When assembling the rack, wear work gloves to avoid injuries.
- The maximum capacity must not be exceeded.

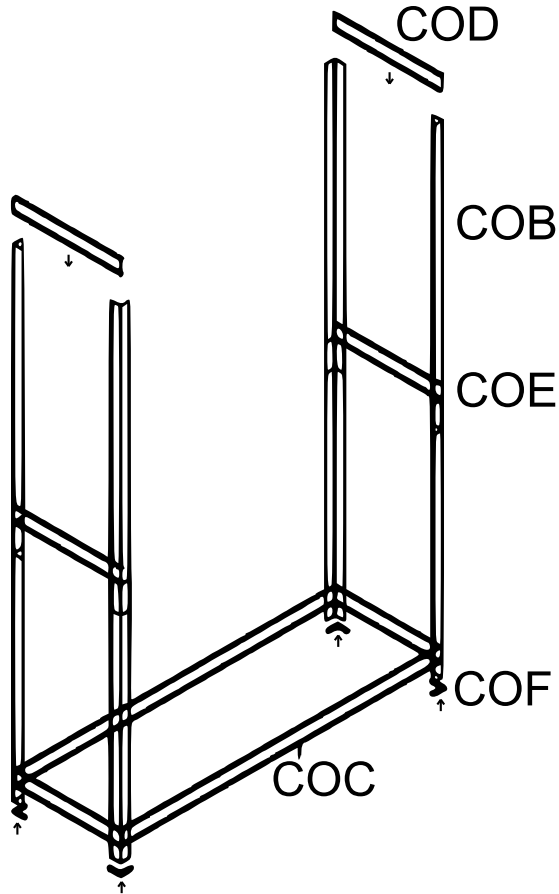


Parts list

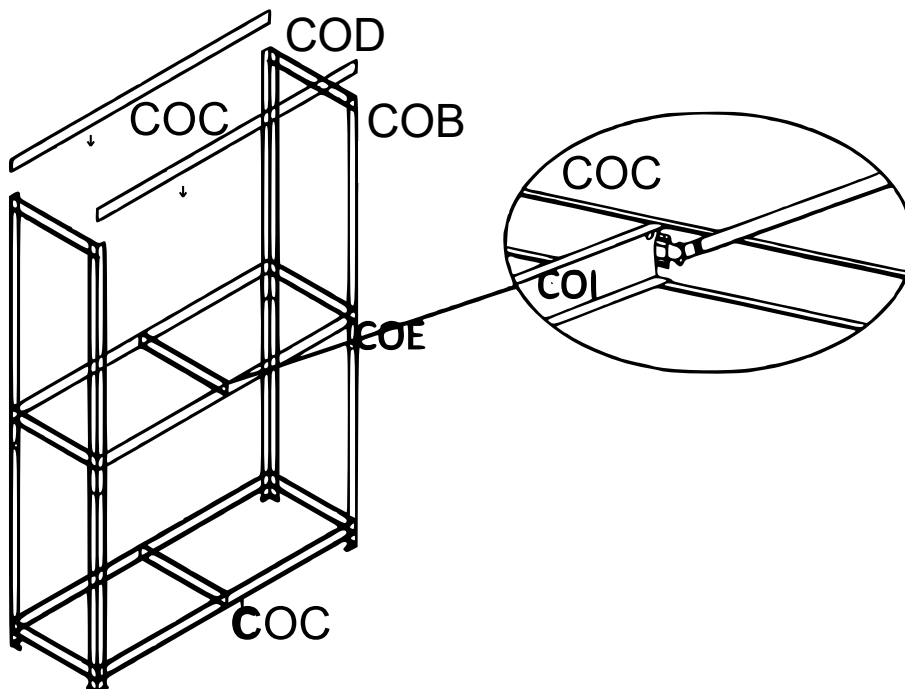
No	Figure	Qty.	No	Figure	Qty.
COA		1	COE		4
COB		8	COF		8
COC		6	COI		3
COD		6			

Mounting

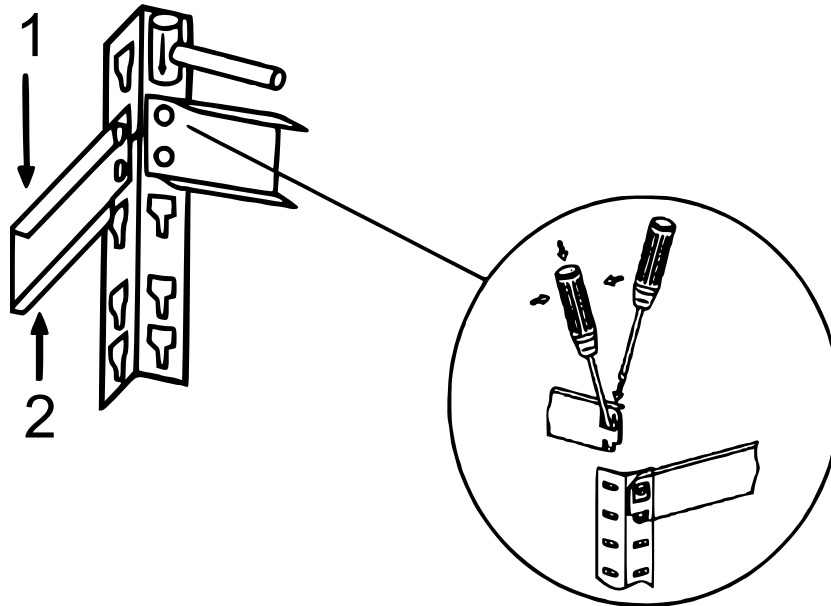
Step 1



Step 2

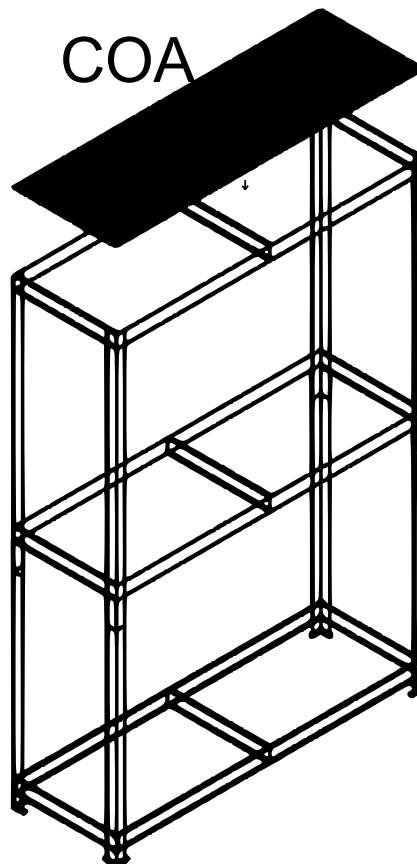


Step 3



No	Name	No	Name
1	Large border	2	Narrow border

Step 4



Important Note: Reproduction and any commercial use (of parts) of this operating manual, requires a written permission of WilTec Wildanger Technik GmbH.