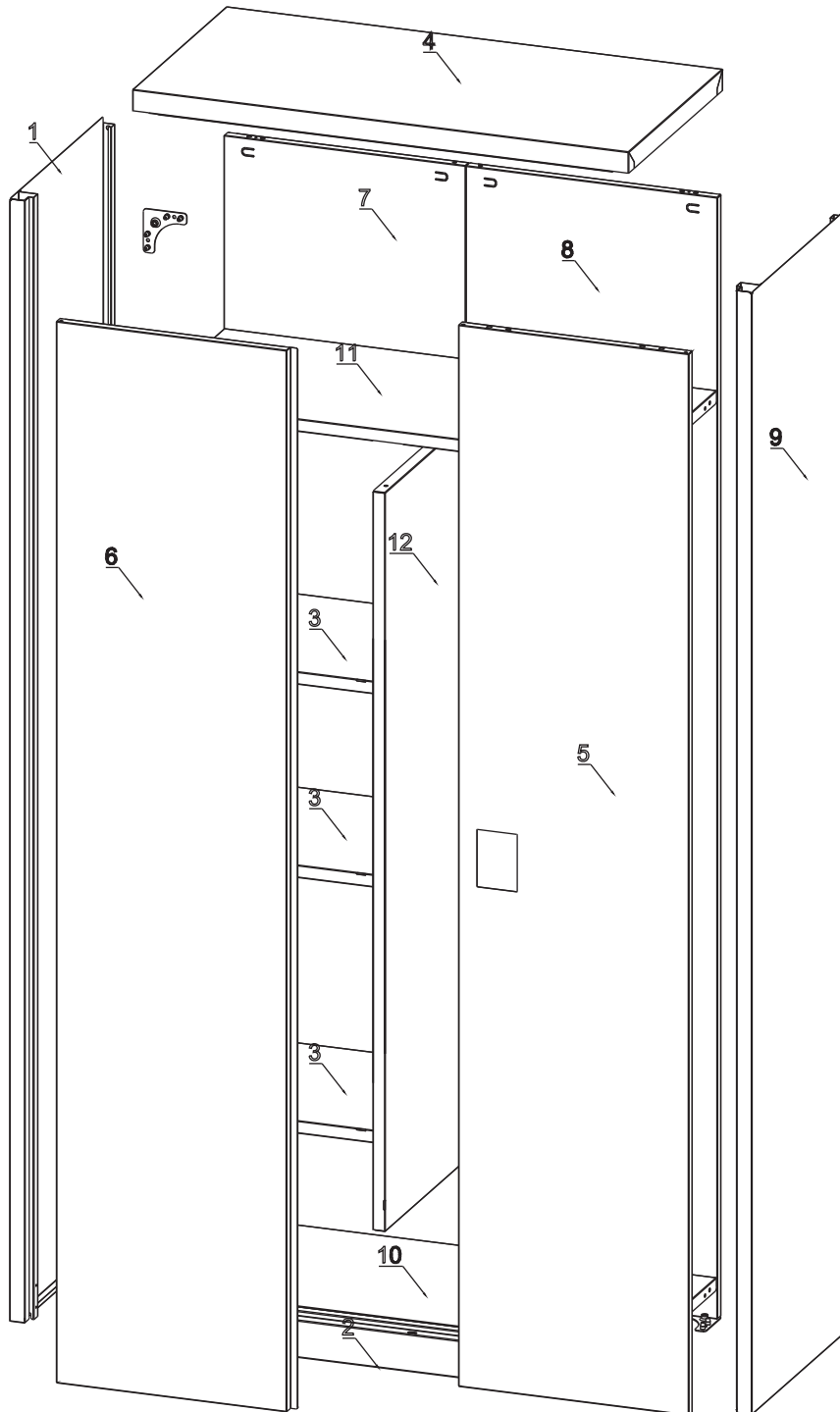

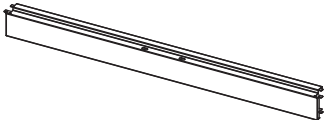
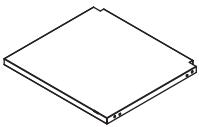
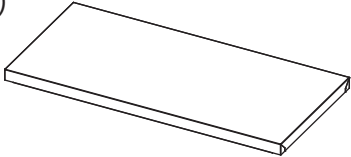
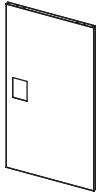
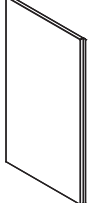



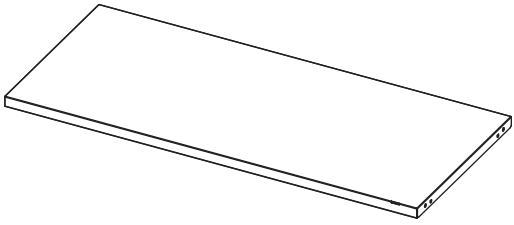
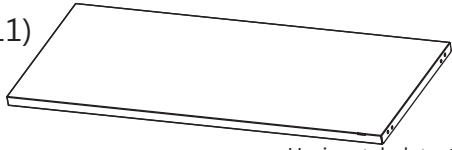
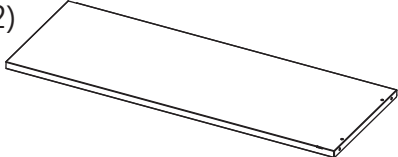







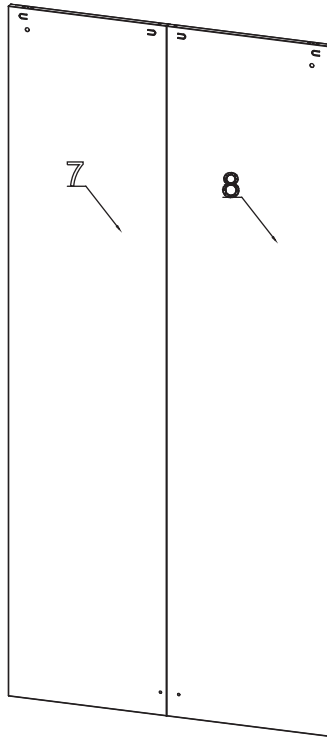
Kundenbetreuung WilTec Wildanger Technik GmbH
e-mail: service@WilTec.info
Tel:++ +49 2403 55592-0



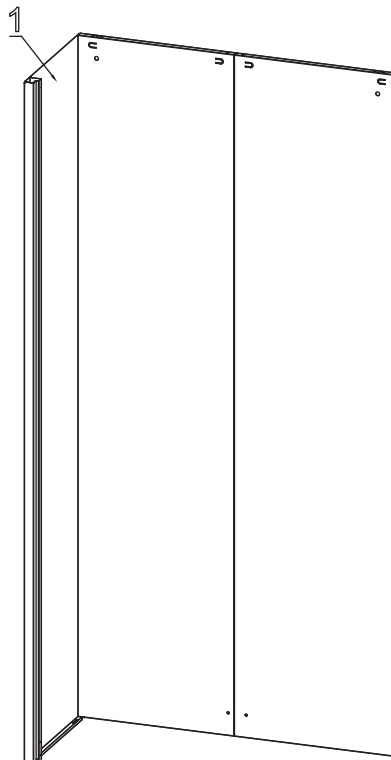
| Product Parts | | | | |
|--|---|---|---|---|
| (1)  Left side panel: 1pcs | | (2)  Bottom baffle: 1pcs | | |
| | | (3)  Clapboard: 3pcs | | |
| (4)  Top plate: 1pcs | | (5)  Right door: 1pcs | (6)  Left door: 1pcs | |
| (7)  Left back: 1pcs | (8)  Right back: 1pcs | (9)  Right side panel: 1pcs | | |
| (10)  Bottom: 1pcs | | (11)  Horizontal plate: 1pcs | | |
| | | (12)  Vertical plate: 1pcs | | |
|  2pcs |  2pcs |  2pcs |  20pcs |  6pcs |

Kundenbetreuung WilTec Wildanger Technik GmbH
e-mail: service@WilTec.info
Tel: ++ +49 2403 55592-0

1

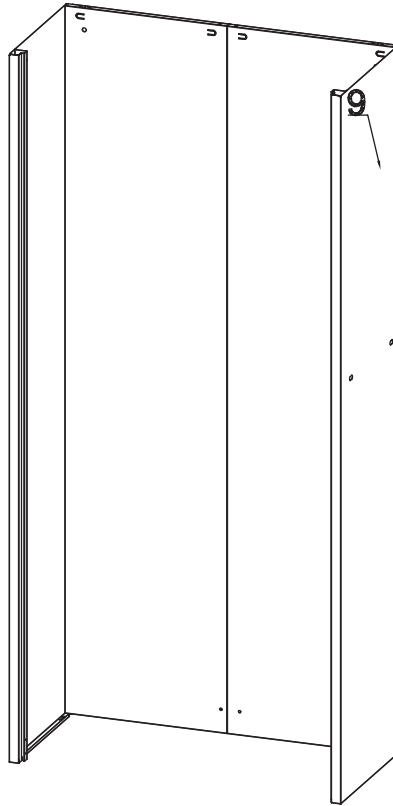


2

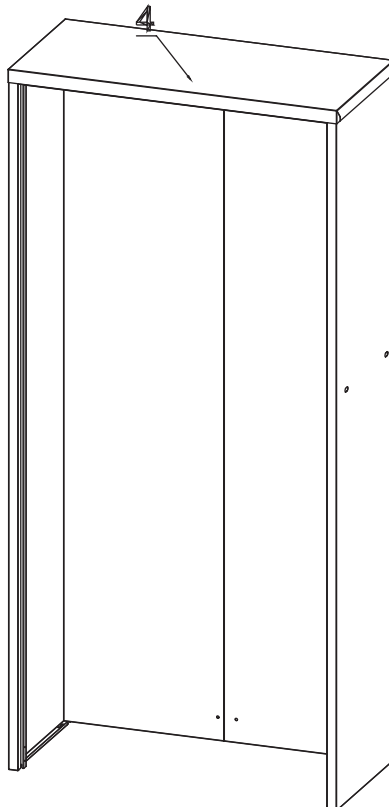


Kundenbetreuung WilTec Wildanger Technik GmbH
e-mail: service@WilTec.info
Tel:++ +49 2403 55592-0

3

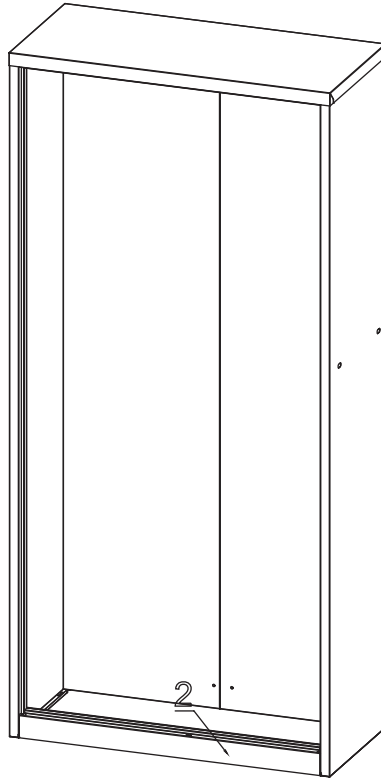


4

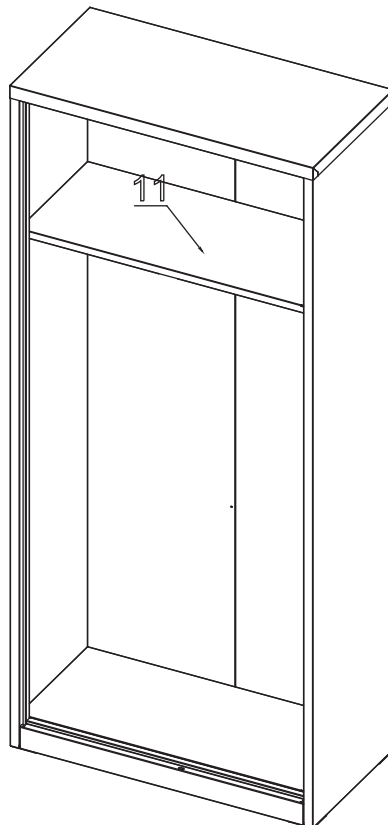


Kundenbetreuung WilTec Wildanger Technik GmbH
e-mail: service@WilTec.info
Tel: ++ +49 2403 55592-0

5

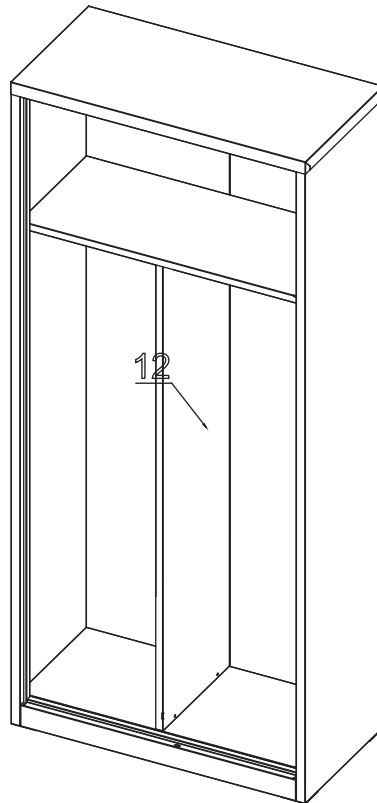


6

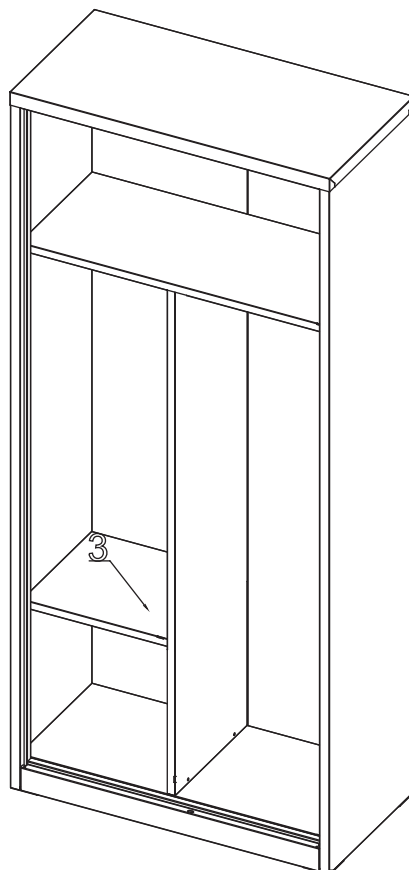


Kundenbetreuung WilTec Wildanger Technik GmbH
e-mail: service@WilTec.info
Tel: ++ +49 2403 55592-0

7

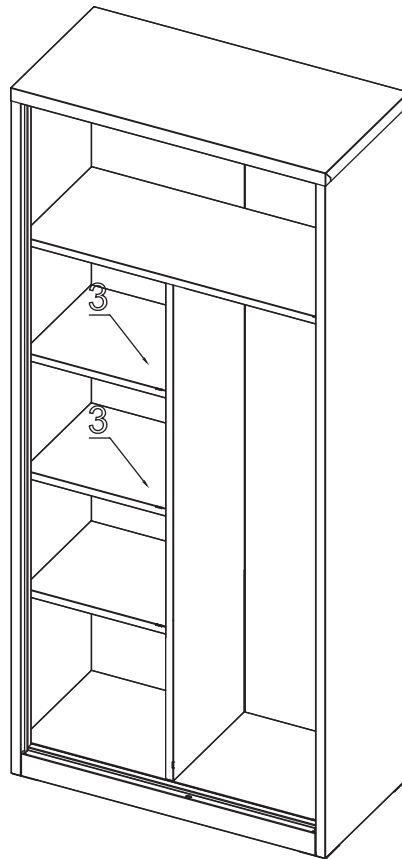


8



Kundenbetreuung WilTec Wildanger Technik GmbH
e-mail: service@WilTec.info
Tel: ++ +49 2403 55592-0

9



10

