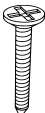
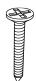
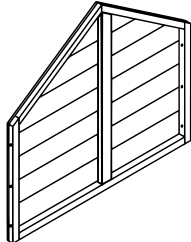
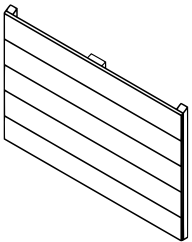
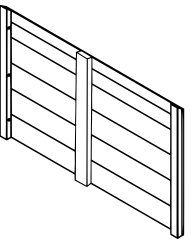
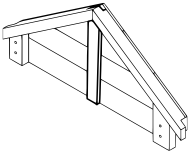
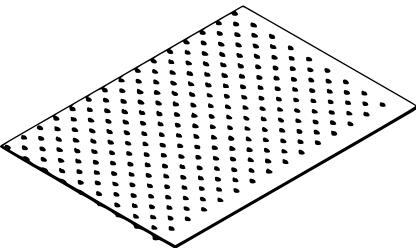
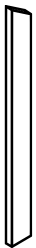



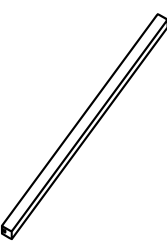

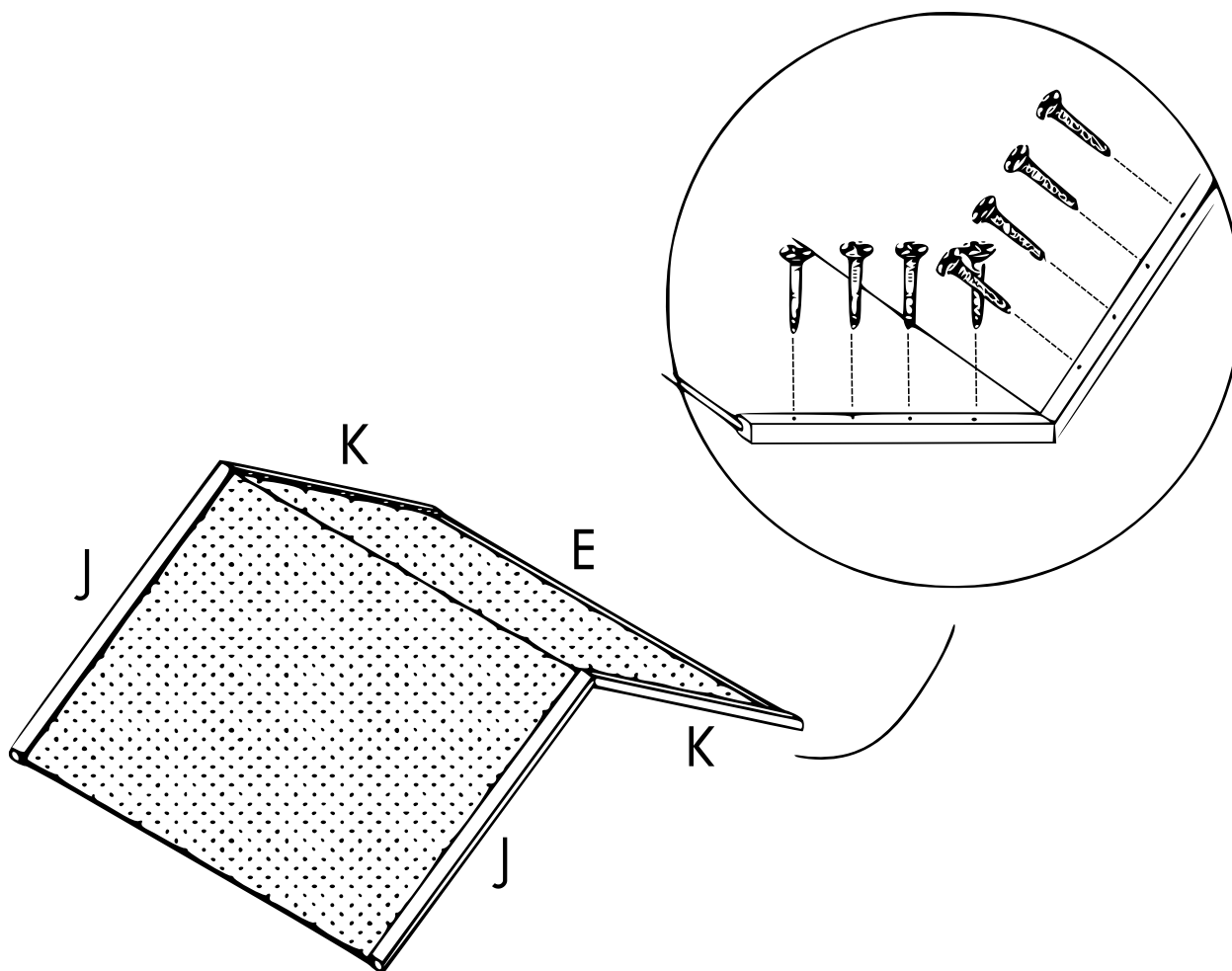


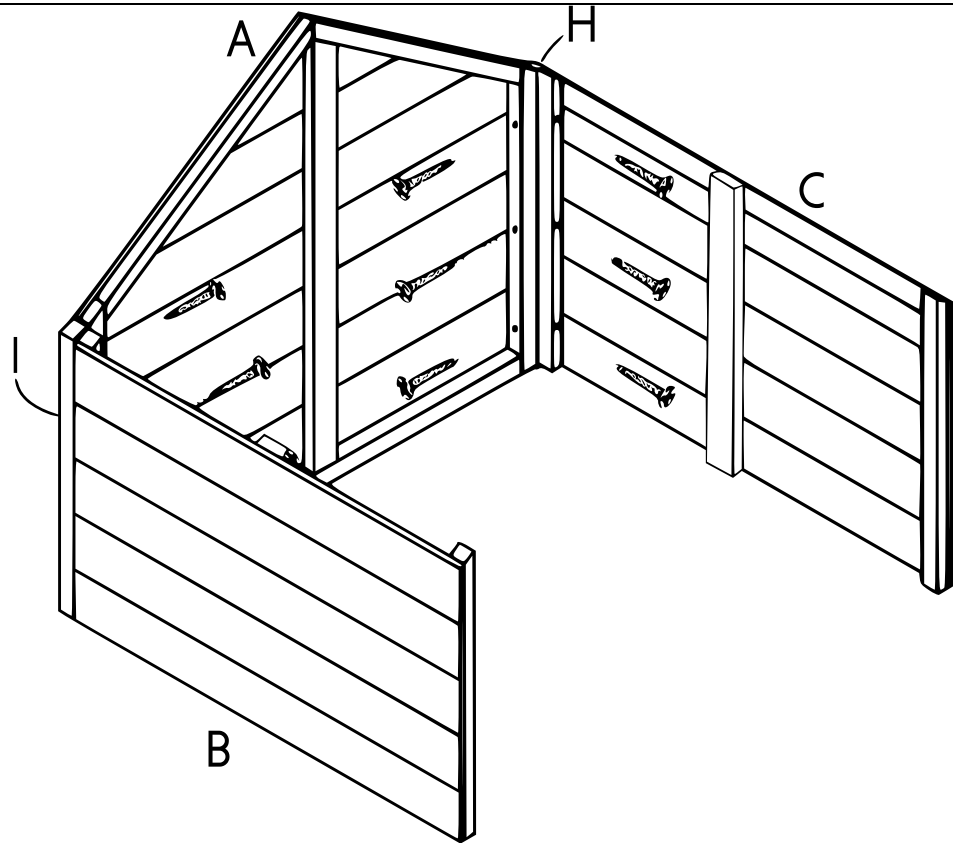


a	b	A	B	C	D
 M4x35	 M4x25				
30	16	1	1	1	1

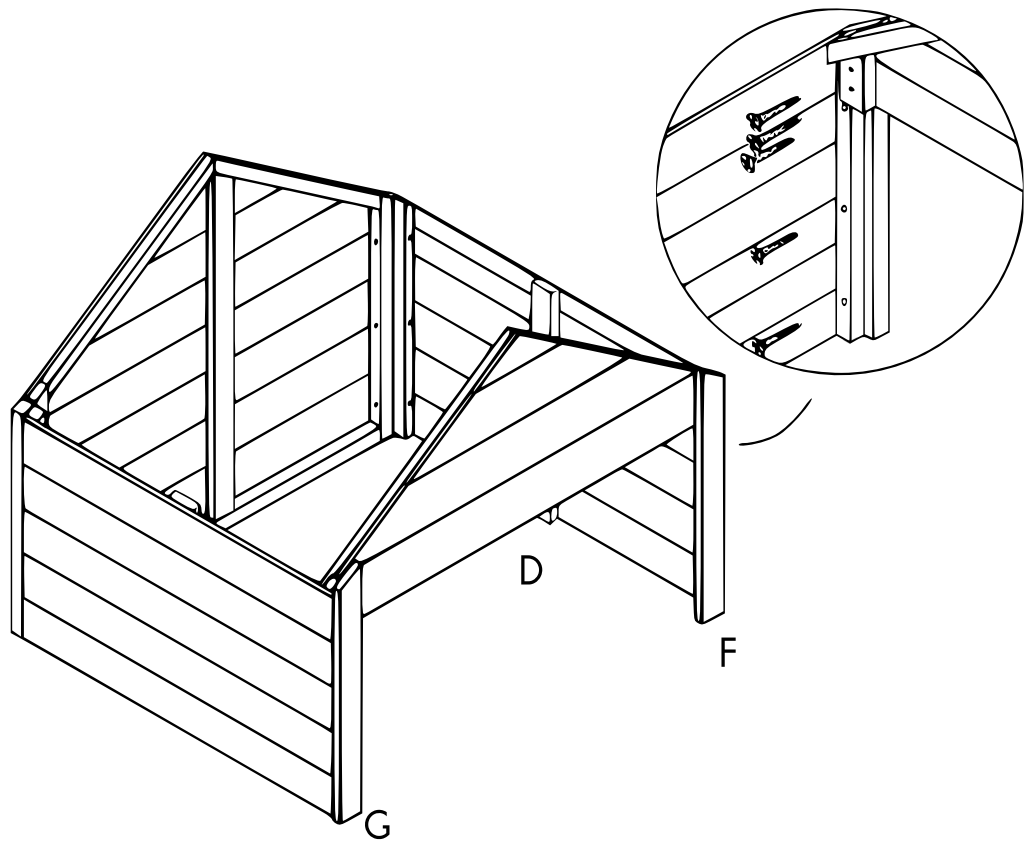
E	F	G	H	I	J	K
						
1	1	1	1	1	2	2



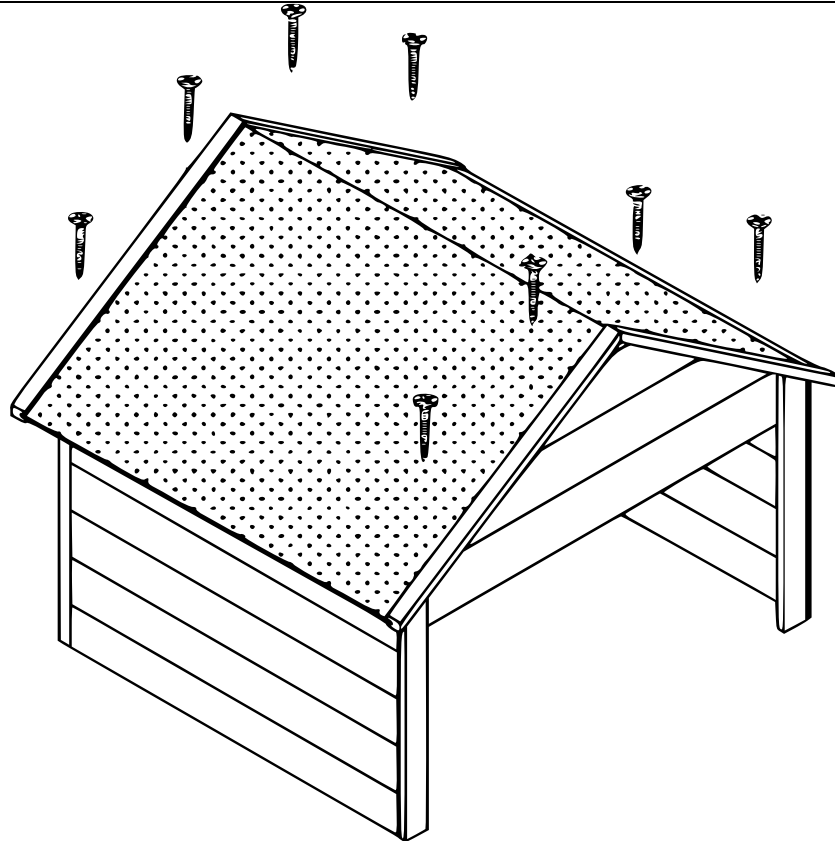
Step 1 | b (16)



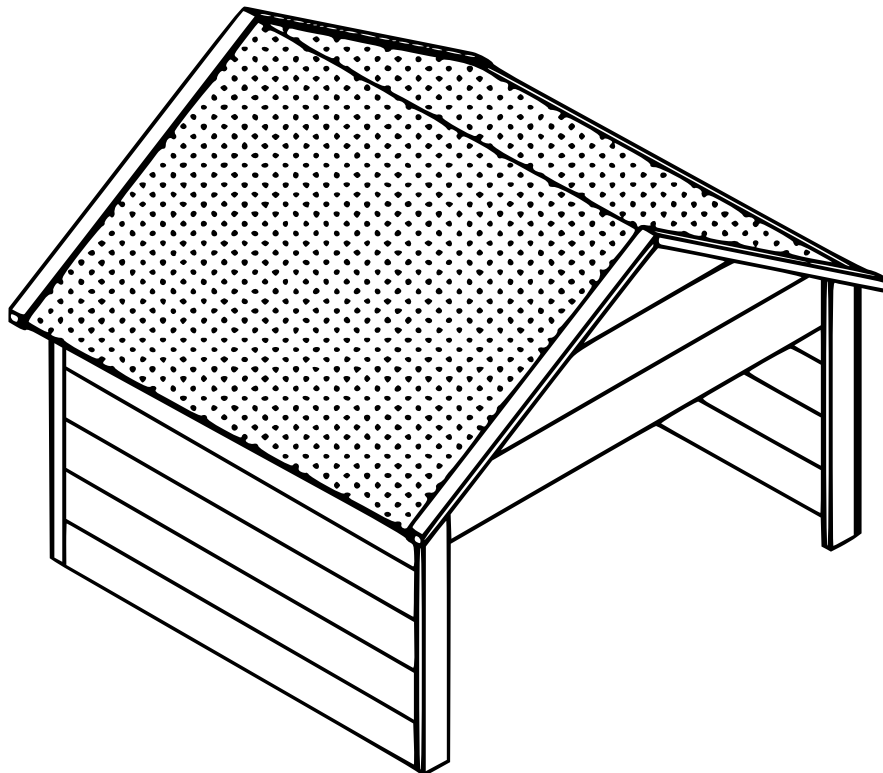
Step 2 | a (12)



Step 3 | a (10)



Step 4 | a (8)



Important Note:

Reproduction and any commercial use (of parts) of this operating manual, requires a written permission of WilTec Wildanger Technik GmbH.