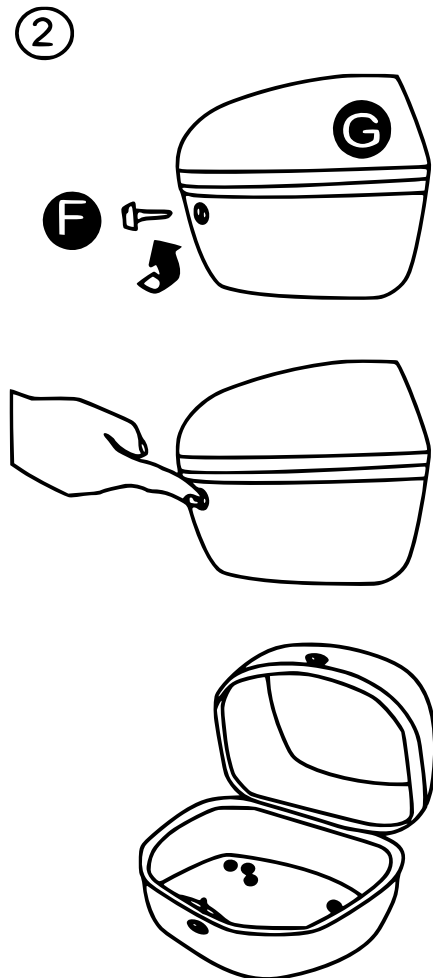
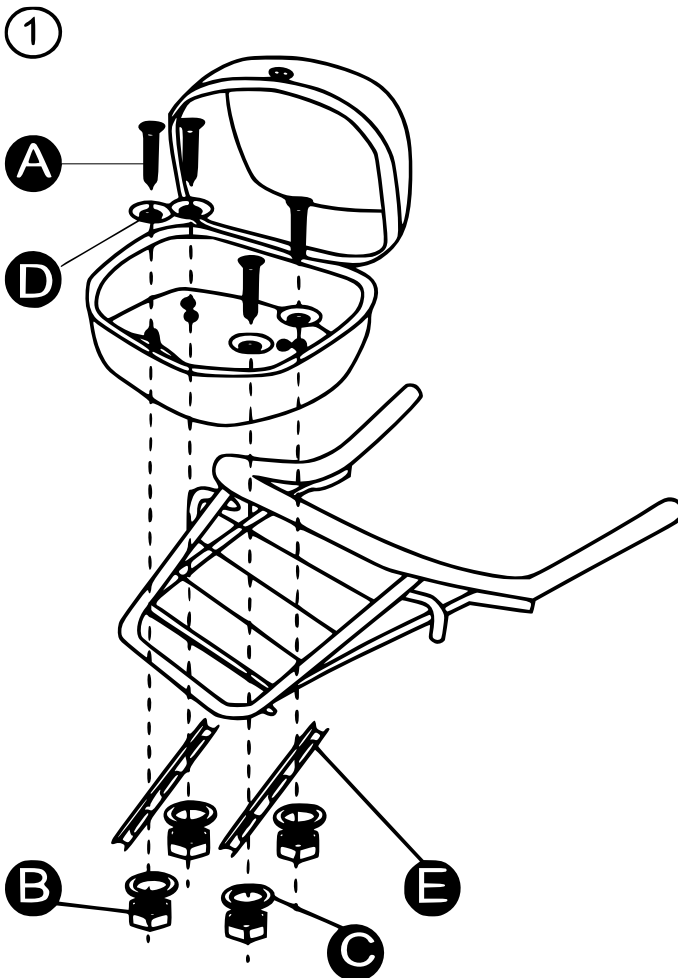




A	B	C	D
4	4	4	4

E	F	G
2	2	1



Important Note: Reproduction and any commercial use (of parts) of this operating manual, requires a written permission of Wil-Tec Wildanger Technik GmbH.