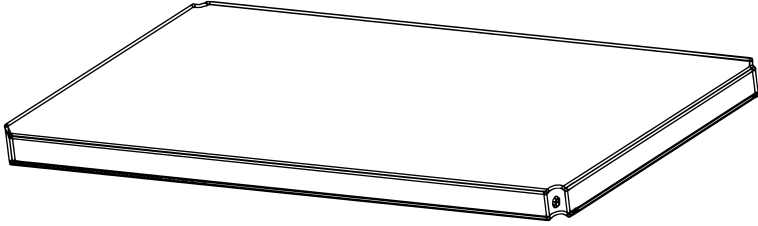
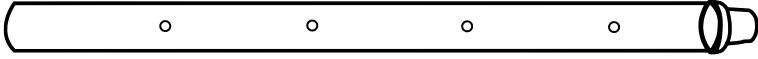



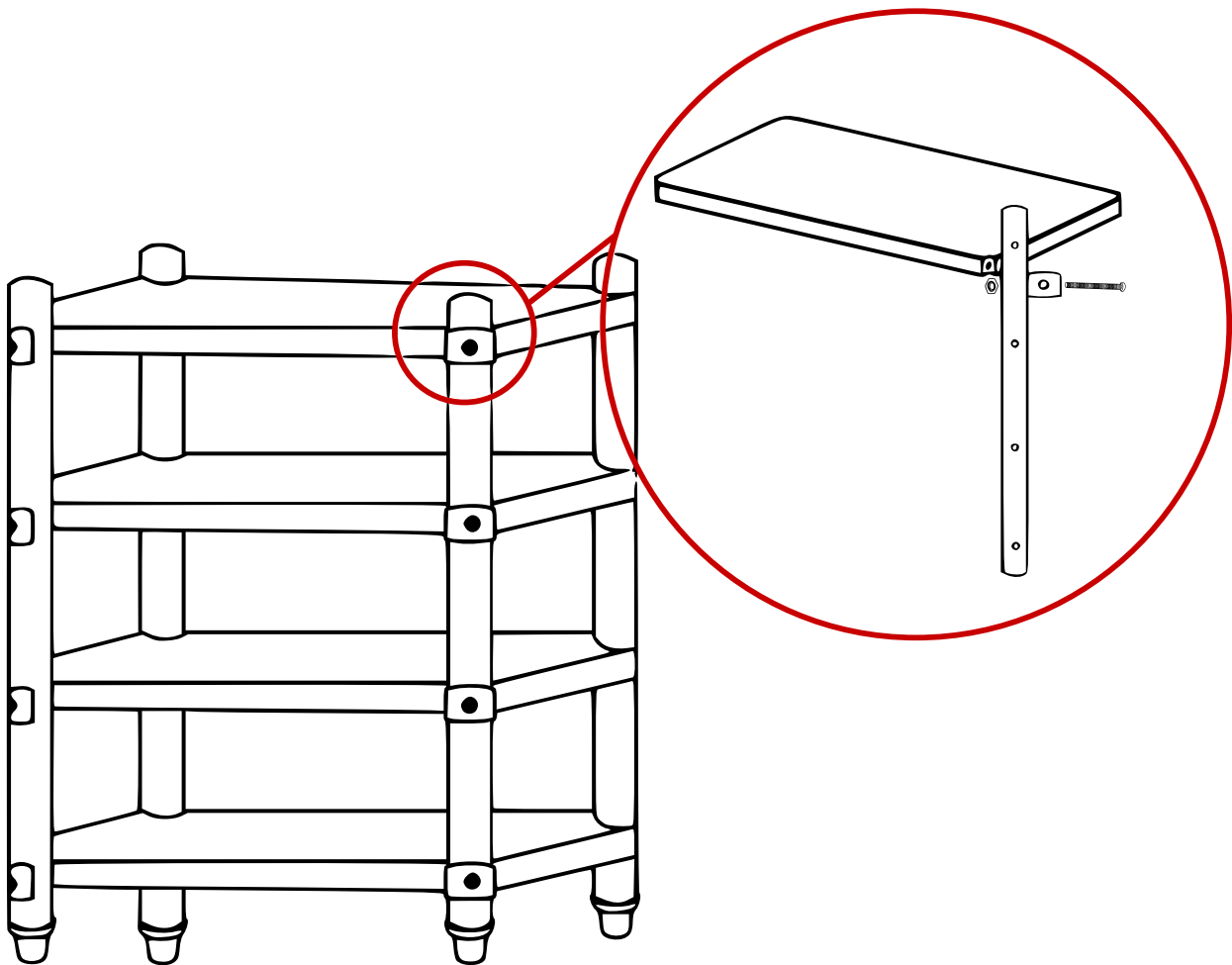




Letter	Figure	Quantity
A		4
B		4
C		16
D		16
E		16



Important Note:

Reproduction and any commercial use (of parts) of this operating manual, requires a written permission of Wil-Tec Wildanger Technik GmbH.