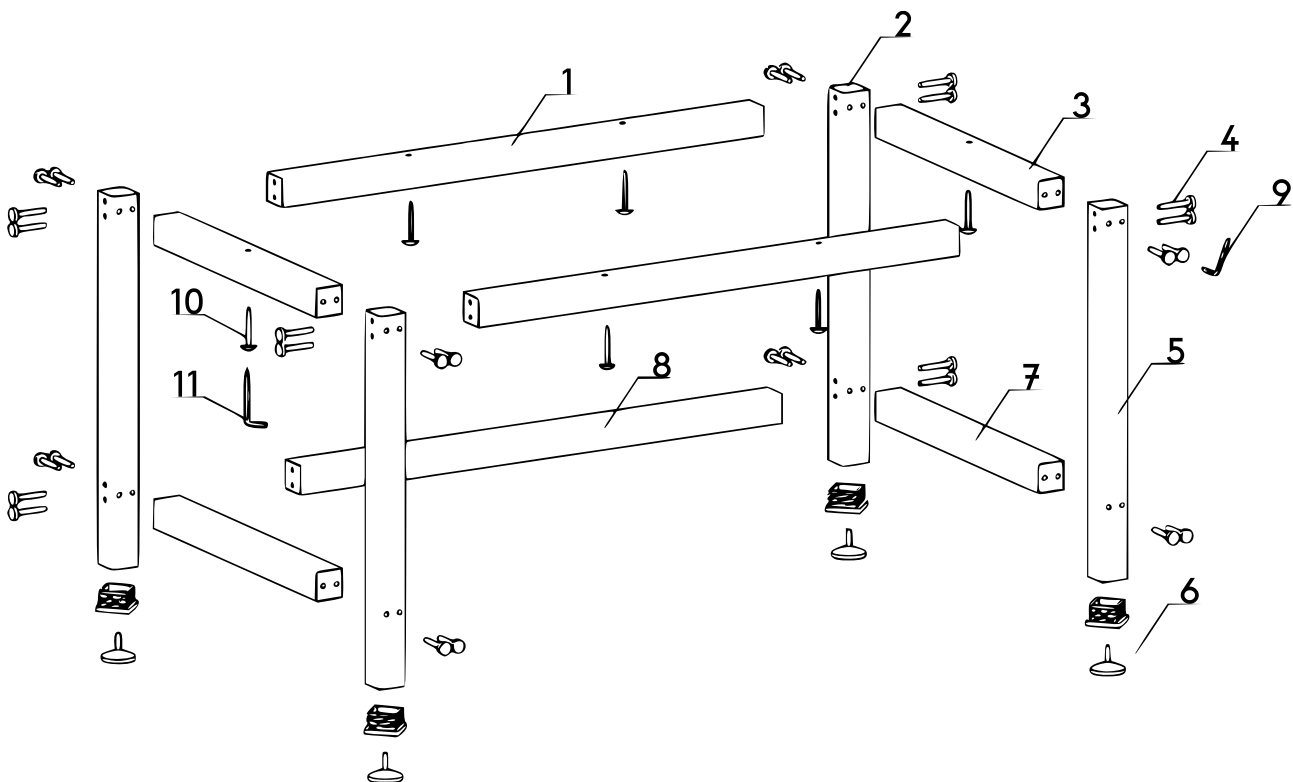




No	Name	Qty.	No	Name	Qty.
1	Cross connection A	2	7	Cross connection C	2
2	Table leg A	2	8	Cross connection D	1
3	Cross connection B	2	9	Wrench A	1
4	Screw A	28	10	Screw B	6
5	Table leg B	2	11	Wrench B	1
6	Base	4			



**Important Note:**

Reproduction and any commercial use (of parts) of this operating manual, requires a written permission of Wil-Tec Wildanger Technik GmbH.