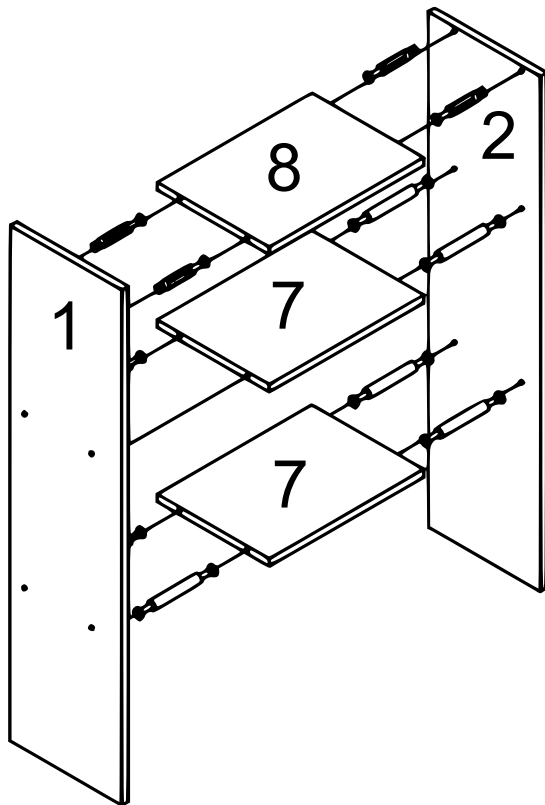
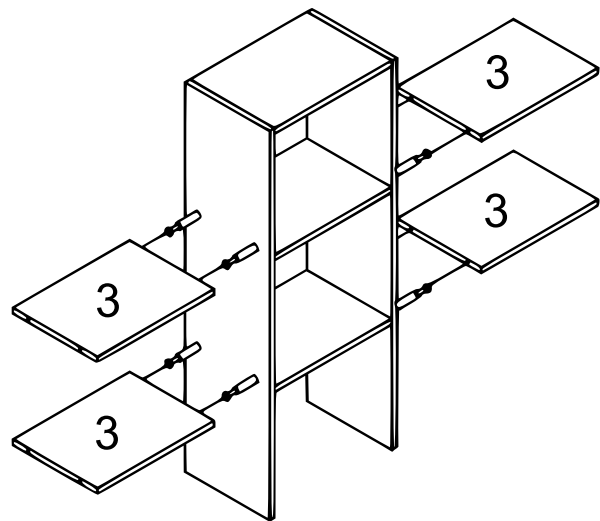


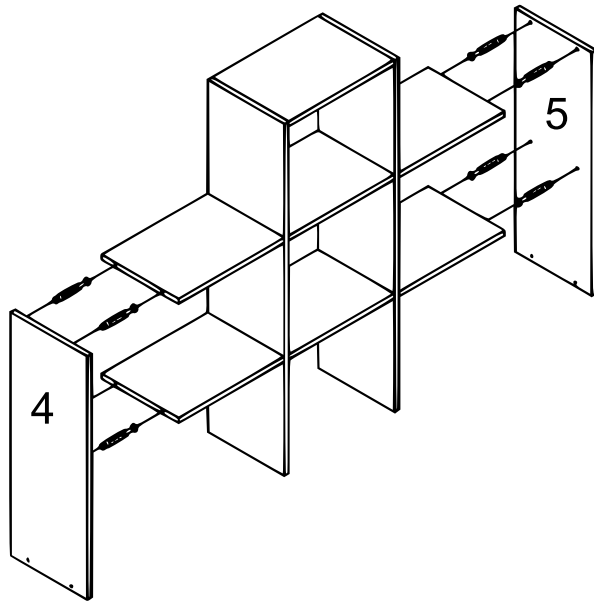
Letter	Figure	Qty.
A		12
B		28
C		8
D		5
E		8



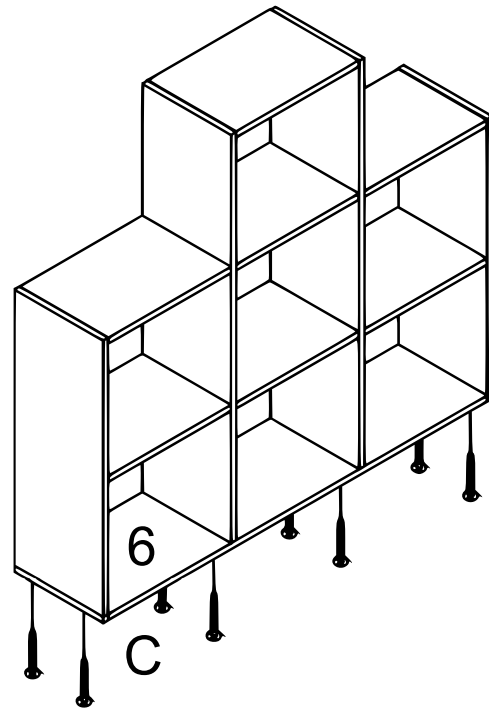
Step 1



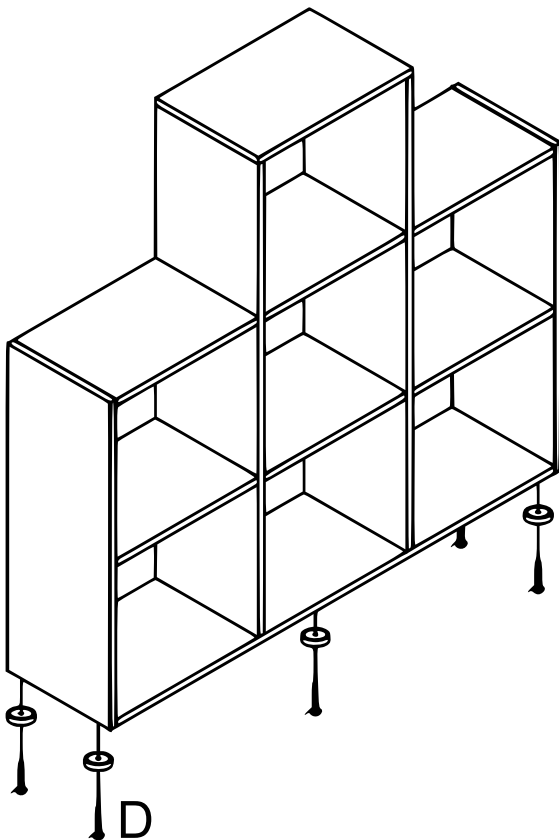
Step 2



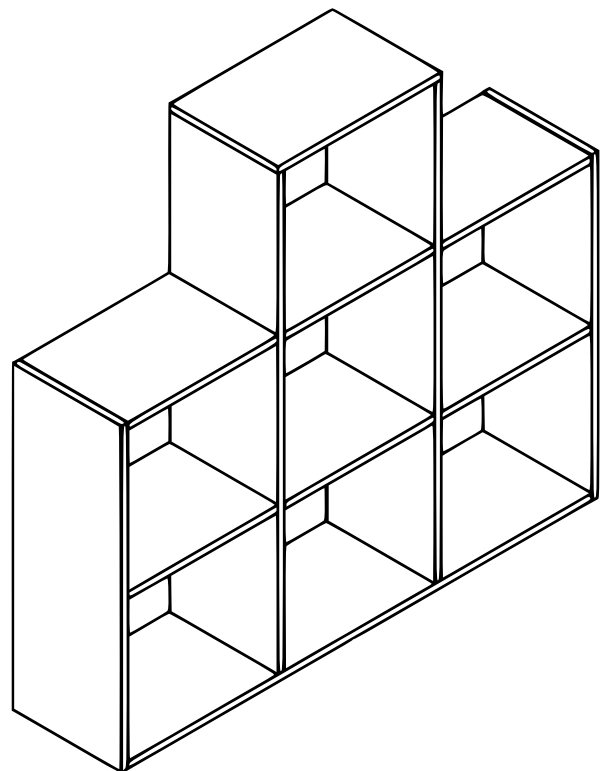
Step 3



Step 4



Step 5



Step 6

Important Note:

Reproduction and any commercial use (of parts) of this operating manual, requires a written permission of Wil-Tec Wildanger Technik GmbH.