






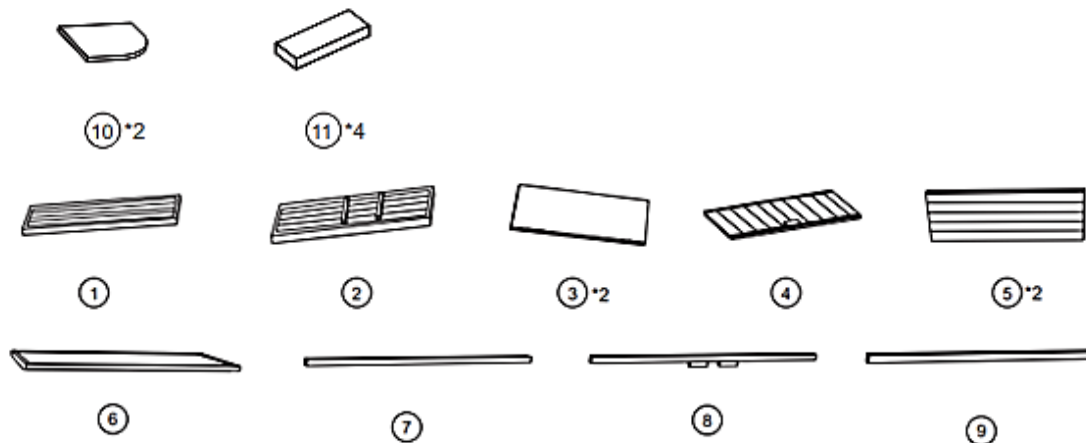


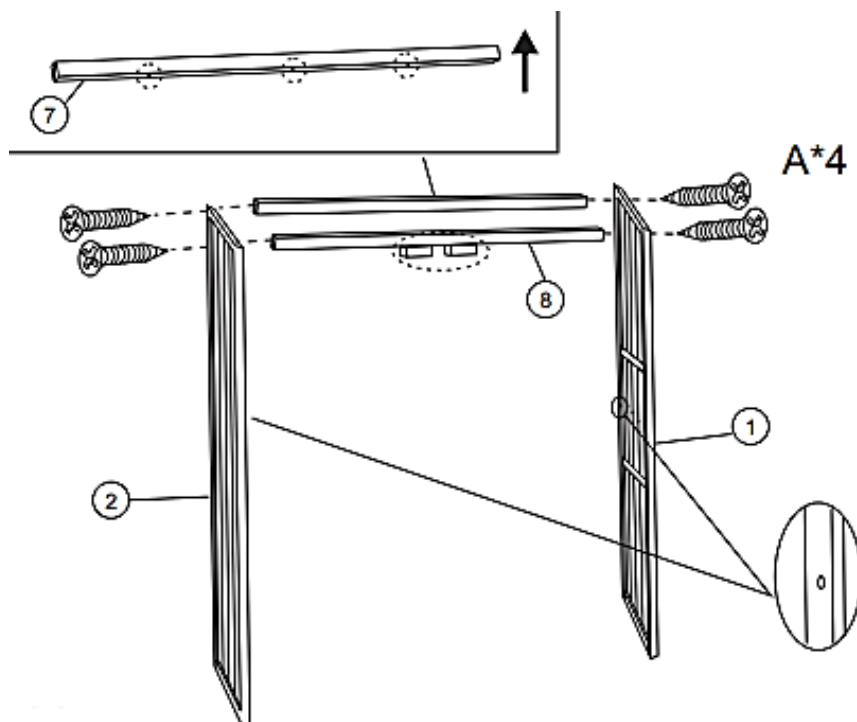


60821 – Utility Shed

- A  3.5*60 10 x
- B  3.5*45 6 x
- C  3.0*20 36 x
- D  3.5*30 4 x
- E  3.0*16 12 x
- F  3.5*20 4 x
- G  1 x



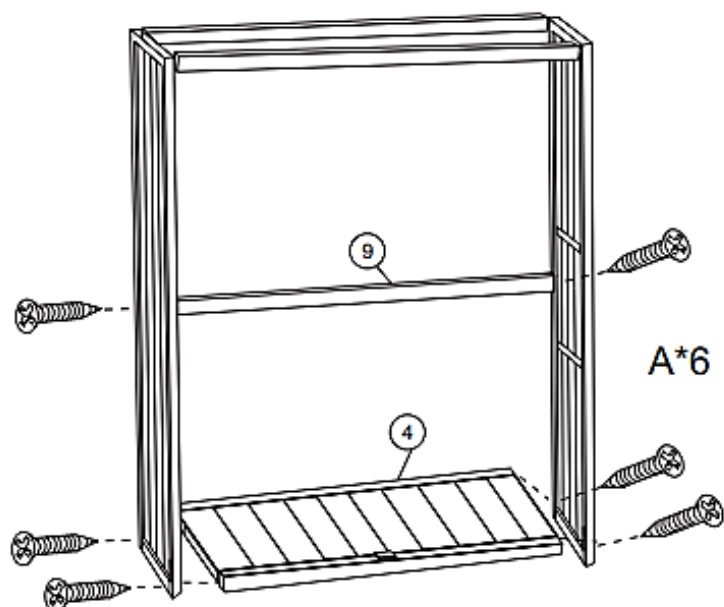
Step 1



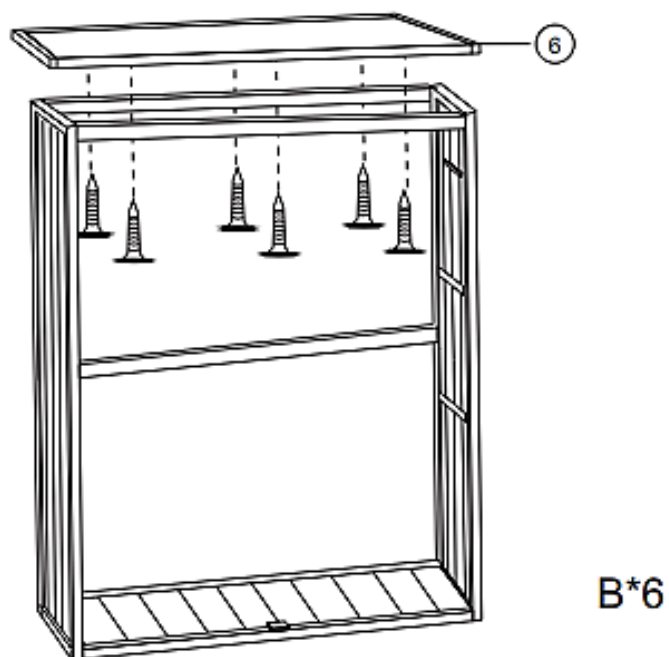
Attention! Pre-drilled holes point inwards!



Step 2

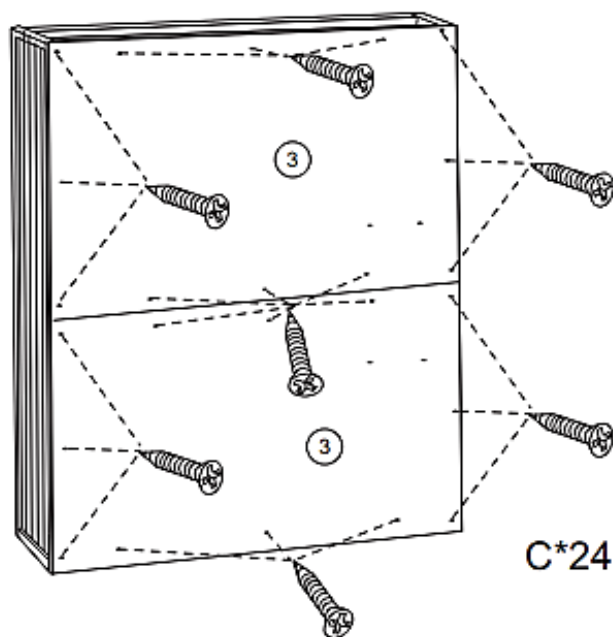


Step 3

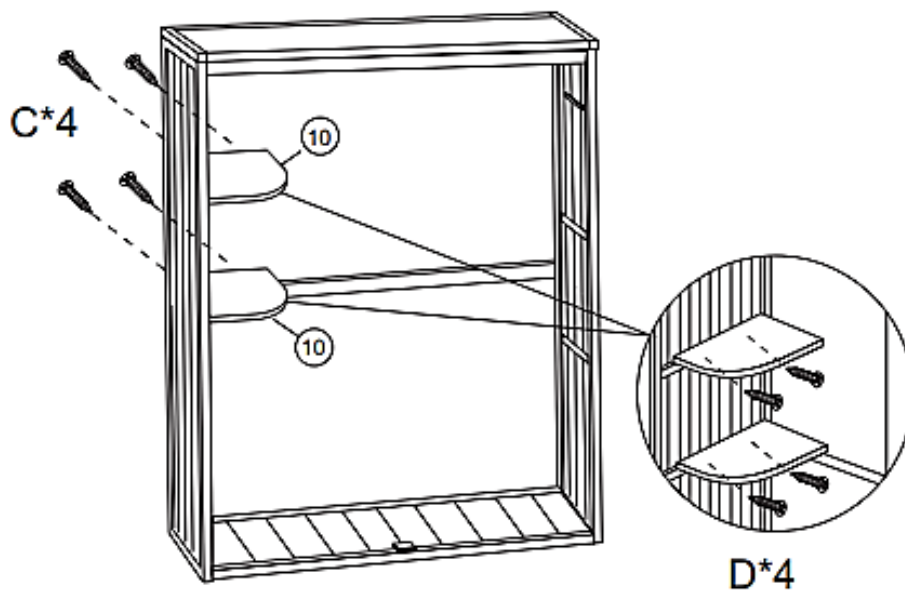




Step 4

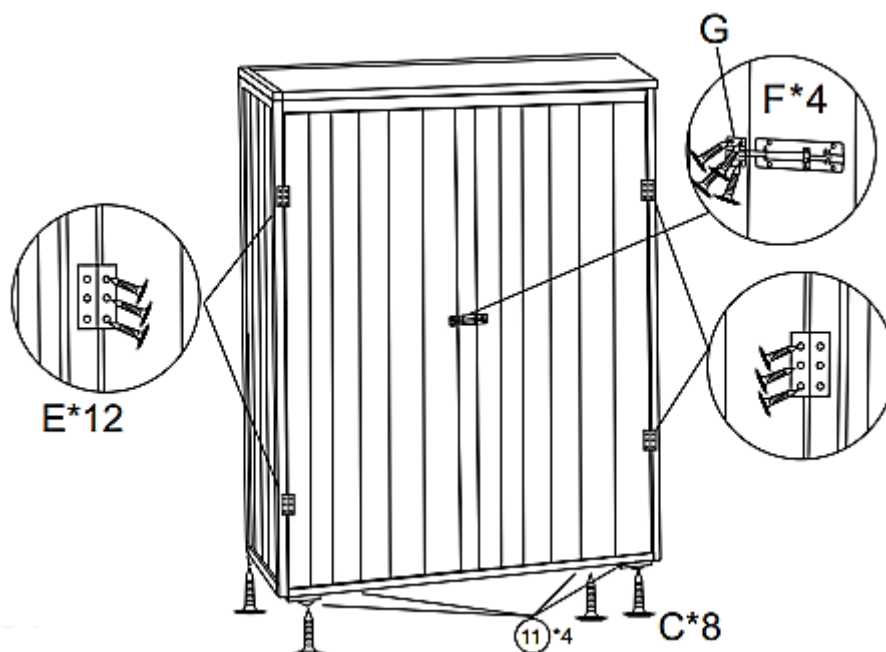


Step 5





Step 6



Important Note:

Reproduction and any commercial use (of parts) of this operating manual, requires a written permission of WilTec Wildanger Technik GmbH.