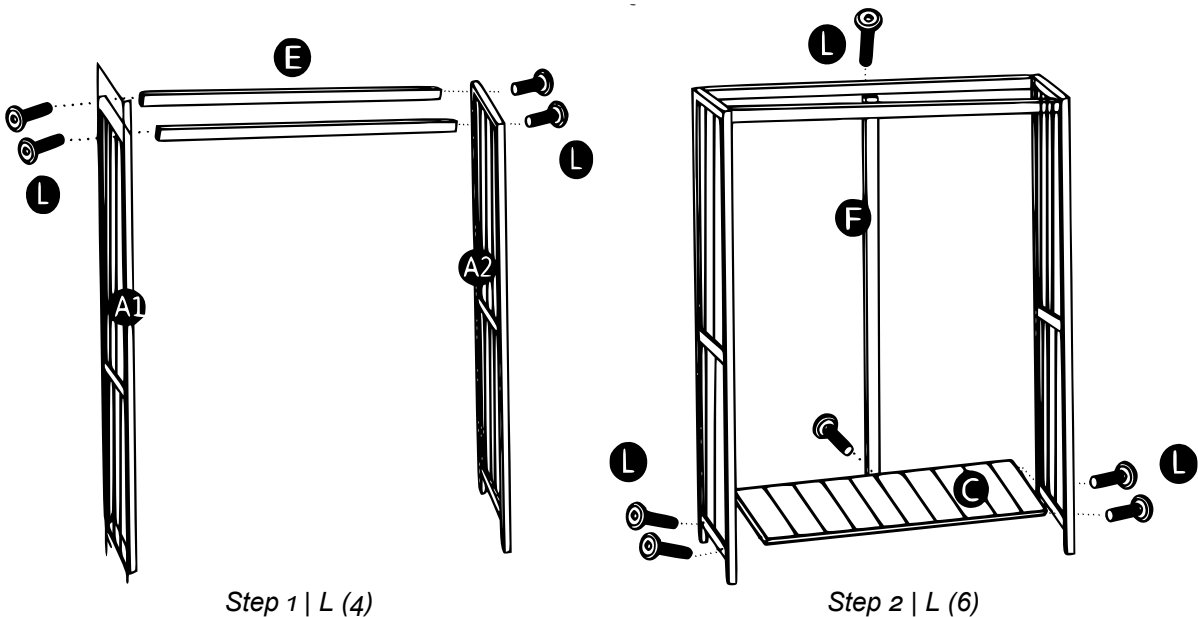
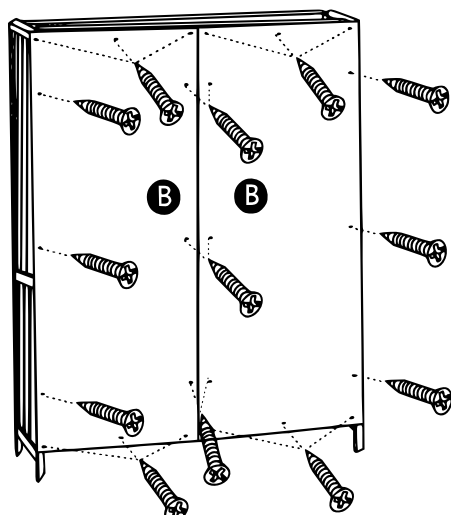


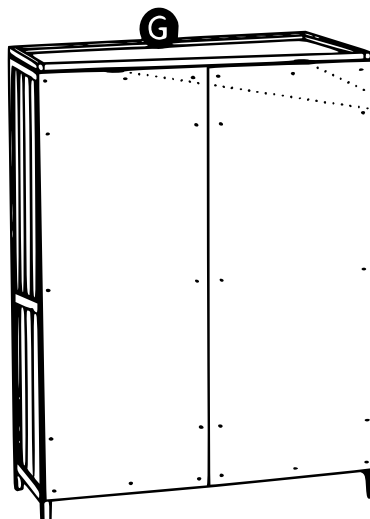


Letter	Figure	Qty.	Letter	Figure	Qty.
A1		1	I		1
A2		1	J		2
B		2	K		4
C		1	L	 M6×40	10
D		2	M	 M4×30	28
E		2	N	 M3×16	38
F		1	O		1
G		1	P		1
H		1			

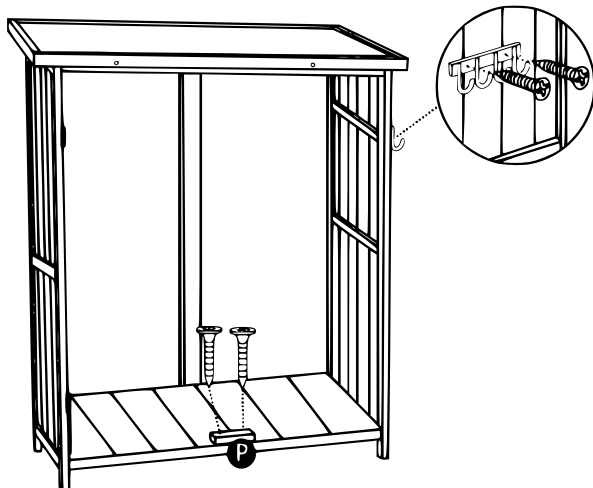




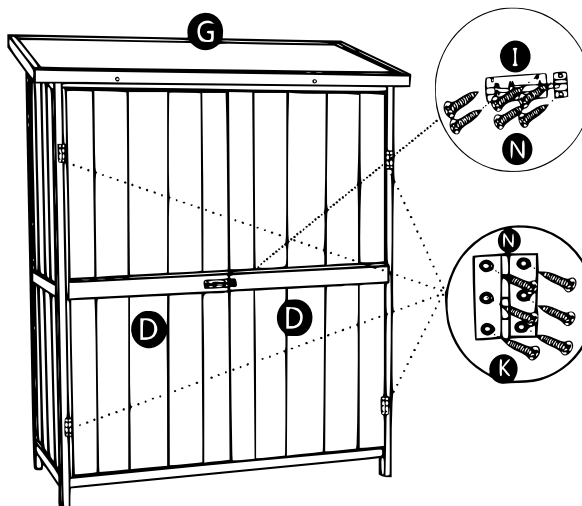
Step 3 | M (24)



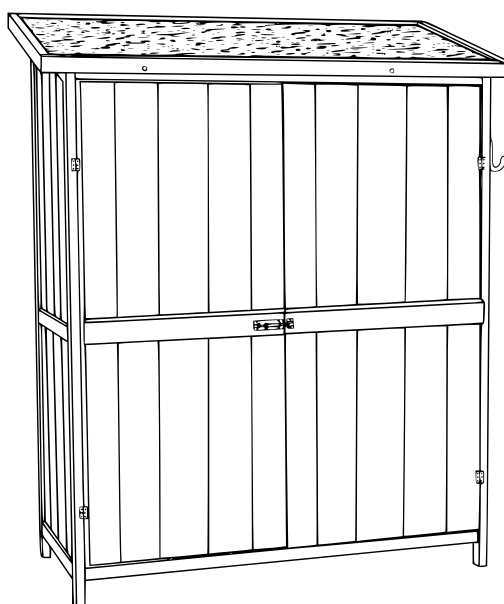
Step 4 | N (6)



Step 5 | M (4)



Step 6 | N (6)



Important Note: Reproduction and any commercial use (of parts) of this operating manual, requires a written permission of Wil-Tec Wildanger Technik GmbH.