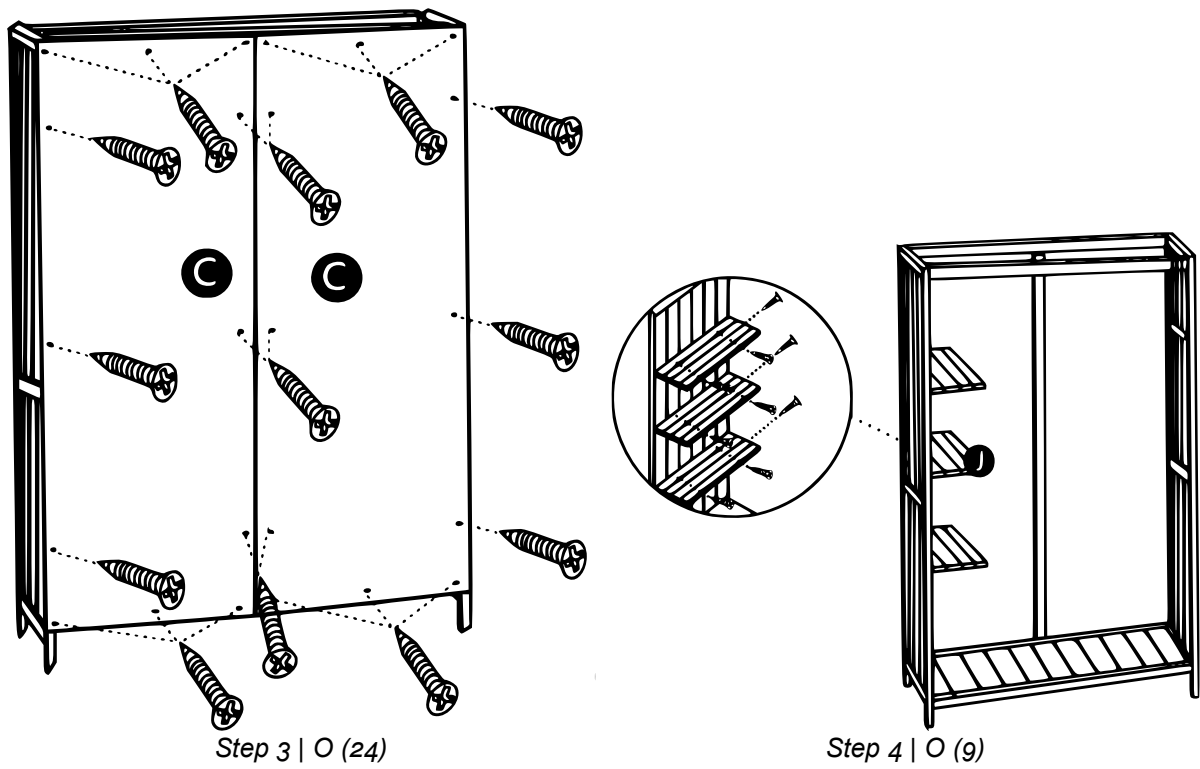
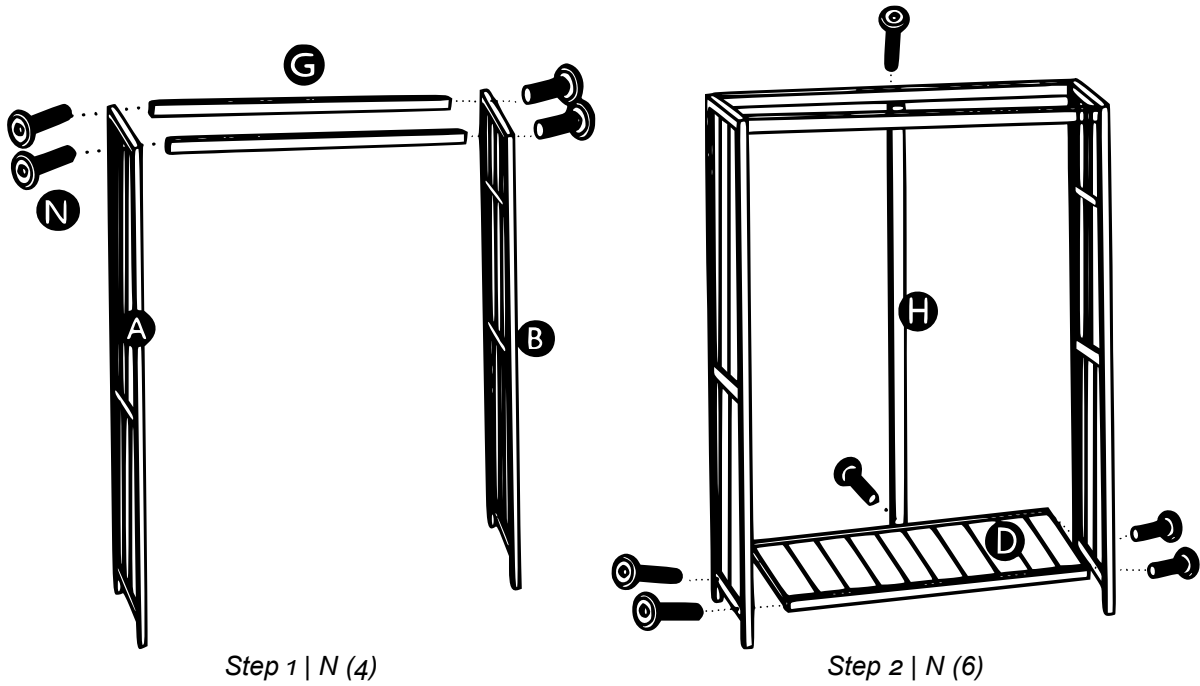
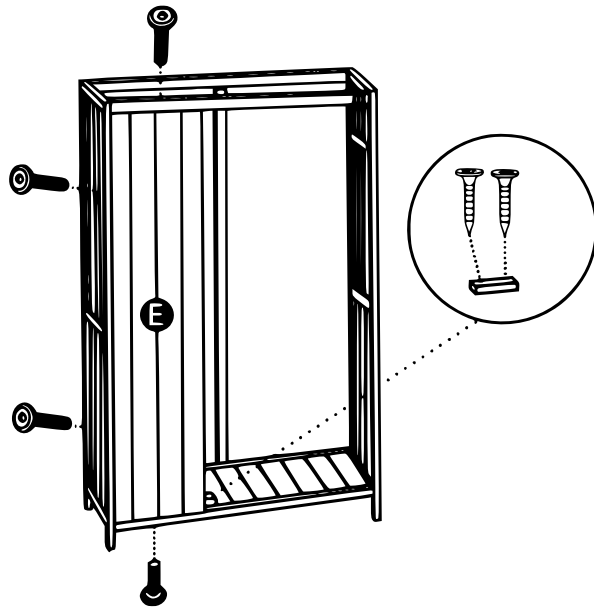


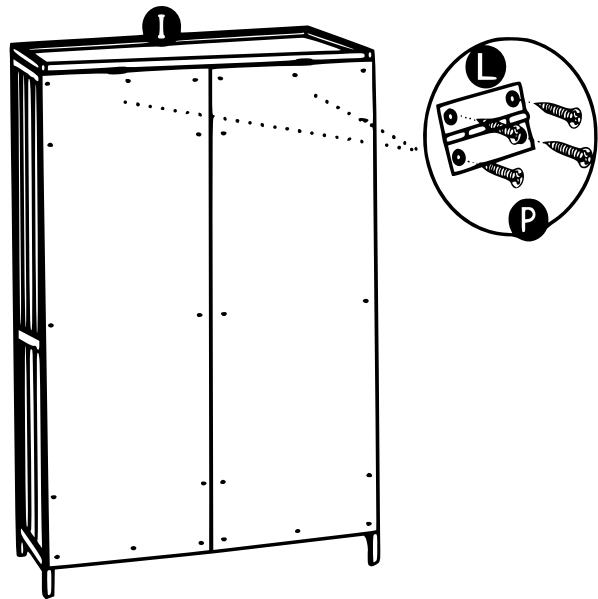


Letter	Figure	Qty.	Letter	Figure	Qty.
A		1	K		1
B		1	L		2
C		1	M		2
D			N	 M6×40	14
E			O	 M4×30	37
F			P	 M3×16	26
G			Q		1
H		1	R		1
I		1	S		1
J					

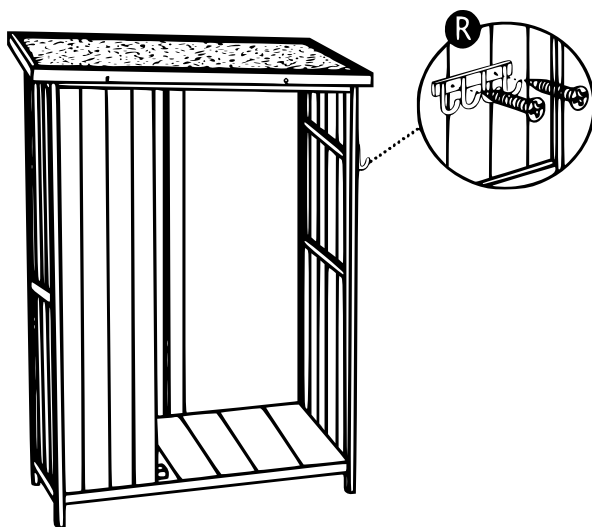




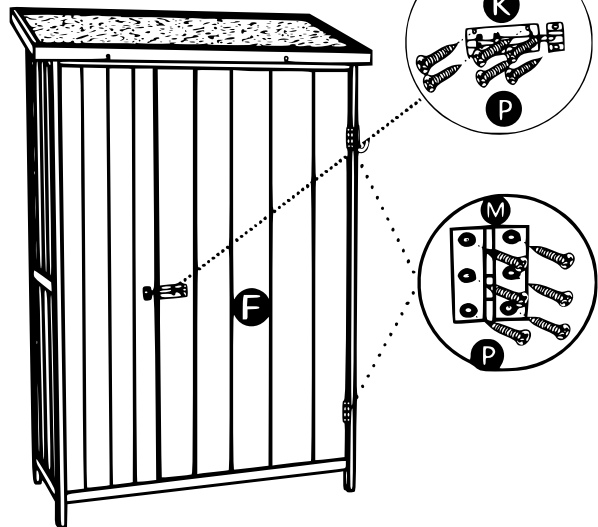
Step 5 | N (4) | O (6)



Step 6 | P (8)



Step 7 | O (2)



Step 8 | P (18)

Important Note:

Reproduction and any commercial use (of parts) of this operating manual, requires a written permission of Wil-Tec Wildanger Technik GmbH.