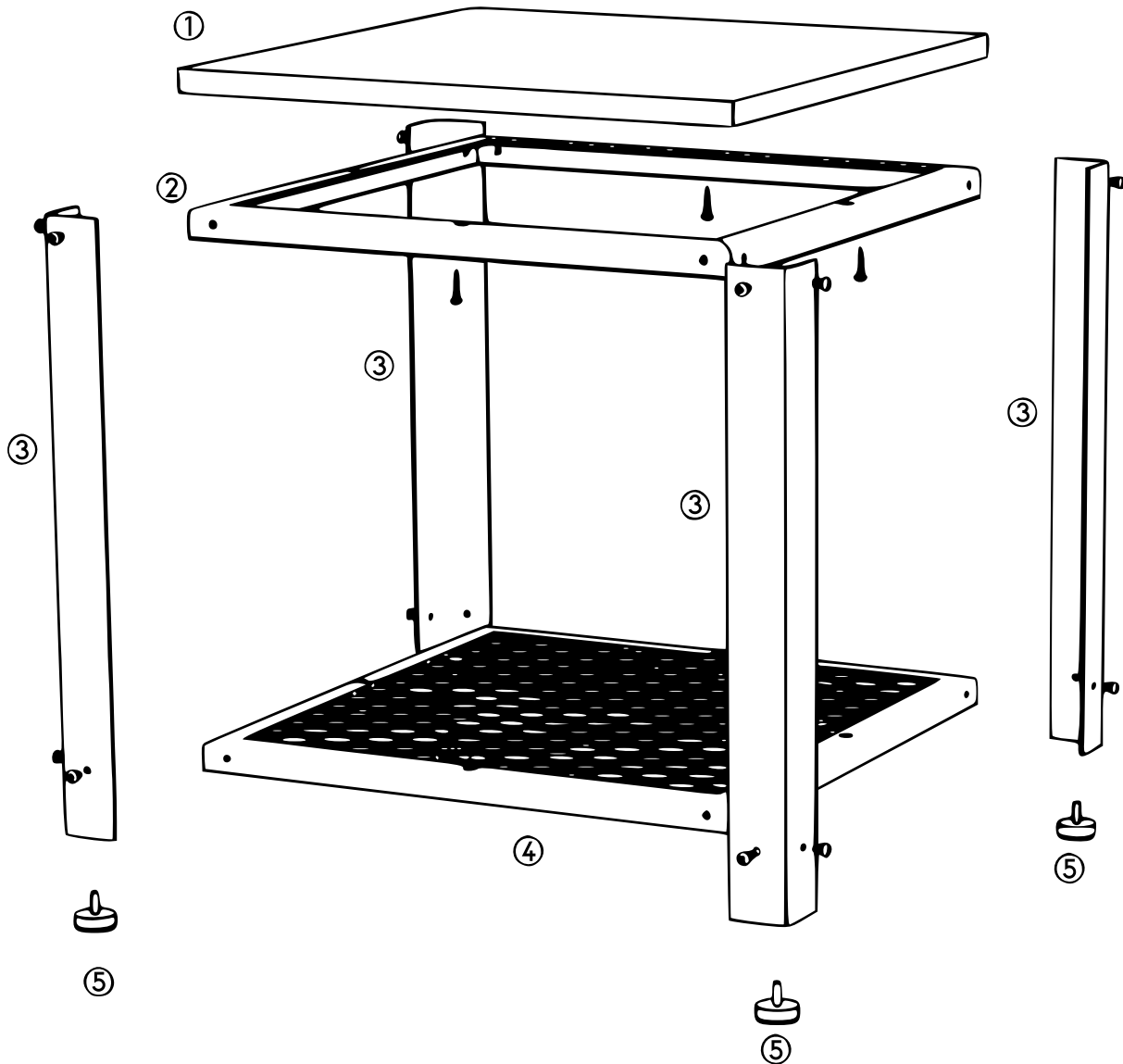




| № | Figure | Qty. | № | Figure | Qty. |
|---|--------|------|---|--------|------|
| 1 |        | 1    | 5 |        | 4    |
| 2 |        | 1    | 6 |        | 4    |
| 3 |        | 4    | 7 |        | 16   |
| 4 |        | 1    |   |        |      |



Important Note:

Reproduction and any commercial use (of parts) of this operating manual, requires a written permission of WilTec Wildanger Technik GmbH.