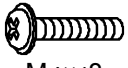

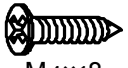
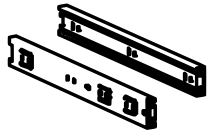



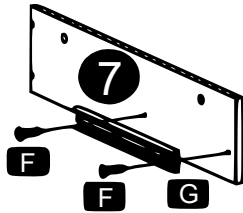
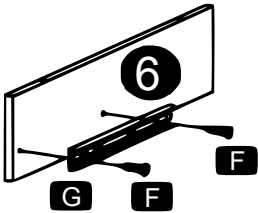
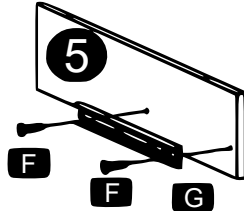
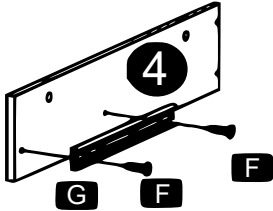


№	Figure	Qty.	№	Figure	Qty.
1		1	9		2
2		1	10		2
3		1	11		2
4		1	12		2
5		1	13		1
6		1	14		1
7		1	15		2
8		2			1

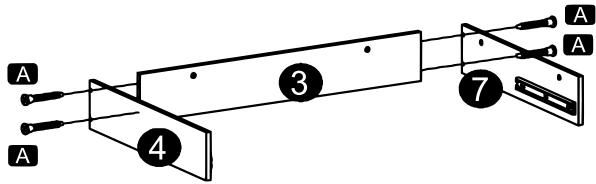
A	B	C	D1	D2
22	14	10	4	4



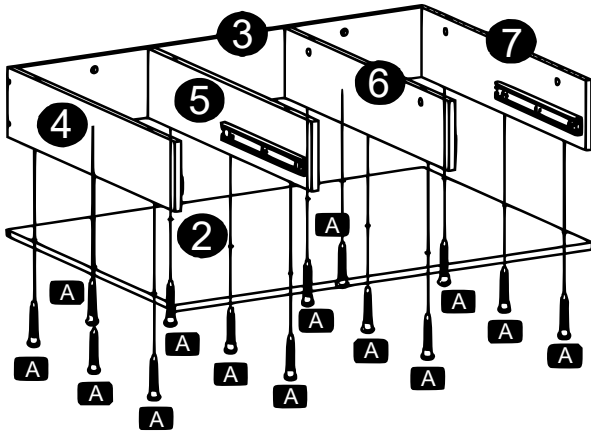
E1	E2	F	G	H
 M4x18		 M4x18		
4	2	16	4	10



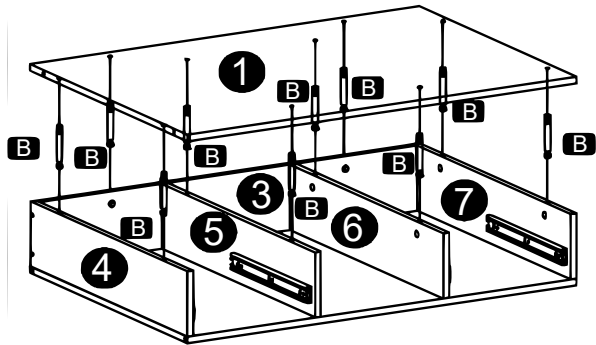
Step 1 | F (8), G (4)



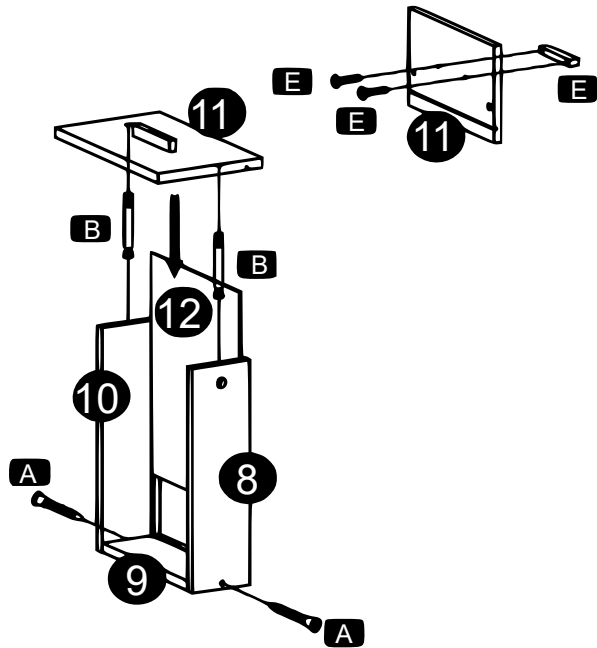
Step 2 | A (4)



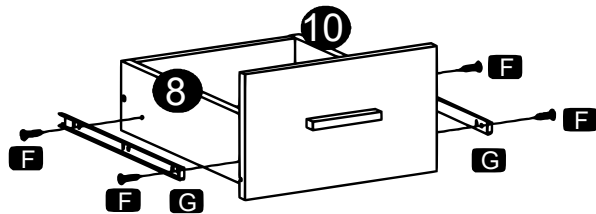
Step 3 | A (14)



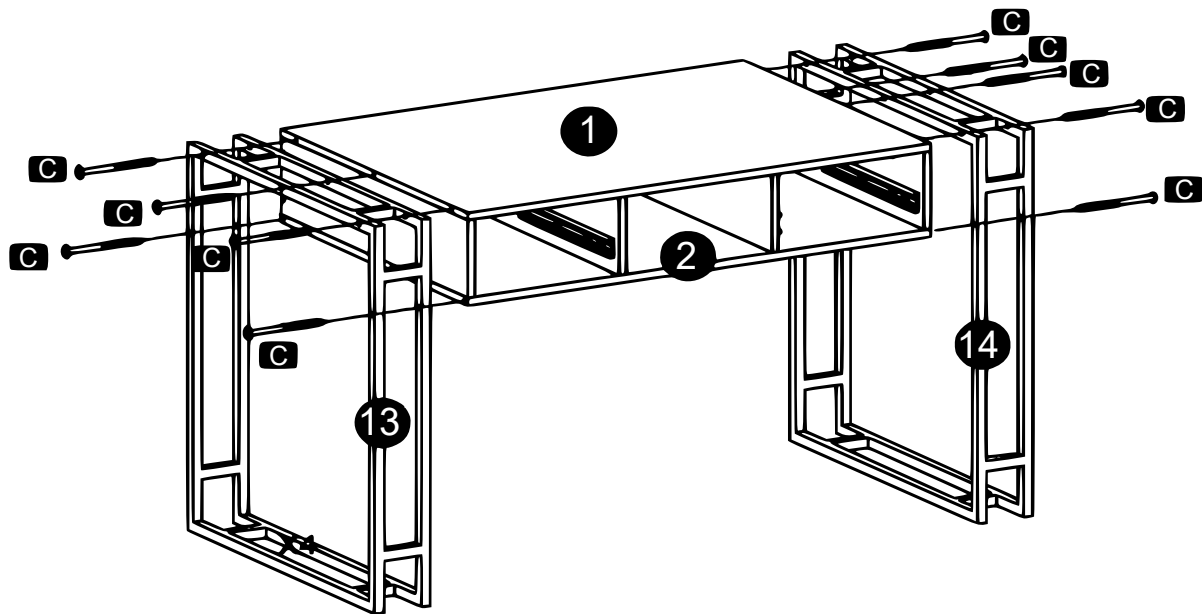
Step 4 | B (10)



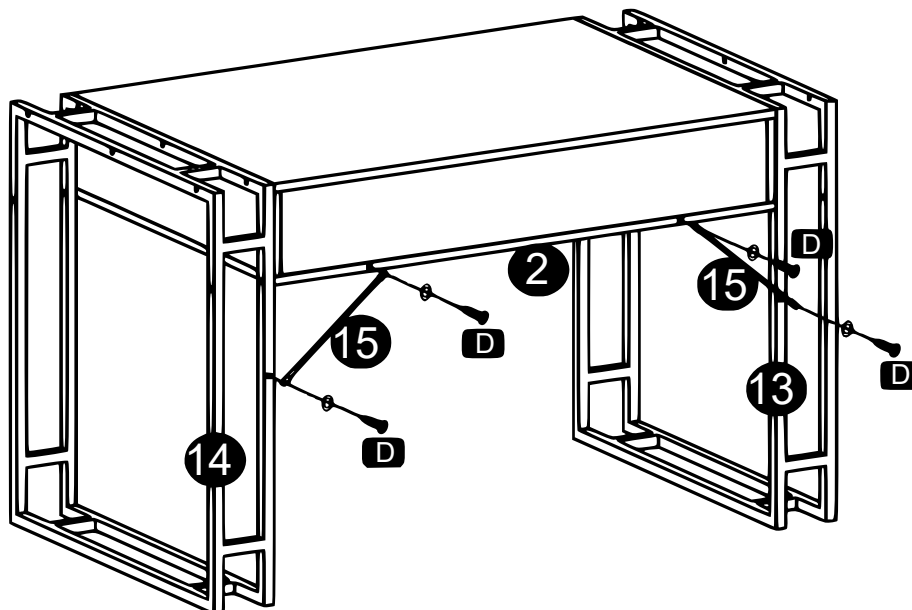
Step 5 | B (2), E1 (1), E2 (2), A (2)



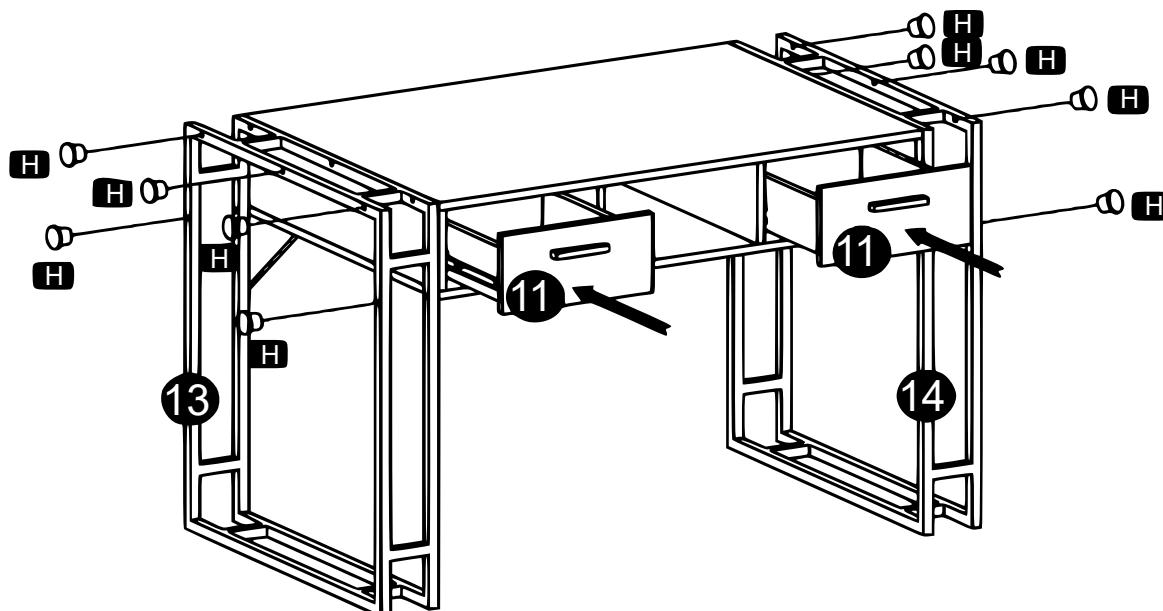
Step 6 | G (2), F (4)



Step 7 | G (10)



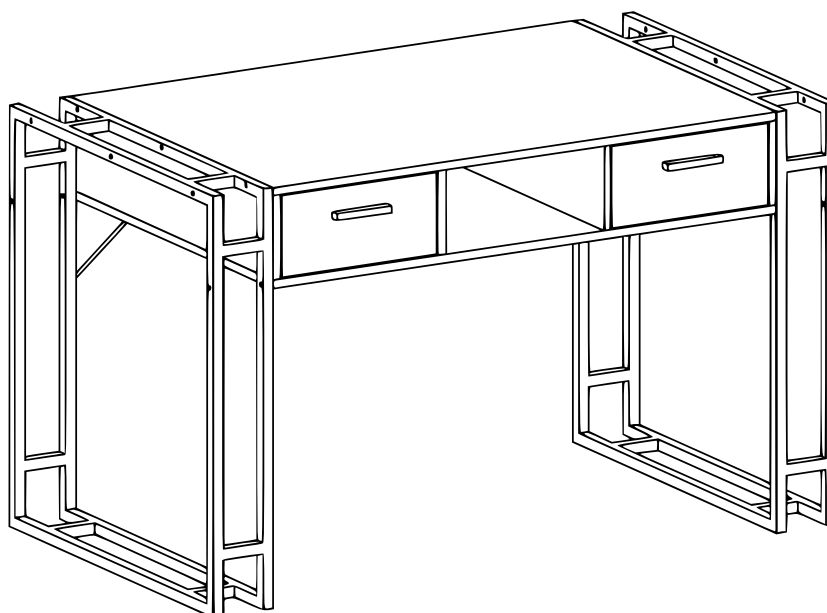
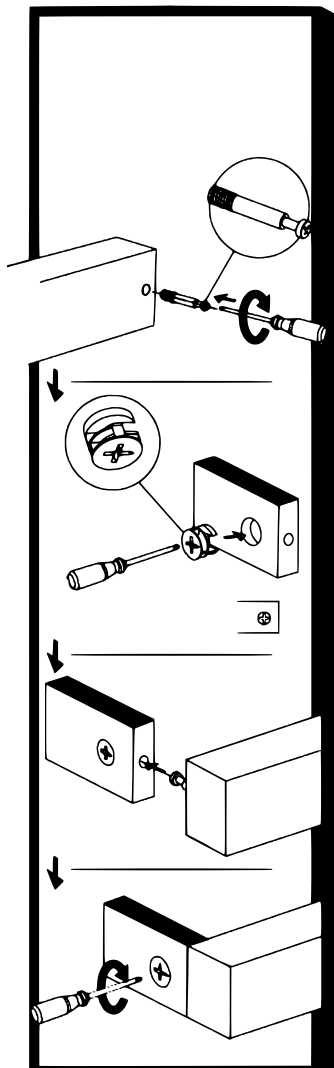
Step 8 | D1, D2 (4)



Step 9 | H (10)



**HOW TO USE THE
ECCENTRIC BOLTS**



Important Note:

Reproduction and any commercial use (of parts) of this operating manual, requires a written permission of WilTec Wildanger Technik GmbH.