

Operation Manual

Solar Shower

60865, 60866



Similar to image, may vary depending on model

Read and follow the operating instructions and safety information before use.

Technical changes reserved!

Due to further developments, illustrations, functioning steps, and technical data can differ slightly.



The information contained in this document may alter at any time without previous notice. It is prohibited to copy or spread any parts of this document in any way without prior written allowance. All rights reserved.

The WilTec Wildanger Technik GmbH cannot be held accountable for any possible mistakes in this operating manual, nor in the diagrams and figures shown.

Even though, the WilTec Wildanger Technik GmbH has undergone biggest possible efforts to ensure that the operating manual is complete, faultless, and up to date, mistakes cannot be entirely avoided.

If you should find a mistake or wish to make a suggestion for improvement, we look forward to hearing from you.

Send an e-mail to:

service@wiltec.info

or use our contact form:

<https://www.wiltec.de/contacts/>

The most recent version of this manual in various languages can be found in our online shop via:

<https://www.wiltec.de/docsearch>

Our postal address is:

WilTec Wildanger Technik GmbH
Königsbenden 12
52249 Eschweiler
Germany

To return orders for exchange, repair, or other purposes, please use the following address. Attention! To allow for a smooth execution of your complaint or return, it is important to contact our customer service team before returning the goods.

Returns Department
WilTec Wildanger Technik GmbH
Königsbenden 28
52249 Eschweiler

E-mail: **service@wiltec.info**

Tel: +49 2403 55592-0

Fax: +49 2403 55592-15



Introduction

Thank you very much for purchasing this quality product. To minimise the risk of injury, we ask you to always meet a few basic safety requirements, when using this product. Please read the operating manual thoroughly and ensure that you have understood it. Keep this operating manual for future reference.

Before the assembly

- Please read the safety notes and instructions thoroughly before assembly.
- Check the content of delivery for its integrity. Additionally, ensure that no part is missing or damaged.

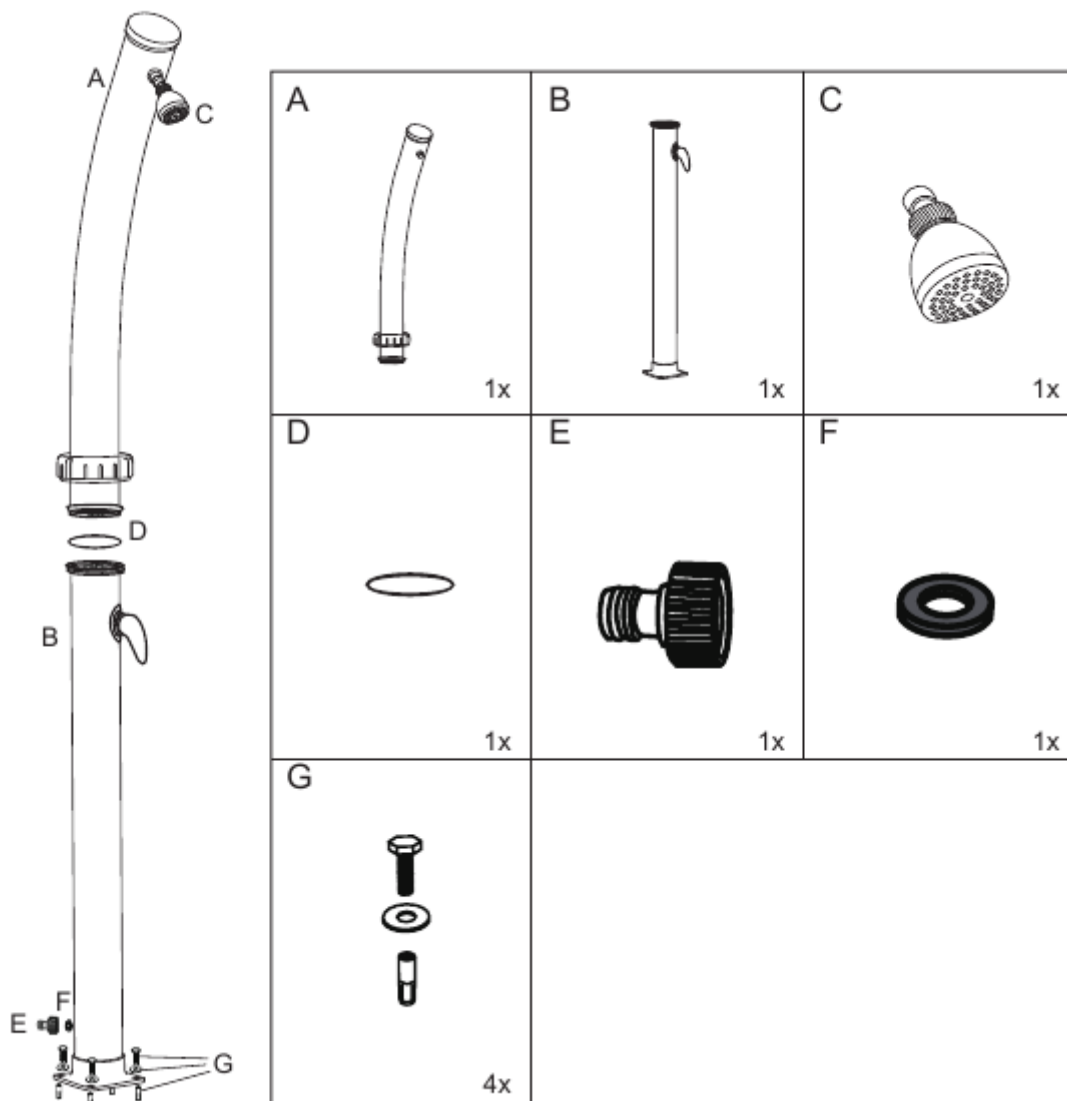
Safety notes

- Follow all safety notes and instructions. Non-compliance with the notes and improper use of the solar shower can lead to injury and/ or damage.
- The solar shower is only suitable for an outdoor use. It is not suitable for a use indoors or for commercial purposes.
- Do not modify the shower in any way.
- Do not use the shower during a thunderstorm.
- When the shower is not used for a longer duration, drain the water entirely.
- The maximal operating pressure should not exceed 3 bar.
- Make sure that the connected hose is attached properly.
- Ensure that all parts of the shower is assembled and attached properly.
- The filter of the shower head should be cleaned regularly. Otherwise, there is a danger of too high-pressure build-up and thus potentially a damage of the tank.
- **Attention!** Standing water supports the development of bacteria. If the shower has not been used for more than 3 days, let the water run for a short time, to replace the water in the tank. Please note that standing water in the tank does not have drinking water quality.
- Mount the shower to a stable, sturdy surface (e.g., a floor element), to enable an optimal stability.
- Do not use salt or frost protection in the water.

Assembly instructions, parts lists and explosion views

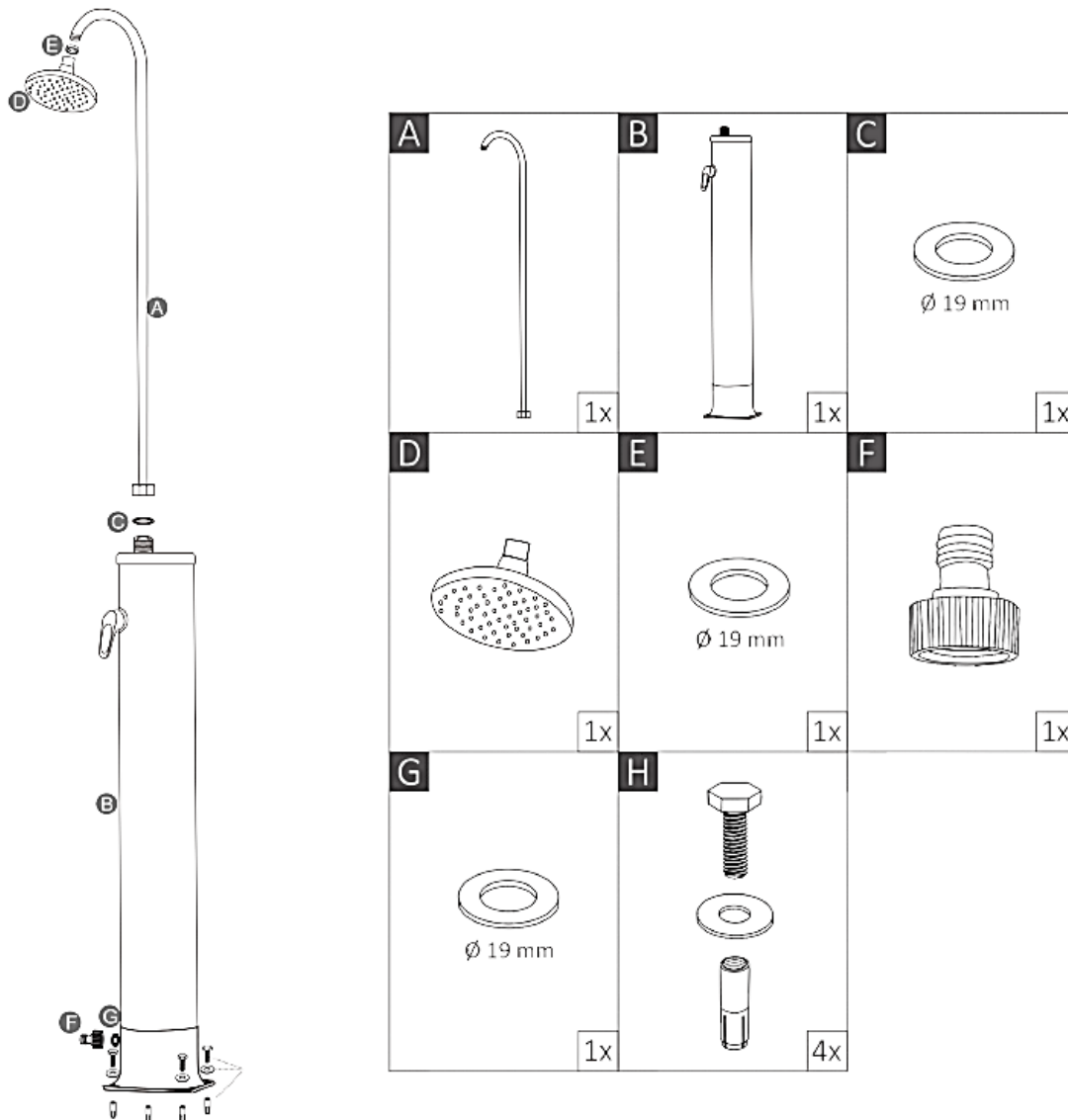
Model 60865

1. Choose a location for your solar shower. A location with a higher sun radiation is recommended.
2. Mount the base of the shower to a firm, even surface (floor element, stone slabs, wood panels, etc.). Use 4 bolts, washers, and pegs (**G**) for this. **Note!** Mark the required position of the drilling holes via the base. For the most precise drilling result.
3. Attach the shower head (**C**) at the upper part of the solar shower (**A**).
4. Place the O-ring (**D**) on the recess in the bottom part of the solar shower (**B**).
5. Place the upper bit of the solar shower (**A**) onto the lower part (**B**). Turn the upper part clockwise until both parts are connected with one another. Make sure that the shower head faces the same direction as the handle.
6. Attach the vent (**E**) and the seal (**F**) to the hose connection.



Model 60866

1. Choose a location for your solar shower. A location with a higher sun radiation is recommended.
2. Mount the base of the shower to a firm, even surface (floor element, stone slabs, wood panels, etc.). Use 4 bolts, washers, and pegs (**G**) for this. **Note!** Mark the required position of the drilling holes via the base, for the most precise drilling result.
3. Turn the shower head (**D**) on the upper part of the shower (**A**). Make sure that the seal (**E**) is between both elements.
4. Position the seal (**D**) and the upper part of the solar shower (**A**) onto the bottom part (**B**). Turn the upper part clockwise until both parts are connected with one another. Ensure that the handle faces the same direction of the shower head.
5. Attach the vent (**F**) and the seal (**G**) to the hose connection.





First commissioning

- Place the mixer lever to the “hot” position (red dots), so that there is no entrapped air left in the shower.
- Connect the garden hose to the hose connection. Then turn the water on to fill the water tank up. This process takes 2–3 min.
- As soon as the water flows out of the shower head, turn the water supply off. The water will start to warm up.
- The time of the heating is dependent on the solar radiation and the outer temperature.

Attention! With strong solar radiation, the water in the tank can get hot. To avoid burns, position the mixer lever to the “cold” position (blue dots) when turning the water on. As soon as the water has cooled down, the required temperature can be set.

Unmounting the shower

1. Remove the water supply hose from the solar shower when the season has ended.
2. Position the mixer lever to the “hot” position to empty the tank and hoses entirely.
3. After the tank has been emptied, dismantle the spare parts.
4. Dismantle the connection screws and let the left-over water run out of the bottom part of the shower.
5. Clean the spare parts with suitable cleaning detergents and dry them off thoroughly.
6. Store the shower in a dry, shady area. Make sure, that the shower is not subjected to frost.

Technical Data

Model		60865	60866
Size	Shower height (cm)	216.5	212
	Base (mm)	155×155	195×195
	Drill holes (mm)	∅ 12	∅ 12
Tank capacity (ℓ)		20	18
Weight (kg)		5.9	5.8
Max. operating pressure (bar)		3	
Equipment		Monsoon shower head	Adjustable shower head
		Temperature adjustment via mixer lever	Temperature adjustment via cold/warm turning valve
			Separable with screw closure
Material		PVC/ABS/chrome	PVC

Important note:

The reprint or reproduction, even of excerpts, and any commercial use, even in part of this instruction manual requires the written permission of the WilTec Wildanger Technik GmbH.