

Operation Manual

Hydraulic Engine Crane 2000 kg 61031



Illustration similar, may vary depending on model

Read and follow the operating instructions and safety information before using for the first time.

Technical changes reserved!

Due to further developments, illustrations, functioning steps, and technical data can differ insignificantly.

Updating the documentation

If you have suggestions for improvement or have found any irregularities, please contact us.



The information contained in this document may alter at any time without previous notice. It is prohibited to copy or spread any parts of this document in any way without prior written allowance. All rights reserved.

The WilTec Wildanger Technik GmbH cannot be held accountable for any possible mistakes in this operating manual, nor in the diagrams and figures shown.

Even though, the WilTec Wildanger Technik GmbH has undergone biggest possible efforts to ensure that the operating manual is complete, faultless, and up to date, mistakes cannot be entirely avoided.

If you should find a mistake or wish to make a suggestion for improvement, we look forward to hearing from you.

Send an e-mail to:

service@wiltec.info

or use our contact form:

<https://www.wiltec.de/contacts/>

The most recent version of this manual in various languages can be found in our online shop via:

<https://www.wiltec.de/docsearch>

Our postal address is:

WilTec Wildanger Technik GmbH
Königsbenden 12
52249 Eschweiler
Germany

To return orders for exchange, repair, or other purposes, please use the following address. Attention! To allow for a smooth execution of your complaint or return, it is important to contact our customer service team before returning the goods.

Returns Department
WilTec Wildanger Technik GmbH
Königsbenden 28
52249 Eschweiler

E-mail: **service@wiltec.info**

Tel: +49 2403 55592-0

Fax: +49 2403 55592-15



Introduction

Thank you for purchasing this quality product. **To minimise the risk of injury we urge that our clients take some basic safety precautions when using this device. Please read the operation instructions carefully and make sure you have understood its content.**

Keep these operation instructions safe.

This foldable workshop crane possesses a maximum lifting capacity of 2 tons and has been designed for lifting and holding light truck and car engines. To be able to lift such weights, the crane requires a leveller and/or chains. However, please be aware that neither the leveller nor the chains are included in the scope of delivery. After loading an engine onto the crane, make sure to place it onto an adequate stand as quickly as possible.

Technical specifications

Max. load capacity (kg)	Weight (kg)	Max. lifting height (mm)	Height of crane (mm)	Length of boom (mm)
2000	81	2300	1450	1550

Safety instructions

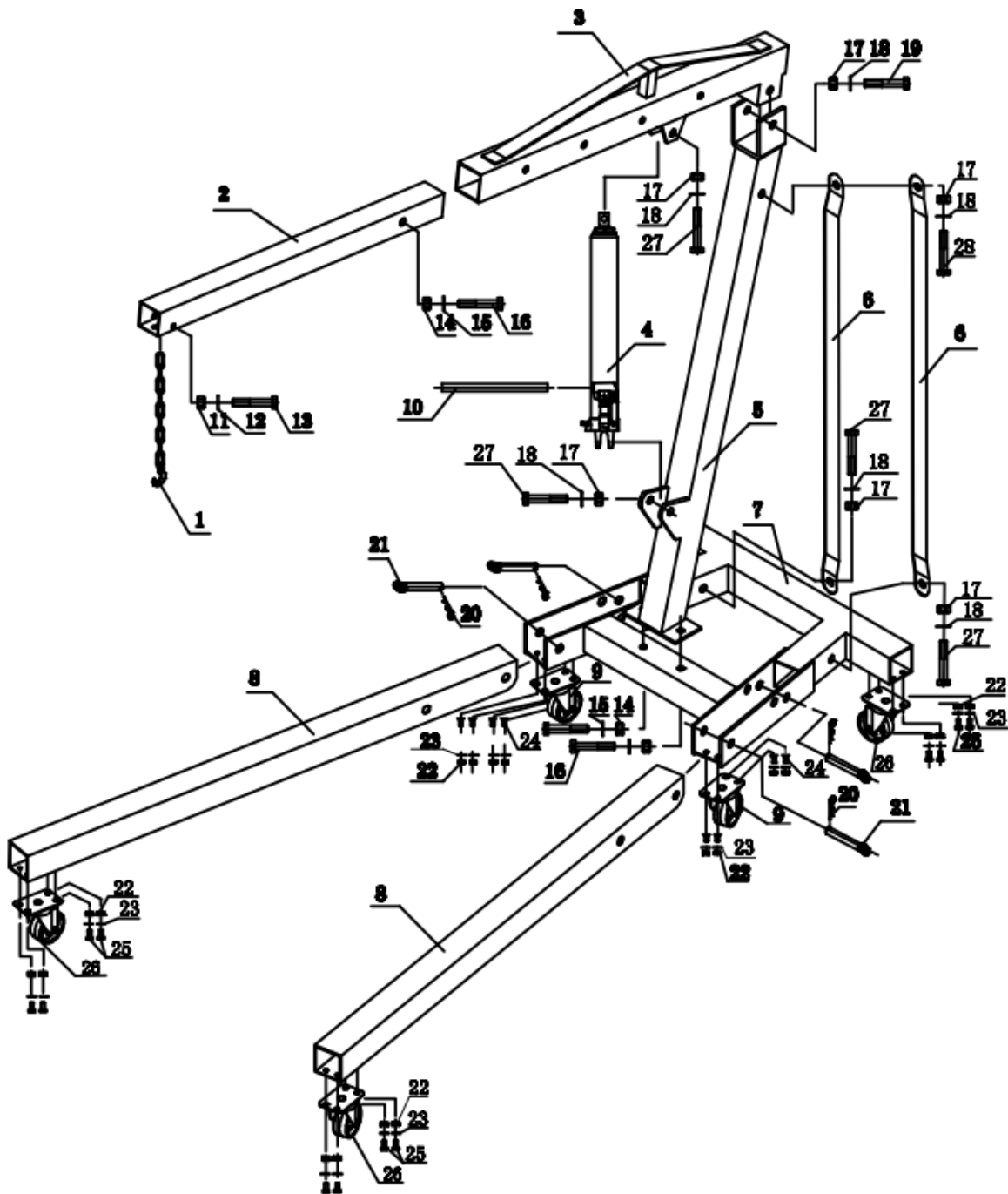
- Make sure to keep your work environment clean and ensure that it is well-lit. Working in cluttered and insufficiently lit working areas drastically increases the risk of injury.
- Pay attention to the local labour standards as well as the conditions of your work place. Do not use the product within wet or storage areas and do not expose it to rain.
- Children are by no means allowed to enter the working area and must be supervised to ensure that they do not play with the device.
- When not in use, store the product in a dry environment to avoid the formation of rust. Further ensure that the stored crane is inaccessible to children as well as unauthorised persons.
- This item has been designed for a certain purpose and can therefore safely and quickly deal with the intended tasks if used within its intended use. Do not modify the device, do not divert it from its intended use, and only use it with a speed appropriate for it.
- Do not wear loose clothing or jewellery, as they can get stuck inside the moving parts of the device and thereby cause severe injuries. It is recommended to wear protective, electrically non-conductive clothes as well as non-skid footwear equipped with steel toe caps.
- Do not overestimate your abilities and do not take any risks. Further ensure to always have a secure footing and to be capable of always keeping your balance.
- Keep your tools and devices clean to warrant a secure and correct functionality. Abide to the rules and guidelines described in this manual.
- Do not operate tools or machines if tired or under the influence of alcohol, drugs, or medicine. Stay alert while using this product to minimise the risk of injury.
- Carefully check the product before every use and make sure that it is undamaged to further minimise the risk of injury. Do not use this device if parts are damaged or not working correctly.
- Only use identical and original spare parts. Attachments and accessories used must be specifically intended for this device.
- Always make sure to properly secure the load in a way that it can neither shift nor slip off, and never lift objects over people. Unsecured or badly secured loads can lead to severe injuries and even death.
- Never exceed the maximum lifting capacity of the crane and be aware of potential weight shifts due to moving load. A load swinging or suddenly jerking at the chain may lead to a temporary increase in weight. This might cause in turn the crane or load to be damaged and can even be the cause of severe injuries.
- Maintenance must be performed regularly to guarantee the secure and correct function of the device. However, it should only be performed by specially trained personnel. In case of questions contact the producer or a qualified person.
- Note that this product is not suited for lifting aircraft engines or other aircraft parts.



- Do not try to move the crane while it is carrying weight with its boom in a raised position, as this shift in weight greatly increases risk of the crane tipping over.
- Only use the crane on an even surface capable of withstanding the weight to avoid cave-ins and inadvertent rolling. This minimises the swinging of the load at the same time, which in turn minimises the risk of injury.
- Make sure that no one else is standing in the path of the crane when moving the same.

Parts list and explosion view

Nº	Name	Qty.	Nº	Name	Qty.
1	Hook	1	15	Washer $\varnothing 14$	3
2	Extension boom	1	16	Bolt M14 \times 90 (8.8 size)	3
3	Boom	1	17	Nut M16	6
4	Long ram jack	1	18	Washer $\varnothing 16$	6
5	Support post	1	19	Bolt M16 \times 110 (8.8 size)	1
6	Support brace	2	20	Wire-steel cotter pin	4
7	Base	1	21	Round pin	4
8	Leg	2	22	Nut M8	24
9	Caster wheel ($\varnothing 75$)	2	23	Washer $\varnothing 8$	24
10	Handle	1	24	Flat shoulder bolt M8 \times 16	8
11	Nut M12	1	25	Nut M8 \times 16	16
12	Washer $\varnothing 12$	1	26	Caster wheel ($\varnothing 90$)	4
13	Bolt M12 \times 75 (8.8 size)	1	27	Bolt M16 \times 90 (8.8 size)	4
14	Nut M14	3	28	Bolt M16 \times 100 (8.8 size)	1



Application

- To raise the boom extension, close release valve of the hydraulic cylinder. Then attach the lever to the hydraulic cylinder and utilise it by pumping until the boom extension has reached the desired height.
- The boom length can be extended by removing the bolt and the nut placed in the same, before pulling the boom extension out until the pre-drilled holes overlap. Now reinsert the bolt and secure it with the appropriate nut.
- **WARNING!** The maximum lifting capacity of the crane must not be exceeded. Infringement can lead to severe damage and injuries. Please be aware that the maximum lifting capacity decreases with an increasing boom length.
- Position the crane in a way that the object to be lifted is placed directly beneath the hook.



- By slightly opening the release valve the hook can be lowered, before the item you want to lift can then be attached to the hook. Once the item has been attached to the hook, make sure that the safety latch of the hook is completely closed. Then close the release valve and utilise the lever to raise the boom.
- Exercise extreme caution when lifting loads, ensure that they have been secured appropriately and make sure that they do not swing. Inappropriately secured or swinging loads carry an increased risk of falling off the hook.
- Once the item has been lifted out of its mount, lower the boom to be able to slowly and carefully transport the item.

Maintenance

- Always make sure to check the entire device before each use to ensure that the crane is in pristine condition.
- Make sure that the hook and chain are clean and thereby free from grease, dirt, and debris.
- In case the hydraulic system of the crane does not operate correctly, air might have entered the same. Please abide to the following steps to remove the air from the system:
 - First make sure that the boom is in its home position (the boom is completely lowered).
 - Remove the oil fill plug and pour some additional hydraulic oil into the tank.
 - Now begin to pump until the boom has reached its maximum height.
 - Open the release valve and press the boom down until the cylinder has been completely retracted.
 - Add some more hydraulic oil and reinsert the oil fill plug.
 - Repeat these steps if necessary.
- We advise the use of a wet towel in combination and a mild detergent for cleaning purposes.
- In case of a decrease of lifting capacity, please check the device's oil level and replenish it if necessary.

Important notice:

The reprint or reproduction, even of excerpts, and any commercial use, even in part, of this instruction manual require the written permission of WiITec Wildanger Technik GmbH.