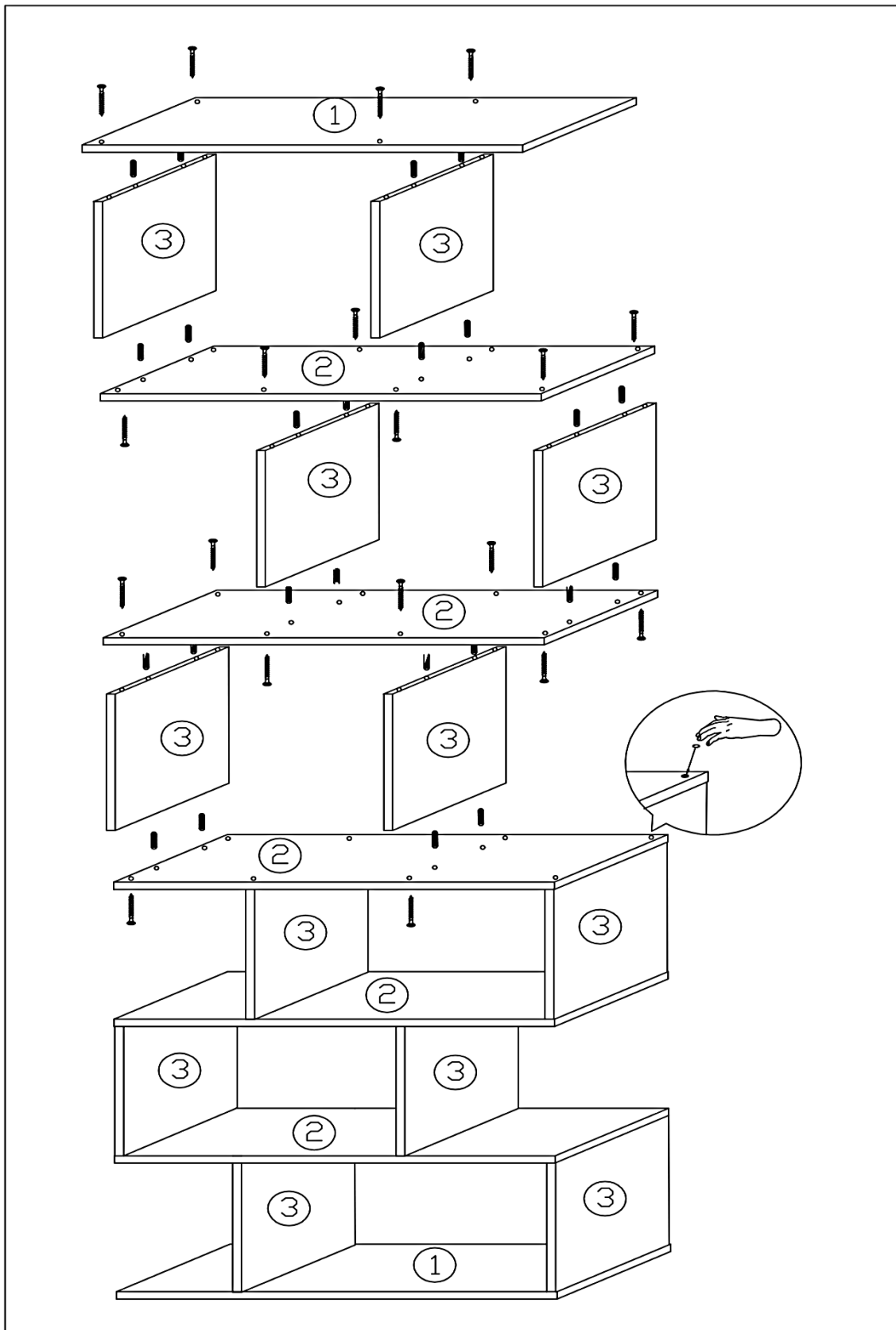




61065 – S-shaped Display Shelf

A	3.5*14	4PCS	
B	3.5*35	48PCS	
C	4*50	2PCS	
D		48PCS	
E		2PCS	
F		2PCS	
G		48PCS	



Important Note:

Reproduction and any commercial use (of parts) of this operating manual, requires a written permission of WilTec Wildanger Technik GmbH.