

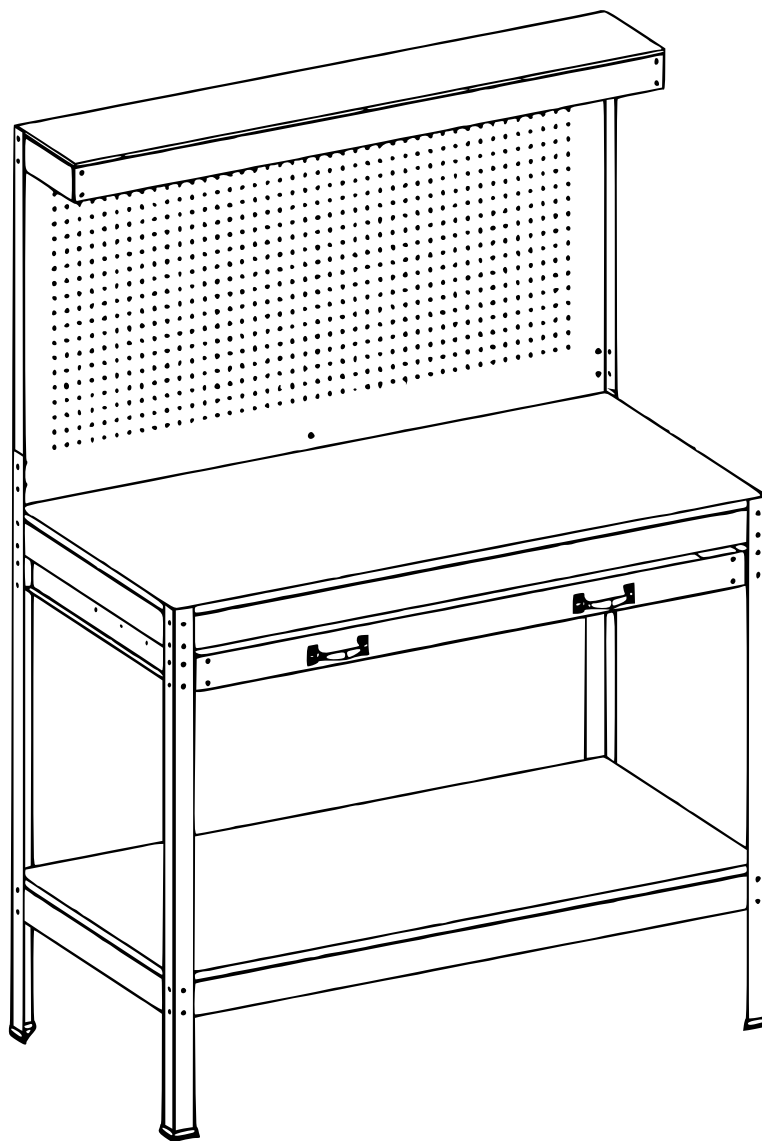
ASSEMBLY INSTRUCTIONS

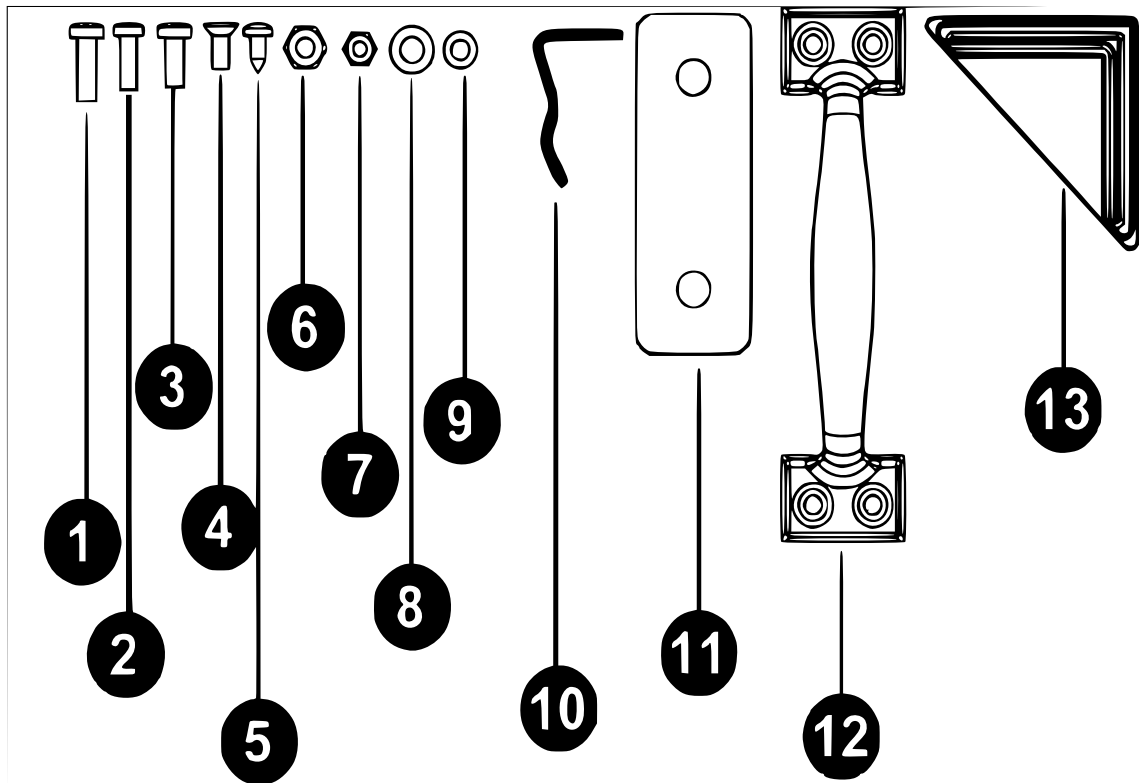
61187–61190 – Workbench with Peg Board

Technical specifications

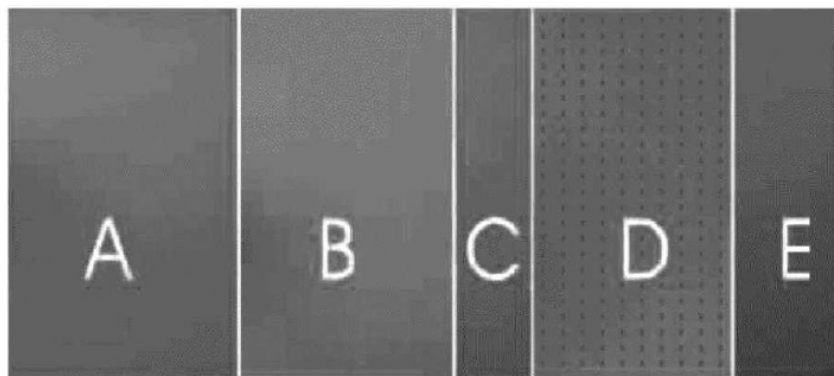
Item №	Total size (mm)	Work surface size (mm)	Drawer size (mm)	Roof size (mm)
61187	1150 × 550 × 1400	1160 × 556 × 9	1049 × 402 × 6	1162 × 228 × 6
61188	800 × 500 × 1400	795 × 495 × 9	649 × 402 × 6	792 × 217 × 6
61189	1200 × 550 × 1500	1195 × 545 × 9	1085 × 402 × 6	1200 × 228 × 6
61190	1200 × 600 × 1600	1195 × 545 × 9	1085 × 402 × 6	1200 × 228 × 6

Parts

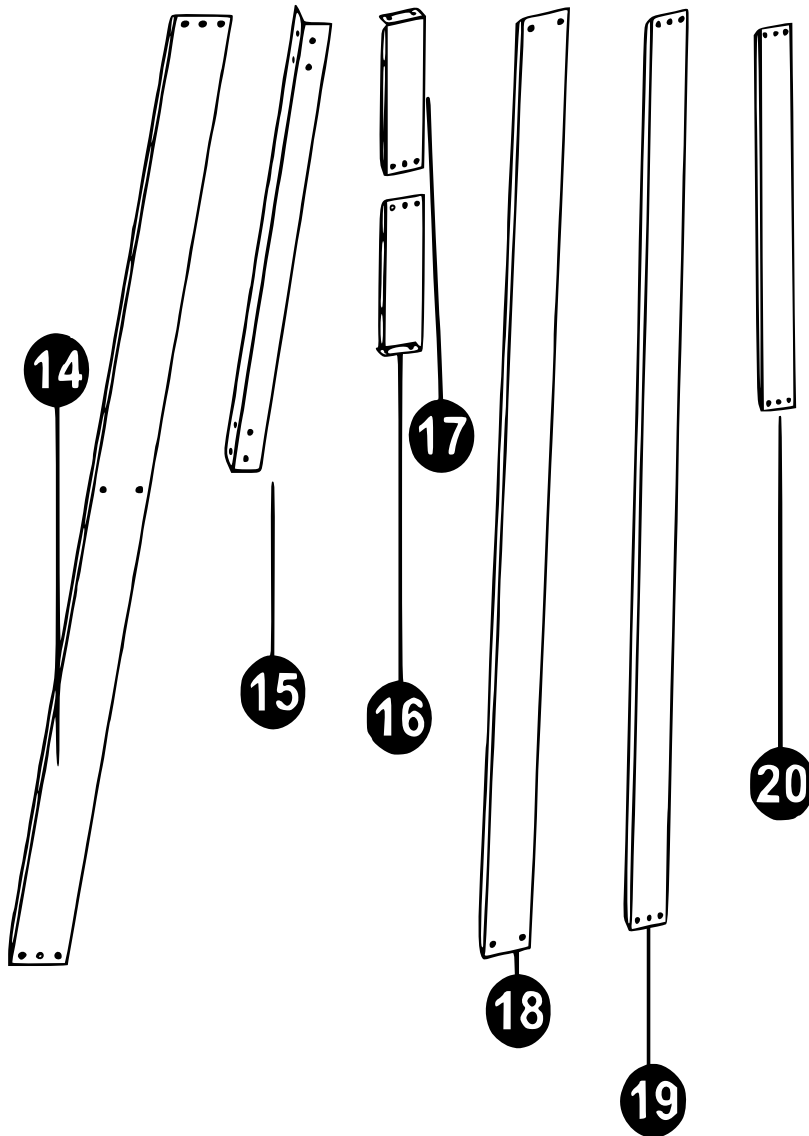




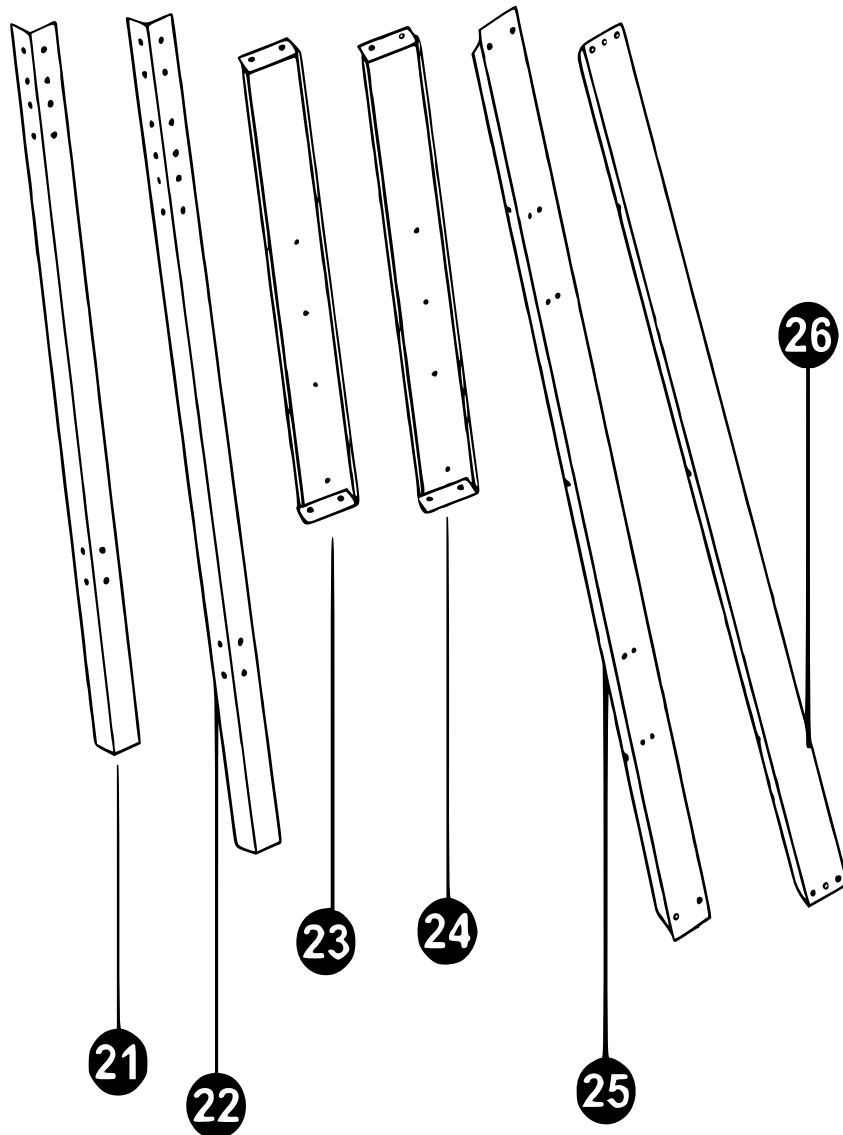
Nº	Dimensions (mm) and quantity	Nº	Dimensions and quantity
1	M6×14 (8×)	8	M6 (71×)
2	M4×12 (10×)	9	M4 (18×)
3	M6×10 (63×)	10	(12×)
4	4M×10 (8×)	11	(1×)
5	(4×)	12	(2×)
6	M6 (71×)	13	(4×)
7	M4 (18×)		



A	1×	B	1×	C	1×	D	1×	E	1×
----------	----	----------	----	----------	----	----------	----	----------	----

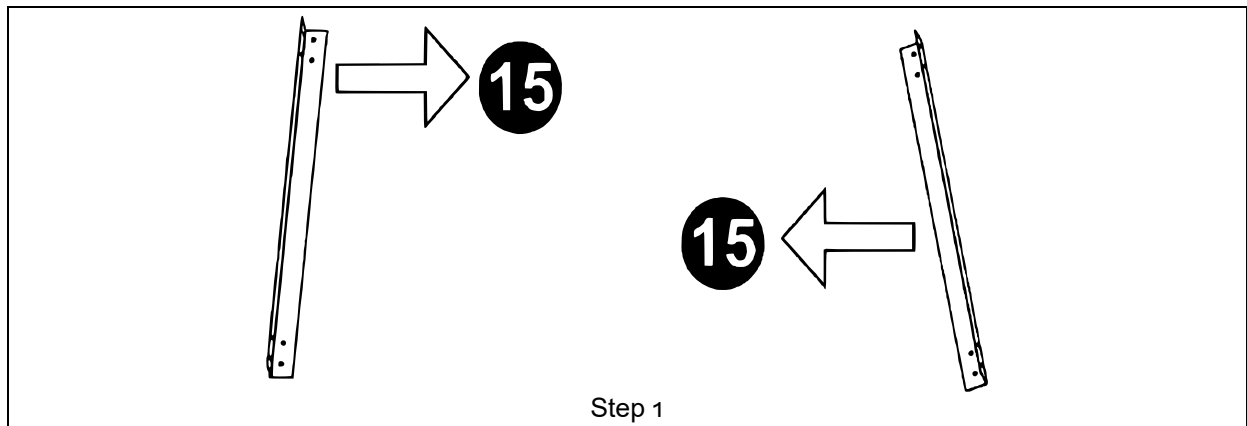


14	2×	15	2×	16	1×	17	1×	18	1×	19	3×	20	4×
----	----	----	----	----	----	----	----	----	----	----	----	----	----

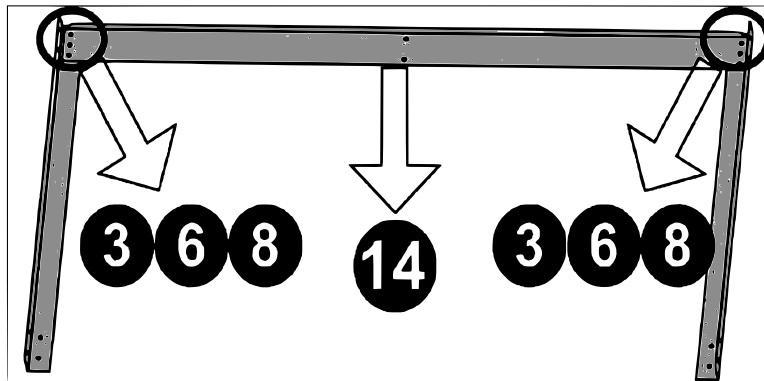


21	2×	22	2×	23	1×	24	1×	25	1×	26	1×
----	----	----	----	----	----	----	----	----	----	----	----

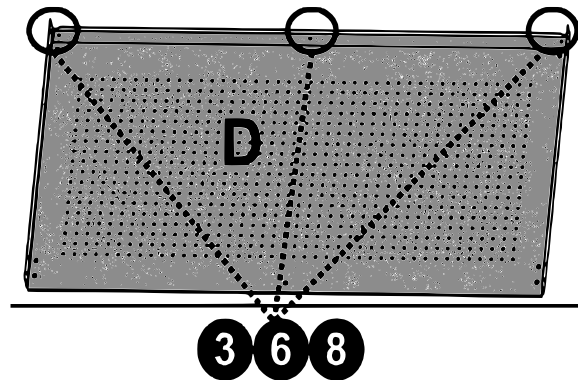
Assembly



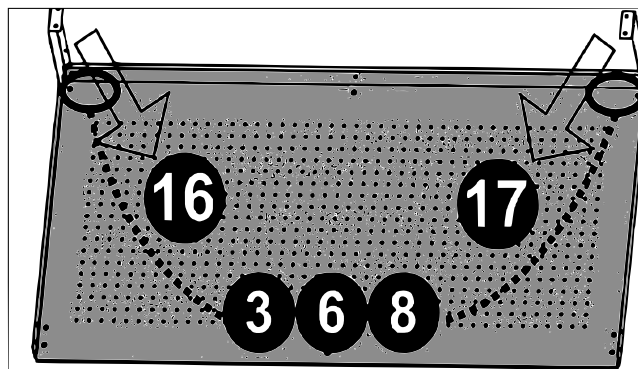
ASSEMBLY INSTRUCTIONS



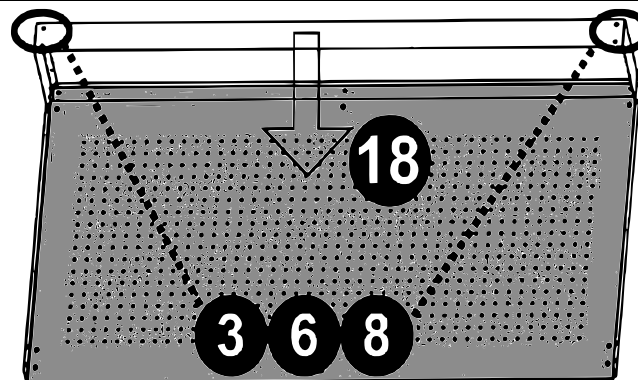
Step 2



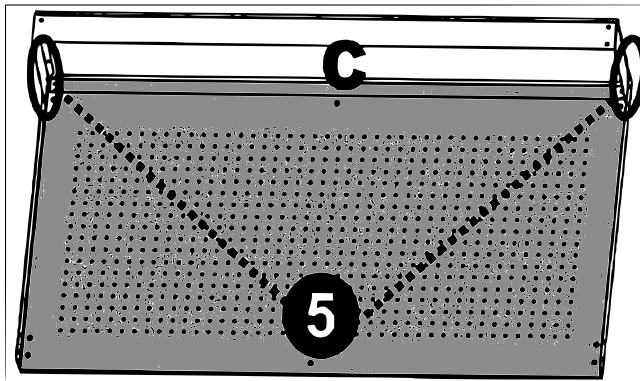
3 sets
Step 3



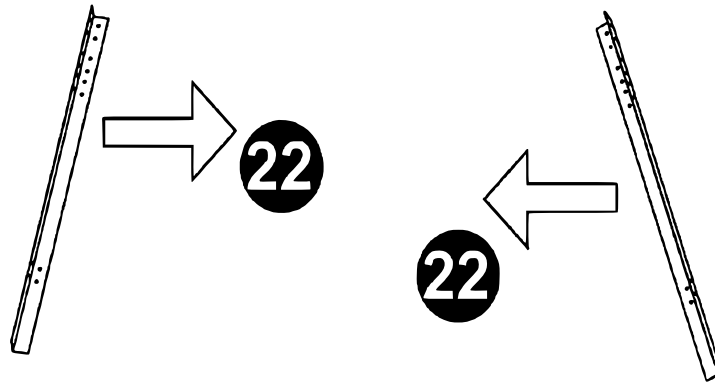
4 sets
Step 4



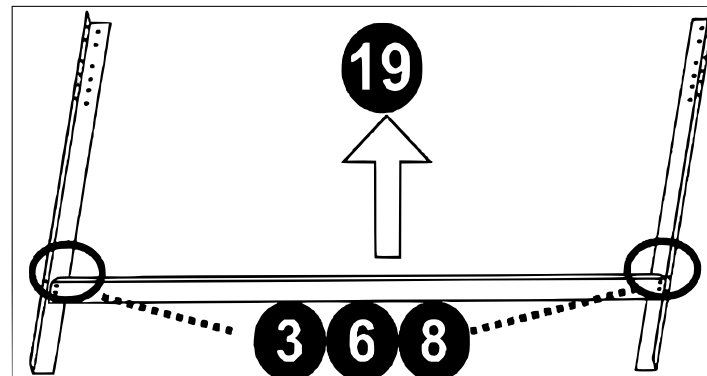
4 sets
Step 5



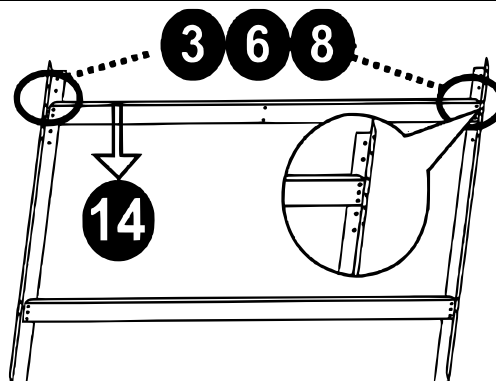
4 sets
Step 6



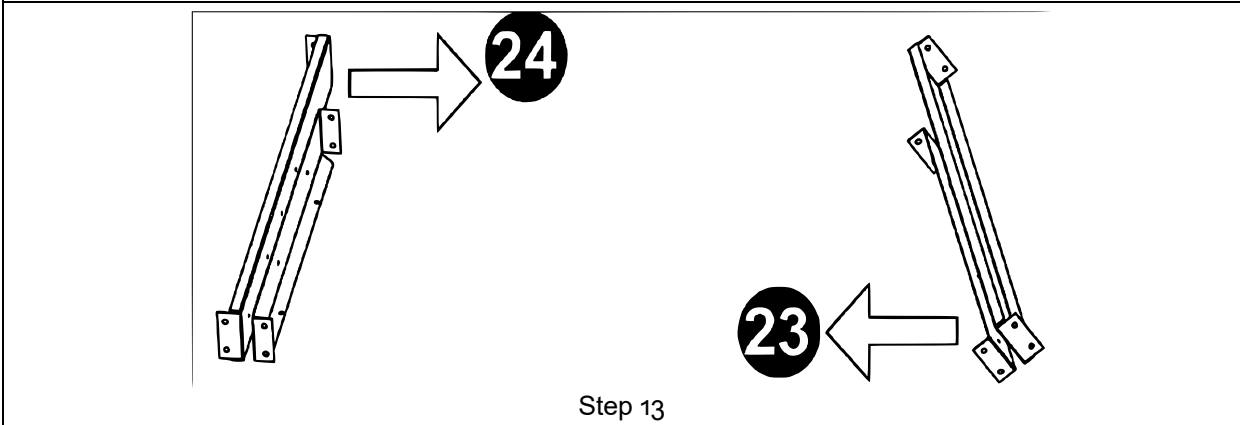
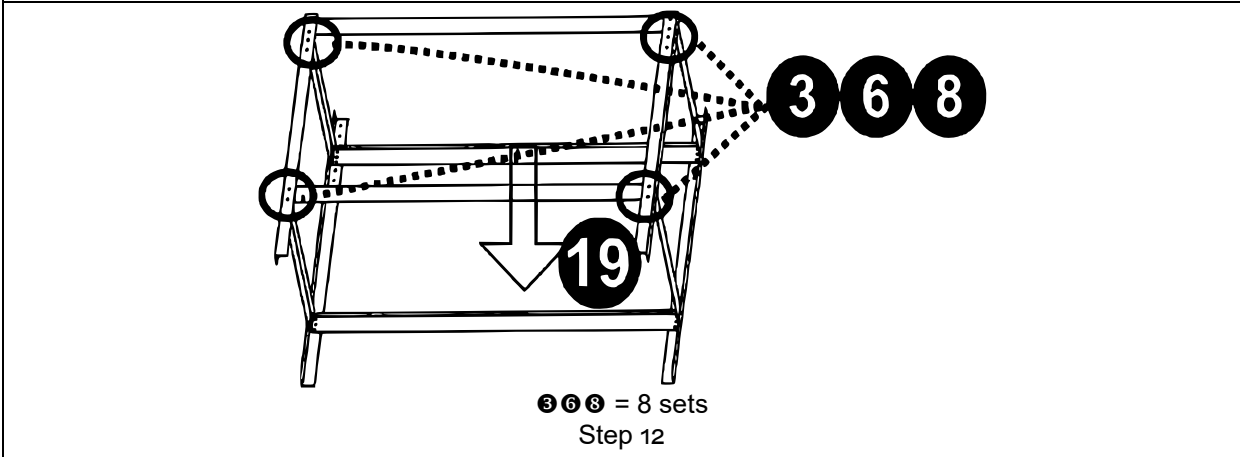
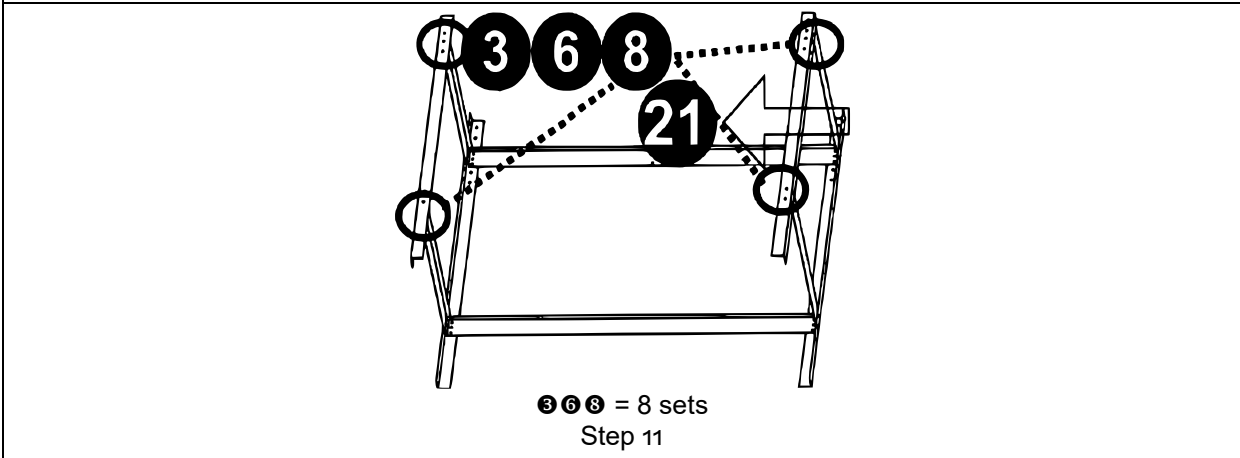
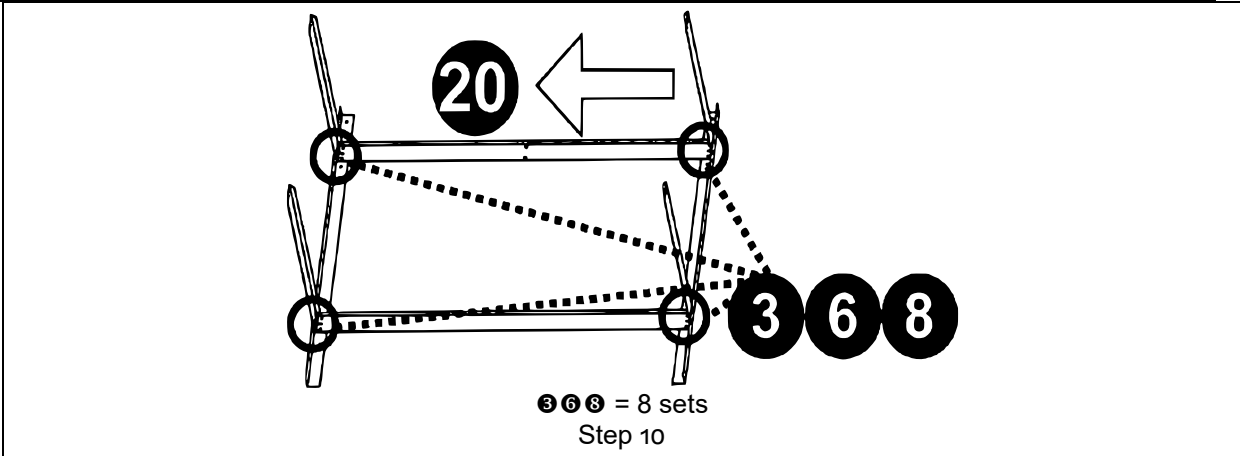
Step 7

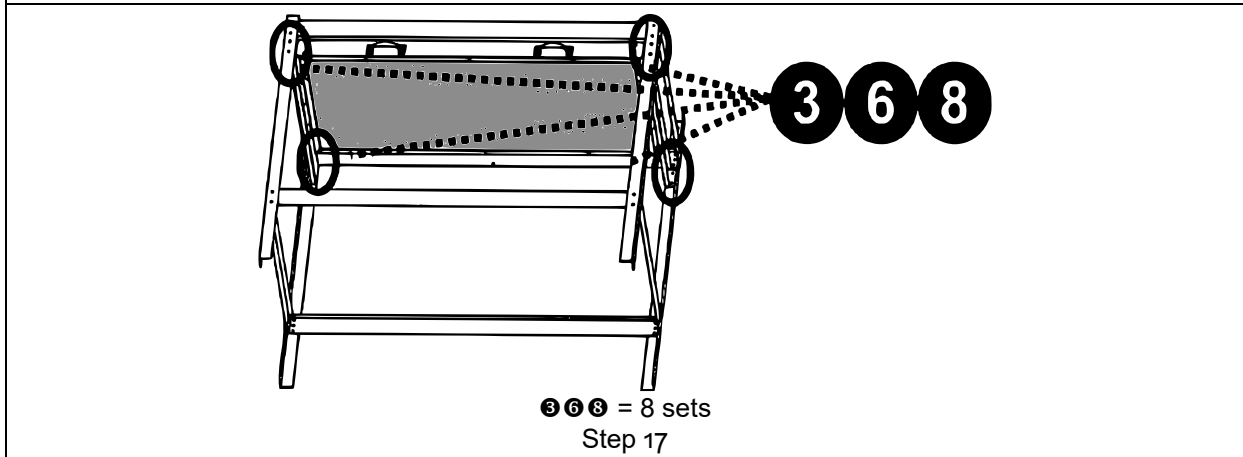
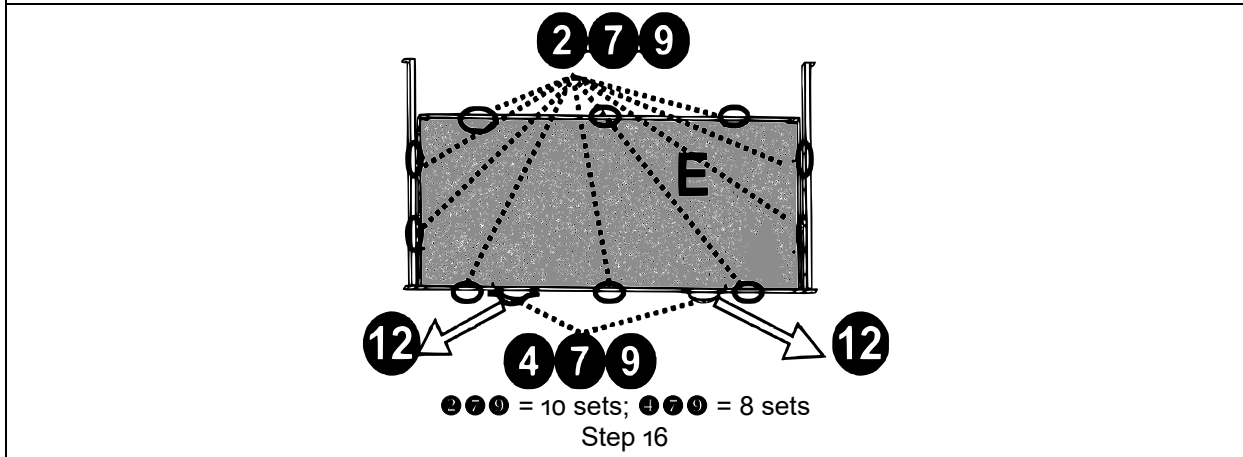
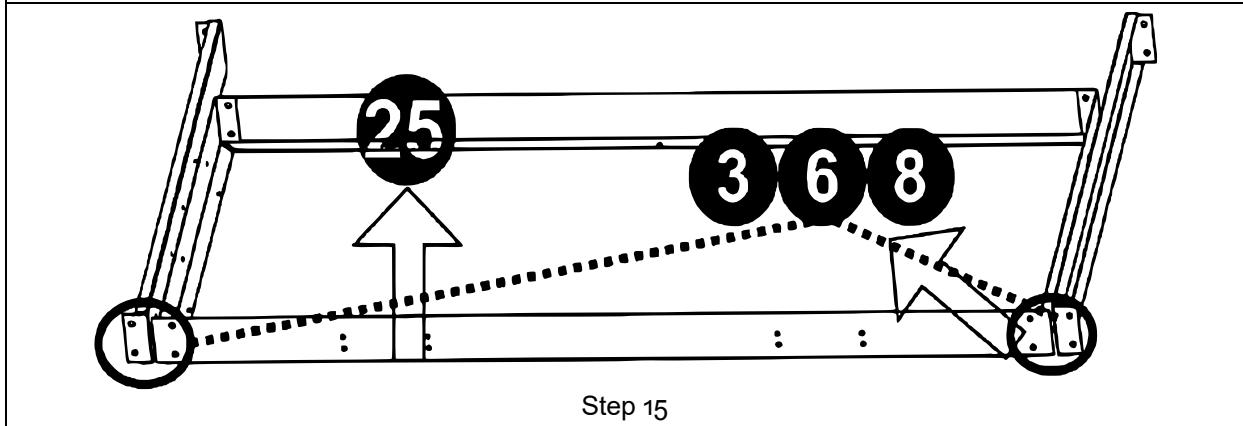
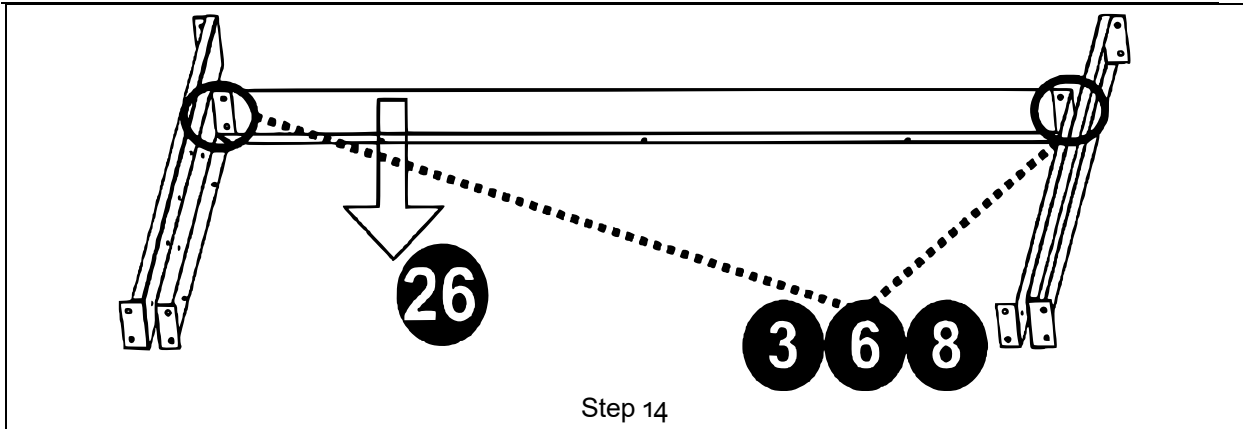


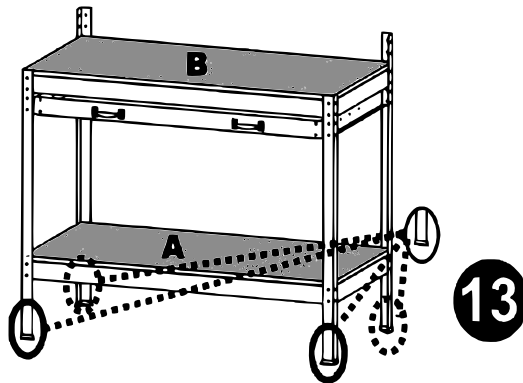
③ ⑥ ⑧ = 4 sets
Step 8



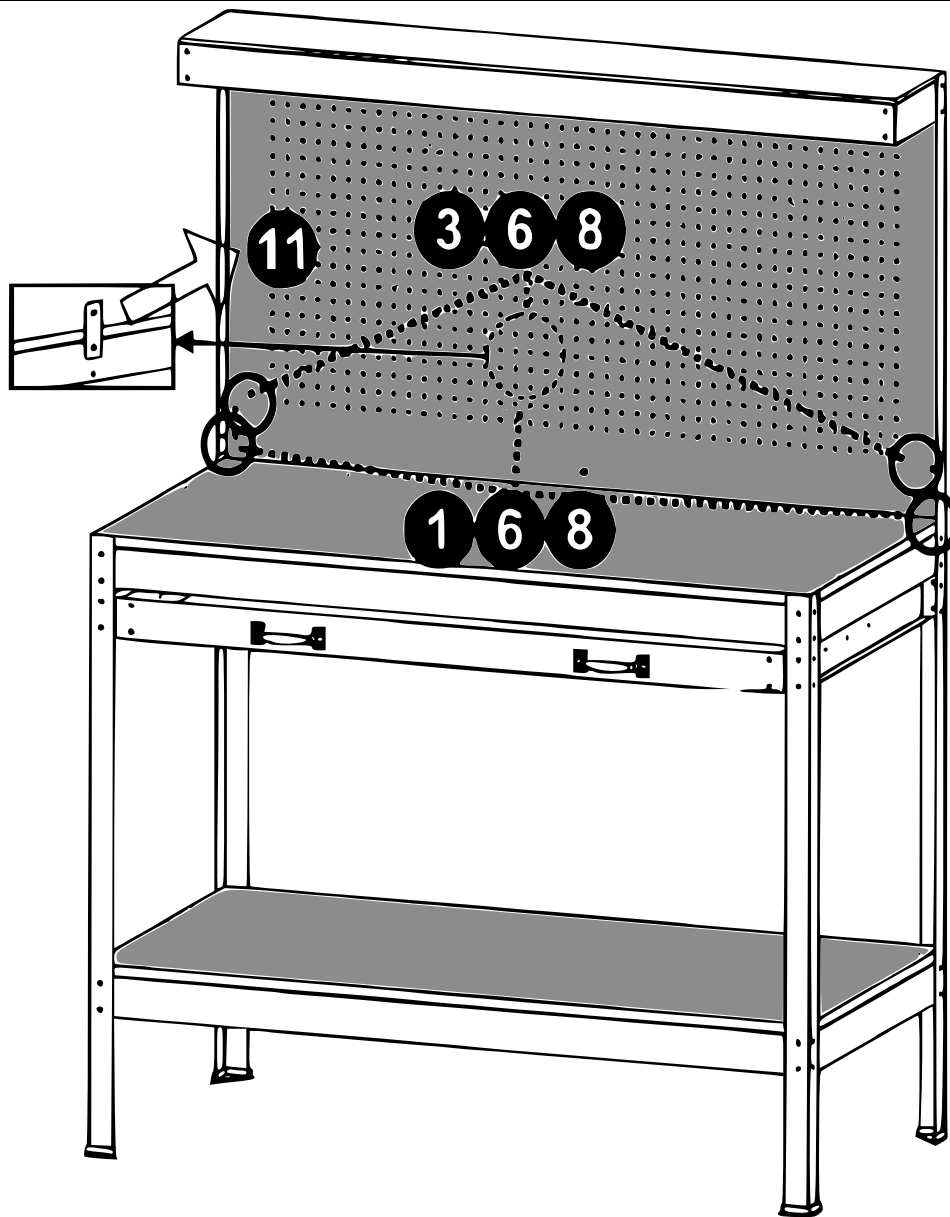
③ ⑥ ⑧ = 4 sets
Step 9







4 sets
Step 18



Step 19

Important Note: Reproduction and any commercial use (of parts) of this operating manual, requires a written permission of WilTec Wildanger Technik GmbH.