

Instruction manual

2-in-1 Mechanic Creeper and Workshop Seat

61191, 61192



Illustration similar, may vary depending on model

Please read and follow the operating instructions and safety information prior to initial operation.

Technical changes reserved!

Illustrations, functional steps, and technical data may deviate insignificantly due to continuous further developments.



The information contained in this document may alter at any time without prior notice. No part of this document may be copied or otherwise duplicated without prior written consent. All rights reserved. WilTec Wildanger Technik GmbH cannot be held liable for any possible mistakes in this operating manual, nor in the diagrams and illustrations shown.

Although WilTec Wildanger Technik GmbH has made every possible effort to ensure that this operating manual is complete, accurate, and up-to-date, errors cannot be ruled out entirely.

If you have found an error or wish to suggest an improvement, we look forward to hearing from you. Send us an e-mail to:

service@wiltec.info

or use our contact form:

<https://www.wiltec.de/contacts/>

The most recent version of this manual in several languages can be found in our online shop:

<https://www.wiltec.de/docsearch>

Our postal address is:

WilTec Wildanger Technik GmbH
Königsbenden 12
52249 Eschweiler Germany

To return your goods for exchange, repair, or other purposes, please use the following address. Attention! To allow for a trouble-free complaint or return, it is important to contact our customer service team before returning your goods.

Retourenabteilung
WilTec Wildanger Technik GmbH
Königsbenden 28
52249 Eschweiler Germany

E-mail: **service@wiltec.info**
Phone: +49 2403 55592-0
Fax: (+49 2403 55592-15)

Introduction

Thank you for choosing to purchase this quality product. To minimise the risk of injury, we ask you to always take some basic safety precautions when using this product. Please read this operating manual carefully and make sure that you understand it. Keep these operation instructions in a safe place.

Safety instructions

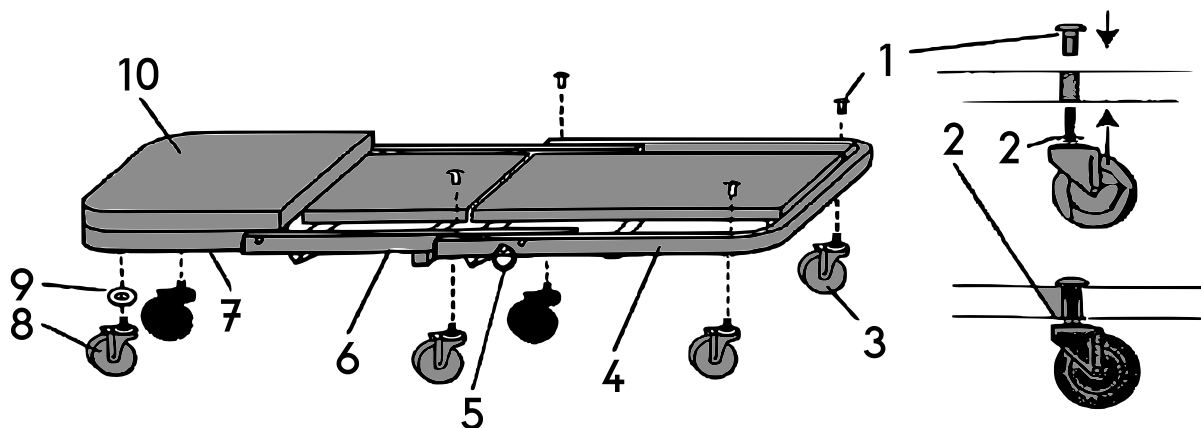
Warning!

Before assembling and commissioning, carefully read the instructions. Disobeying the safety instructions and assembly instructions can cause material damages and/or personal injuries.

- The maximum capacity of 150 kg must not be exceeded.
- Do not stand on the mechanic creeper.
- The mechanic creeper is designed for use on solid and flat surfaces that are able to bear the load. Using the product on a surface other than a solid and flat one can cause load instability and a loss of bearing capacity. This might lead to material damages or personal injuries.
- Do not modify the product in any way.
- If the mechanic creeper does not work properly, if parts are loose, damaged, or missing, it must not be used any further.
- The fabric cover of the mechanic creeper is flammable. Be extremely careful with cigarettes lit or open flames being in the vicinity of the creeper.

Assembly instructions

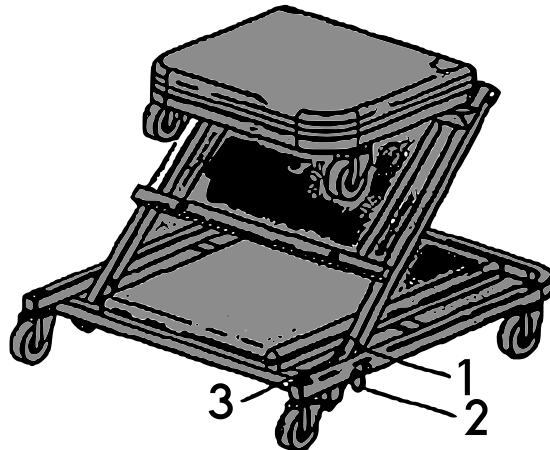
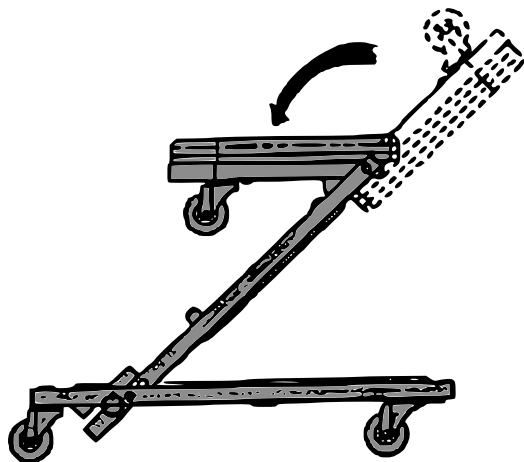
Connect the three parts of the foam-cushioned mechanic creeper with the four M8×55 hexagon screws and M8 lock nuts. Tighten the M8 hexagon screws and nuts. Fix the six guide rolls to the frame of the mechanic creeper assembled.



Nº	Name	Nº	Name
1	Nuts (4)	6	Middle frame
2	Washers (4)	7	Headrest frame
3	Rolls (4)	8	Rolls (2)
4	Rear frame	9	Washers (2)
5	Lock pin	10	Cushioned headrest

Converting the mechanic creeper to a workshop seat

- Pull out the lock pin (5) until unlocking the lock mechanism (lock hole).
- Tilt the middle part of the mechanic creeper towards the end until the lock pin can snap into the locking bar of the workshop seat.
- Fold the front part of the mechanic creeper, the headrest frame (7), to the opposite until it is horizontal.
- Invert the above steps to convert the workshop seat to a mechanic creeper.



No	Name	No	Name
1	Lock hole	3	Lock
2	Lock pin		

Important Note:

Reproduction and any commercial use (of parts) of this operating manual, requires a written permission of WilTec Wildanger Technik GmbH.