

# User's manual

## Air Sand Blaster

61303



Illustration similar, may vary depending on model

Please read and follow the operating instructions and safety information prior to initial operation.

Technical changes reserved!

Illustrations, functional steps, and technical data may deviate insignificantly due to continuous further developments.



The information contained in this document may alter at any time without prior notice. No part of this document may be copied or otherwise duplicated without prior written consent. All rights reserved. WilTec Wildanger Technik GmbH cannot be held liable for any possible mistakes in this operating manual, nor in the diagrams and illustrations shown.

Although WilTec Wildanger Technik GmbH has made every possible effort to ensure that this operating manual is complete, accurate, and up-to-date, errors cannot be ruled out entirely.

If you have found an error or wish to suggest an improvement, we look forward to hearing from you.

Send us an e-mail to:

[service@wiltec.info](mailto:service@wiltec.info)

or use our contact form:

<https://www.wiltec.de/contacts/>

The most recent version of this manual in several languages can be found in our online shop:

<https://www.wiltec.de/docsearch>

Our postal address is:

WilTec Wildanger Technik GmbH  
Königsbenden 12  
52249 Eschweiler – Germany

To return your goods for exchange, repair, or other purposes, please use the following address. Attention! To allow for a trouble-free complaint or return, it is important to contact our customer service team before returning your goods.

Retourenabteilung  
WilTec Wildanger Technik GmbH  
Königsbenden 28  
52249 Eschweiler – Germany

E-mail: **service@wiltec.info**

Tel: +49 2403 55592-0

Fax: +49 2403 55592-15



## Introduction

Thank you for choosing to purchase this quality product. To minimise the risk of injury, we ask you to always take some basic safety precautions when using this product. Please read this operating manual carefully and make sure that you understand it.

Keep these operation instructions in a safe place.

## Safety instructions

Protect yourself and others from dangers by taking appropriate precautionary measures and respect the following notes and instructions:

- Ensure a correct operation.
- Respect and obey the general precautionary measures and licensing requirements.
- Only work in well-ventilated rooms.
- During operation, always wear appropriate safety equipment (protective glasses, hearing and respiratory protection, gloves, etc.).
- Do not operate this gun in areas exposed to explosion hazards.
- Keep children and domestic animals away from your working area.
- Never point the sand jet at other people or animals.
- The sand blasting gun may only be used and maintained by trained persons.
- Only qualified persons should perform repair works.
- Do not modify the sand blasting gun in any way.
- Before performing any maintenance or repair job, do disconnect the sand blasting gun from the pneumatic source.
- Only use original spare parts.
- If there is a malfunction or if the device is leaking, do disconnect the device from the pneumatic source immediately.
- Never exceed the maximum operation pressure.
- Only use compressed air to operate the gun. Do not use any gases.
- The compressed air may only be connected via a quick coupling.
- Do not spray acidic or basic liquids.
- Do not use cleaning agents that might provoke an explosion, that can burn, or that are liquid. Only dry-clean the gun.
- Only use appropriate materials and respect the legal regulations.
- Do not use flammable materials.
- The blasting agent must be collected. Dispose of the remaining material in an environmentally sound way.

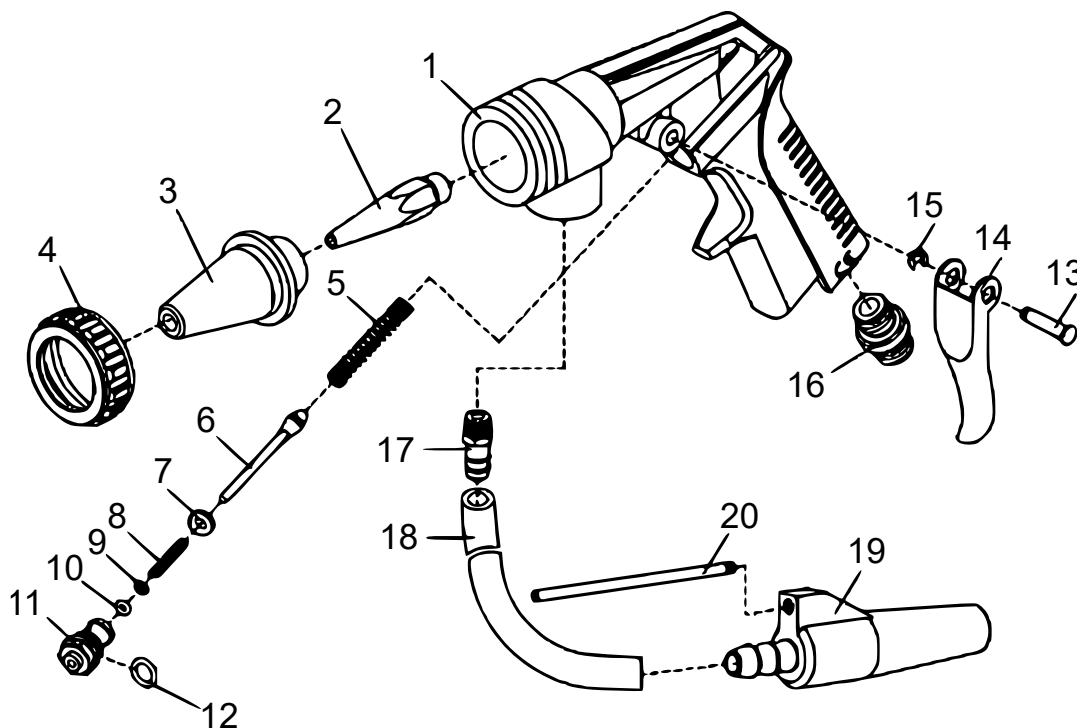
## Maintenance and care

- Always disconnect the device from its pneumatic source before performing any care or maintenance job.
- Thoroughly clean the sand blasting gun after use.
- Store the sand blasting gun in a dry room where the temperature cannot fall below 10 °C.
- Replace the nozzle as soon as it begins to wear out.

## Troubleshooting

Problem	Possible cause	Proposed solution
No material/insufficient material is sprayed	Nozzle obstructed	<ul style="list-style-type: none"> <li>Compressed air too moist</li> <li>Blasting agent exceeding maximum grit</li> <li>Clean or replace nozzle.</li> </ul>
	Nozzle worn out	<ul style="list-style-type: none"> <li>Replace nozzle.</li> </ul>
	Insufficient compressor performance	<ul style="list-style-type: none"> <li>Use stronger compressor.</li> </ul>

## Exploded view and parts list



Nº	Name	Qty.	Nº	Name	Qty.
1	Gun body	1	11	Air valve body	1
2	Air nozzle	1	12	O-ring 8×1.8 mm	1
3	Material nozzle	1	13	Trigger pen	1
4	Lock button	1	14	Trigger	1
5	Air valve spring	1	15	Opening plug 4	1
6	Air valve shaft	1	16	Air connection point	1
7	Air valve gasket	1	17	Material pass connector	1
8	Air valve spring	1	18	Rubber hose	1
9	Gasket 3	1	19	Material nozzle	1
10	O-ring 2×2	1	20	Material hose	1

**Important Note:** Reproduction and any commercial use (of parts) of this operating manual, requires a written permission of WilTec Wildanger Technik GmbH.