

Operation Manual

Electric Concrete Vibrator

61327, 61562, 61563, 61564, 61565, 61566, 61567, 61568, 61569



Illustration similar, may vary depending on model

Read and follow the operating instructions and safety information before using for the first time.

Technical changes reserved!

Due to further developments, illustrations, functioning steps, and technical data can differ insignificantly.

Updating the documentation

If you have suggestions for improvement or have found any irregularities, please contact us.



The information contained in this document may alter at any time without previous notice. It is prohibited to copy or spread any parts of this document in any way without prior written allowance. All rights reserved.

The WilTec Wildanger Technik GmbH cannot be held accountable for any possible mistakes in this operating manual, nor in the diagrams and figures shown.

Even though, the WilTec Wildanger Technik GmbH has undergone biggest possible efforts to ensure that the operating manual is complete, faultless, and up to date, mistakes cannot be entirely avoided.

If you should find a mistake or wish to make a suggestion for improvement, we look forward to hearing from you.

Send an e-mail to:

service@wiltec.info

or use our contact form:

<https://www.wiltec.de/contacts/>

The most recent version of this manual in various languages can be found in our online shop via:

<https://www.wiltec.de/docsearch>

Our postal address is:

WilTec Wildanger Technik GmbH
Königsbenden 12
52249 Eschweiler
Germany

To return orders for exchange, repair, or other purposes, please use the following address. Attention! To allow for a smooth execution of your complaint or return, it is important to contact our customer service team before returning the goods.

Returns Department
WilTec Wildanger Technik GmbH
Königsbenden 28
52249 Eschweiler

E-mail: **service@wiltec.info**

Tel: +49 2403 55592-0

Fax: +49 2403 55592-15



Introduction

Thank you for purchasing this quality product. **To minimise the risk of injury we urge that our clients take some basic safety precautions when using this device. Please read the operation instructions carefully and make sure you have understood its content. Keep these operation instructions safe.**

General safety instructions

- Perform a visual inspection of the device before each use. Do not use the device if parts are damaged or worn. Never override safety mechanisms.
- Consider the workspace environment. Protect the device from direct exposure to water.
- Do not use power tools in moist or wet locations. Keep the working area well lit.
- Do not use the tool with flammable liquids or gases.
- Never use power tools in hazardous locations with paint, varnish, benzene, thinner, gas pipes, gases, adhesives, and other materials that are flammable or explosive. Power tools might produce sparks during operation.
- Protection against electric shock. Avoid physical contact with earthed surfaces. For example: pipes, radiators, stoves, refrigerators.
- Keep children and visitors away from the work area.
- Keep unused tools safe when not in use. Tools should be stored in dry, tall, or locked places out of reach from children.
- Make sure that the electrical connections and tool is protected from moisture and flooding.
- Wear hearing protection and safety glasses to protect yourself at work. If you carry out dusty work, wear a dust mask.
- Before carrying out any work or maintenance on the device or changing equipment, switch the device off and unplug it.
- Never operate the unit if the power cable is damaged. Check it each time before use. If necessary, contact the manufacturer or a qualified technician.
- Only use the device for its intended purpose.
- Do not use the device if it does not work correctly or has been damaged by a fall. Do not disassemble the device yourself but contact a qualified technician.

Application

The concrete vibrator is one of the most important machines in your current concrete project. All parts that are used to make concrete can be used together with the vibrator. You can use it to produce concrete columns, walls, main and secondary booms, and prefabricated components. In particular, it is used in the construction of small parts, thin-walled structures, in the processing of plastic granulate, in semi-dry and dry processes. So, it is a concrete vibrator that can be used in many ways.

Precautions for installation and operation

- Please check the electrical phase connection before using the device. You can start working when the vibrator produces a steady sound.
- The pipe should be inserted vertically or at an angle into the concrete and moved vertically up and down for a while.
- You should take a break after working with the vibrator for half an hour to avoid overheating.



Technical specifications

		61327	61562	61565	61563	61567
Intake voltage (V)		230				
Frequency (Hz)		50				
Speed (1/min)		2840	5600			
Vibrating poker	with/without	with	without		only	
	Diameter (mm)	45			35	
	Length (mm)	6 m (hose/poker)			400	
Hose length (m)				1.5		
Gear: engine/hand-held		Engine	Hand-held		Without	
Power (W)		1500	580	800		
Weight (kg)		13.5	2.5	2.3	4.4	

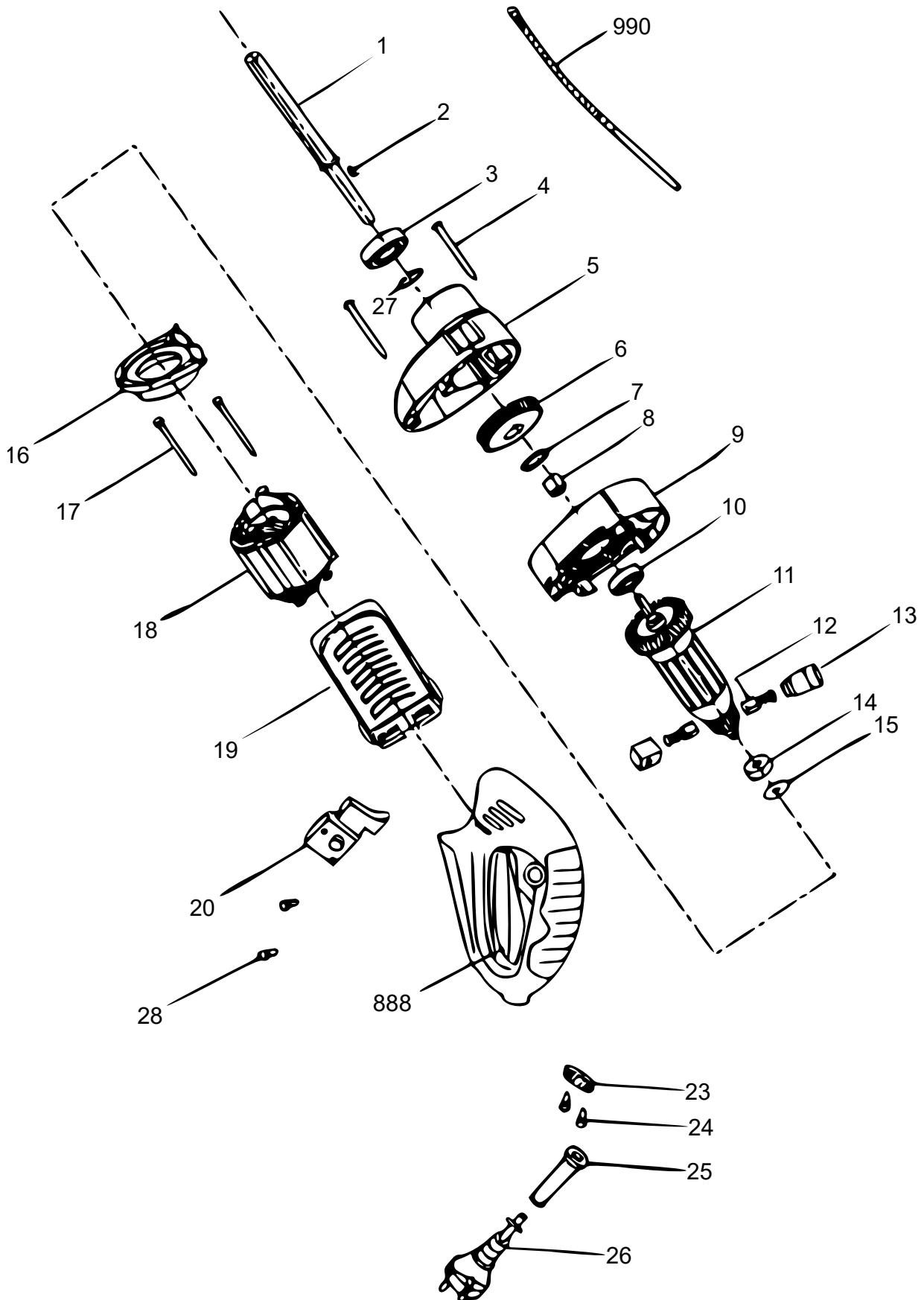
Maintenance and repair

- After using the tool, it is highly recommended that the motor housing be cleaned to ensure that heat dissipation works well during operation.
- You should check the seals and insulation of the motor regularly. The engine must be prevented from getting wet. If it has accidentally come into contact with water, allow it to dry completely before using the device again.
- The power cord of the tool must be checked regularly. If the cable is damaged, the device must not be operated. The cable must be repaired before the tool can be used again; contact a specialist for this.
- Check the device and its spare parts before putting it into operation. Do not use damaged tools. Have it repaired before you use it again.
- Before doing any work (repairs or maintenance) on the machine itself, you must always pull the power plug. The brushes should be checked regularly, and worn brushes should be replaced in good time. After replacing, check whether the new brushes can move freely in the brush holder. Let the motor run for at least 15 min to establish contact between the brushes and the commutator.
- Always keep the ventilation slot free from dirt. Also, periodically remove the accumulated dust and oil debris from the machine.
- During normal operation, if anything happens, power should be immediately disconnected so the tool can be checked and repaired.
- Regularly check all mounting screws and make sure they are properly tightened. If any of the screws come loose, tighten them immediately. Failure to do so can result in injury.
- Do not expose the device to rain or water. Do not use power tools in damp or wet rooms. Always keep the work area well lit. Do not use power tools in areas where there is a risk of fire or explosion.

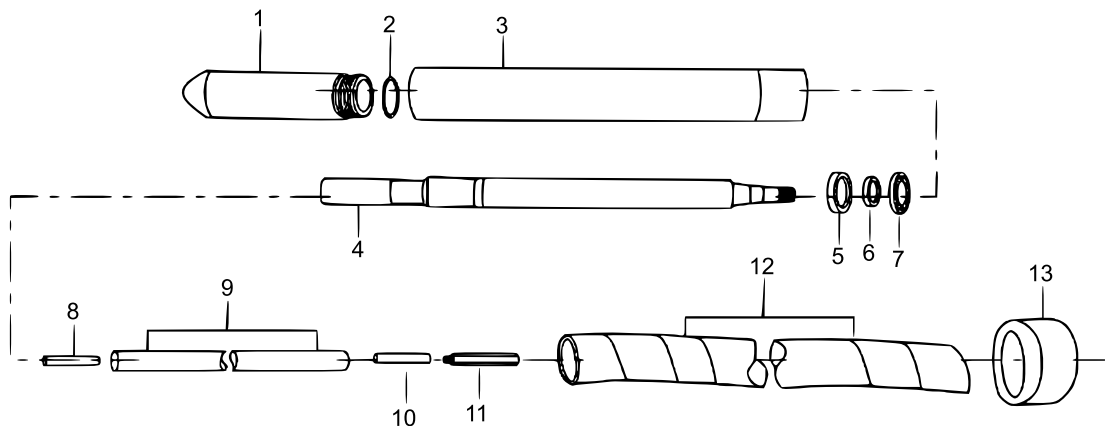
Security advice

- The cable must not be loose. This must be checked regularly before the tool is started up. Never operate the device with a damaged cable.
- During commissioning, the vibrator must match the local FI circuit breaker. The functionality of the residual current circuit breaker must be checked regularly.
- The operator should wear rubber shoes while working with the tool.
- If the motor or the tool has problems, please contact the manufacturer or a qualified specialist.

Explosion views and parts lists



No	Name	No	Name
1	Shaft	15	Washer
2	Key	16	Wind shield
3	Bearing 6200RS	17	Screw
4	Screw	18	Stator
5	Gear	19	Housing
6	Gear wheel	20	Switch
7	Retaining ring	23	Cable clip
8	Steel brush	24	Screw
9	Central cover	25	Cable collar
10	Bearing 6200RS	26	Cable
11	Rotor	27	Circlip
12	Carbon brush	28	Screw
13	Carbon brush holder	990	Vibration shaft
14	Bearing 608Z	888	Grip mounting



No	Name	No	Name
1	Closing cap	8	Spindle connection
2	O-ring	9	Flexible spindle
3	Housing	10	Spindle connection
4	Rotating spindle	11	Hexagonal spindle connection
5	Counter-spindle sealing ring	12	Flexible hose
6	Oil sealing	13	Lock-nut
7	Bearing		

Disposal regulations

EU guidelines regarding the disposal of scrap electric appliances (WEEE, 2012/19/EU) were implemented in the law related to electrical and electronic equipment and appliances.

All WiTec electric devices that fall under the WEEE regulations are labelled with the crossed-out wheeled waste bin logo. This logo indicates that this electric equipment must not be disposed with the domestic waste.

The company WiTec Technik GmbH has been registered in the German registry EAR under the WEEE-registration number DE45283704.

Disposal of used electrical and electronic appliances (intended for use in the countries of the European Union and other European countries with a separate collection system for these appliances).

The logo on the article or on its packaging points out that this article must not be treated as normal household waste but must be disposed to a recycling collection point for electronic and electrical waste equipment. By contributing to the correct disposal of this article you protect the environment and the health of your fellow men. Environment and health are threatened by inappropriate disposal.



Material recycling helps reduce the consumption of raw materials.

Additional information on recycling this article can be provided by your local community, municipal waste disposal facilities, or the store where you purchased the article.

Address:
WiTec Wildanger Technik GmbH
Königsbenden 12 / 28
D-52249 Eschweiler

Important notice:

The reprint or reproduction, even of excerpts, and any commercial use, even in part, of this instruction manual require the written permission of WiTec Wildanger Technik GmbH.