

Operation Manual

Sandblasting machine

61343



Illustration similar, may vary depending on model

Read and follow the operating instructions and safety information before using for the first time.

Technical changes reserved!

Due to further developments, illustrations, functioning steps and technical data can differ insignificantly.

Updating the documentation

If you have suggestions for improvement or have found any irregularities, please contact us.

The information contained in this document may alter at any time without previous notice. It is prohibited to copy or spread any parts of this document in any way without prior written allowance. All rights reserved.

The WilTec Wildanger Technik GmbH cannot be held accountable for any possible mistakes in this operating manual, nor in the diagrams and figures shown.

Even though, the WilTec Wildanger Technik GmbH has undergone biggest possible efforts to ensure that the operating manual is complete, faultless and up to date, mistakes cannot be entirely avoided.

If you should find a mistake or wish to make a suggestion for improvement, we look forward to hearing from you.

Send an e-mail to:

service@wiltec.info

or use our contact form:

<https://www.wiltec.de/contacts/>

The most recent version of this manual in various languages can be found in our online shop via:

<https://www.wiltec.de/docsearch>

Our postal address is:

WilTec Wildanger Technik GmbH
Königsbenden 12
52249 Eschweiler
Germany

Do you wish to pick goods up? Our pick-up address is:

WilTec Wildanger Technik GmbH
Königsbenden 28
52249 Eschweiler
Germany

To shorten the waiting time and allow for a rapid on-site transaction, we ask you to call us previously or placing your order via the webshop.

E-mail: service@wiltec.info
Tel: +49 2403 55592-0
Fax: +49 2403 55592-15

To return orders for exchange, repair or for other purposes, please use the following address. Attention! To allow for a smooth execution of your complaint or return, it is important to contact our customer service team before returning the goods.

Returns Department
WilTec Wildanger Technik GmbH
Königsbenden 28
52249 Eschweiler

E-mail: service@wiltec.info
Tel: +49 2403 55592-0
Fax: +49 2403 55592-15

Introduction

Thank you for purchasing this quality product. **To minimize the risk of injury we urge that our clients take some basic safety precautions when using this device. Please read the operation instructions carefully and make sure you have understood its content.**

Keep these operation instructions safe.

Safety Instructions

Warnings!

- **Switch off or disconnect the unit from the air supply before carrying out maintenance or repair work or when the unit is not in use.**
- **This blasting machine produces granular dust which can damage the surface finish and damage moving parts. It is recommended that sandblasting be carried out in a special room free from materials that can be damaged or soiled. If this is not possible, make sure that the exposed surfaces and moving parts are adequately covered.**
- Make sure that your work area is tidy and that there is adequate lighting. Obstructed or poorly lit work areas increase the risk of injury.
- Wear approved protective equipment (protective gloves, ear protection, safety goggles, and breathing protection) during work.
- Make sure to have a secure footing and keep your balance while working. Wear slip-resistant footwear.
- Keep the machine and all components clean and in good conditions to ensure a safe working environment with the best results.
- Immediately replace defective or worn parts. Only use original spare parts. Using unauthorised spare parts can be dangerous and may invalidate the warranty.
- Wear suitable workwear. Avoid loose clothing and jewellery. Securely tie long hair together.
- Always keep the blasting nozzle pointed at the workpiece.
- If a fault or malfunction occurs, immediately disconnect the unit from the air supply.
- Keep other people (including children) and animals away from your working area. Contact with a high-pressure jet or inhalation of the dust generated is dangerous. If other persons are required near the work area, they must wear protective equipment similar to that of the operator.
- Only use the blasting machine for its intended purpose. Improper use can lead to damages and injuries.
- Do not try to clean a clogged nozzle while the machine is under pressure.
- Do not allow untrained persons to operate the machine.
- Do not leave the running blasting machine unattended.
- Do not stand on the machine.
- Do not direct the air from the air hose at yourself, other people, or animals.
- The maximum working pressure as well as the maximum air supply of the device must not be exceeded.
- Do not use the machine if parts are missing or damaged. This may result in malfunction and/or injury.
- Keep the unit away from liquids, damp or wet environments, and places where there is condensation.
- Do not use the machine if you are tired or under the influence of alcohol, drugs, or medicine.

Technical specifications

Working pressure (bar)	3–4
Size of granulate tank (mℓ)	850
Air requirement (ℓ_{min})	56–113
Connection	Compressed air coupling plug nipple NW7.2
Blasting material	Suitable for normal corundum grain size 46-100
Weight (kg)	3.5
Accessories	1 × sandblasting gun with suction hopper (bottom feed) 1 × bag to collect granulate 4 × mouthpieces (in different designs) 1 × 800 g blasting material in a practical container

Air supply

⚠ Attention! Make sure that the air supply does not exceed 3.44 bar (50 psi) while you are using the device. Excessive air pressure will shorten the life of the device due to excessive wear and tear and may cause damages and/or injuries.

- Make sure that the pistol trigger is in the “off” position before connecting it to the air supply.
- If possible, the compressor should be placed in a separate room, and the connecting line be kept as short as possible. The compressor should have an air filter and a water separator (see Fig. 1).
- Empty the air reservoir of the compressor daily. Water in the air hose will damage the device.
- The recommended connection procedure is shown in Fig. 1.

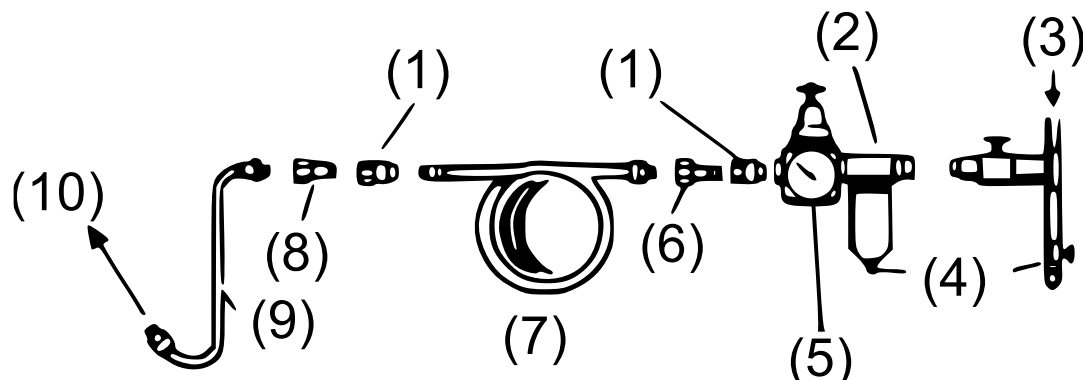


Figure 1

Nº	Name/explanation	Nº	Name
1	Quick coupling	6	Connection fitting
2	Water separator	7	Recoil hose
3	Air supply	8	Connection fitting
4	Drain daily!	9	Main hose
5	Regulator	10	Output to device

- The minimum hose diameter should be ¼". Fittings must have the same inner dimensions.



- Use correct hoses and connections. Do not use quick-change couplings, as these can increase weight and cause failures due to vibration. Add a supply hose and connect the coupling between it and the supply hose.
- Keep the hoses away from heat, oil, and sharp edges. Check the hoses and make sure they are not worn and that all connections are secure.

Operation



Warning! Make sure that you have read and understood all safety instructions and notes in this manual before use.

1. Wear appropriate protective equipment during work!
2. Attach the air supply to the ¼" connector on the gun. Remove the filling container from the gun by turning it clockwise as far as it will go and pull it off. Fill the container with the granulate supplied. Align the three pins in the container neck with corresponding gaps in the head flange and push the container onto the head end. Turn the container clockwise to seal it at the head end.
3. Make sure that the collection bag is empty and the knurled screw is firmly tightened.
4. Fit the nozzle most suitable for the work to be carried out and push it fully onto the muzzle of the gun.
5. We recommend testing on scrap material before you start the actual work.
6. Place the nozzle over the damaged area and apply medium pressure to seal the nozzle against the workpiece. (Recirculation will not work efficiently if the nozzle is not sealed.) Do not apply excessive pressure, as this may cause deformation on the rubber nozzle.
7. Press the shutter-release button partially to produce a slight spring motion. Remove the nozzle and inspect the area. Continue as necessary. Press the trigger fully to achieve the strongest blasting effect.
8. After completion of the work, disconnect the gun from the air supply. Remove the collection bag and fill the unused granulate back into a suitable container. Loosen the knurled screw on the neck of the circulation bag and remove it. The used granulate should be finely sieved to remove dust before it is returned to a granulate container.

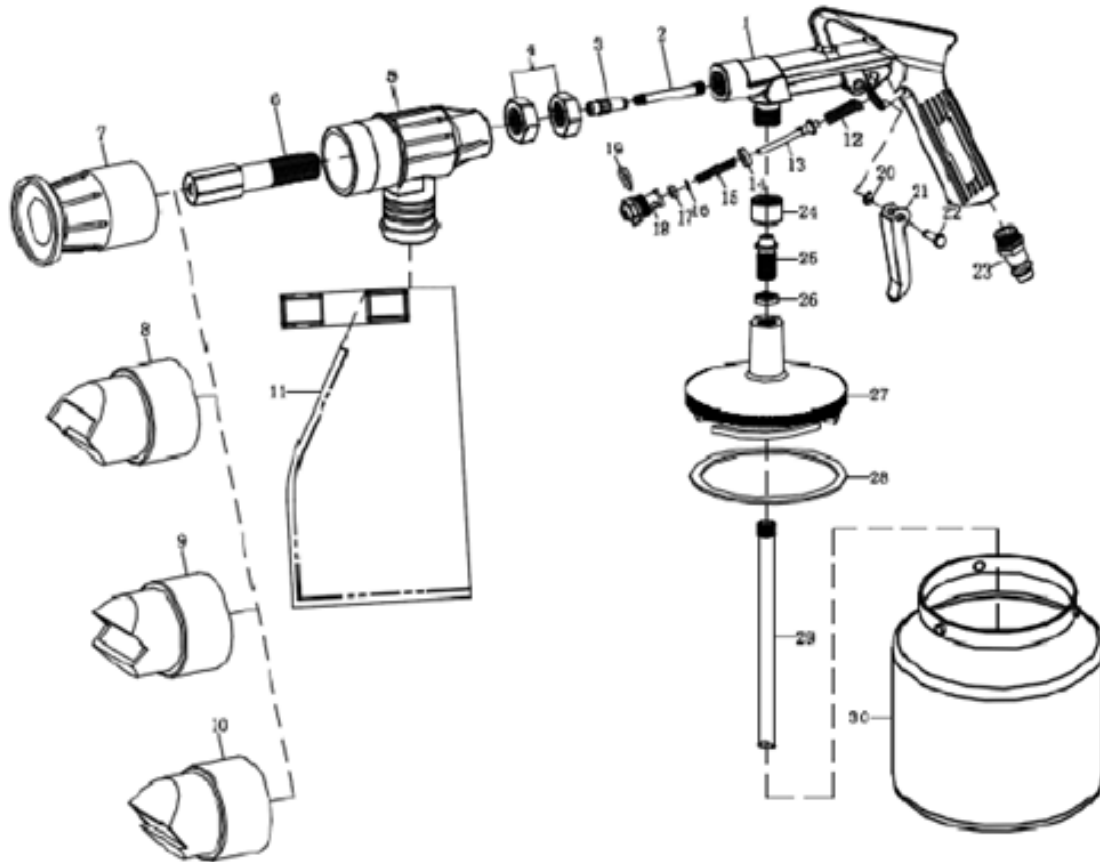
Maintenance



Warning! Disconnect the air supply before carrying out maintenance work.

- Keep all parts of the gun clean for best performance.
- Do not leave any used granulate in the bag. Always empty the bag after each use.
- Lubricate the piston between the trigger and the pistol grip with a light grease.

Exploded view and parts list



No	Name	Qty.	No	Name	Qty.	No	Name	Qty.
1	Pistol body	1	11	Return bag	1	21	Trigger	1
2	Air hose	1	12	Air valve spring	1	22	Trigger pin	1
3	Inner nozzle	1	13	Air valve rod	1	23	Connection stop	1
4	Locknut	2	14	Seal washer	1	24	Plug nipples G $\frac{1}{4}$	1
5	Housing	1	15	Pressure spring	1	25	Swivel nut 1 G $\frac{1}{4}$	1
6	Outer nozzle	1	16	Washer	1	26	Connecting screw M9x1	1
7	Nozzle 1	1	17	Seal ring 2x2	1	27	Swivel nut 2	1
8	Nozzle 2	1	18	Air valve	1	28	Container lid	1
9	Nozzle 3	1	19	Seal ring 8x1.8	1	29	Seal	1
10	Nozzle 4	1	20	Split washer	1	30	Container	1

Important notice:

The reprint or reproduction, even of excerpts, and any commercial use, even in part, of this instruction manual require the written permission of WilTec Wildanger Technik GmbH.