

# User's manual

## Spray Gun with Tank

61344



Illustration similar, may vary depending on model

Read and follow the operating instructions and safety information before using for the first time.

Technical changes reserved!

Illustrations, functional steps, and technical data may deviate insignificantly due to continuous further developments.

Updating the documentation

If you have suggestions for improvement or have found any irregularities, please contact us.



The information contained in this document may alter at any time without prior notice. No part of this document may be copied or otherwise duplicated without prior written consent. All rights reserved. WilTec Wildanger Technik GmbH cannot be held liable for any possible mistakes in this operating manual, nor in the diagrams and illustrations shown.

Although WilTec Wildanger Technik GmbH has made every possible effort to ensure that this operating manual is complete, accurate, and up-to-date, errors cannot be ruled out entirely.

If you have found an error or wish to suggest an improvement, we look forward to hearing from you. Send us an e-mail to:

[service@wiltec.info](mailto:service@wiltec.info)

or use our contact form:

<https://www.wiltec.de/contacts/>

The most recent version of this manual in several languages can be found in our online shop:

<https://www.wiltec.de/docsearch>

Our postal address is:

WilTec Wildanger Technik GmbH  
Königsbenden 12  
52249 Eschweiler – Germany

To return your goods for exchange, repair, or other purposes, please use the following address. Attention! To allow for a trouble-free complaint or return, it is important to contact our customer service team before returning your goods.

Retourenabteilung  
WilTec Wildanger Technik GmbH  
Königsbenden 28  
52249 Eschweiler – Germany

E-mail: **service@wiltec.info**

Tel: +49 2403 55592-0

Fax: +49 2403 55592-15



## Introduction

Thank you for choosing to purchase this quality product. To minimise the risk of injury, we ask you to always take some basic safety precautions when using this product. Please read this operating manual carefully and make sure that you understand it.

Keep these operation instructions in a safe place.

## Safety instructions

- Modifications due to technical progress can be made by the manufacturer without advance notice and may not be considered yet in this user's manual.
- Before use, check the device for completeness, functionality, and tightness.
- Never use a damaged or dysfunctional device. Have the device checked by a qualified repairman.
- When performing any work with the device, wear protective equipment such as working gloves, sturdy shoes, respiratory protection, hearing protection, etc.
- Make sure that the work zone is always well illuminated and ventilated.
- Always make sure that parts of your body or clothes cannot get near dangerous zones while working.
- Never point the spray gun towards persons, animals, or sources of heat.
- Avoid any unintentional starting of the trigger when not using the device.
- Keep children and casual bystanders away from your work zone.
- Always work with care and the attention required.
- Never apply excessive force when using the device.
- Make sure to have a good and safe stand when using the device.
- Only use pressurised air as pressure source, never use gases such as oxygen as pressure source.
- Disconnect the pressurised-air supply when the device is not in use.
- Never carry the device on its pressurised-air hose.
- Do not perform work with this product when being tired or influenced by alcohol, drugs, or medicine.
- Only keep packing material (films, plastic bags, polystyrene, etc.) out of children's, in particular babies' reach. Packing material hold dangers that might not be visible. **Danger of suffocation!**

## Intended use

- The spray gun with tank is designed for the pulverisation of certain material.
- The spray gun with tank is **NOT** designed for the pulverisation of paint.

## Commissioning

- The device comes pre-assembled except its handle.
- Screw the side handle to the device.
- For commissioning the device, a pressurised-air compressor is required (not included in the scope of delivery).
- Make sure that the compressor is switched off.
- Fill the tank with spray material and screw the gun onto the tank. The gaskets must be tight.
- If required, connect the appropriate probe in front of the gun.
- Connect the pressurised-air hose of your compressor to the pressurised-air connector of the spray gun.
- Actuate the trigger to commission the gun.
- After work, the pressurised-air hose should be disconnected from the gun.



## Maintenance

- Before every use, make sure that there is no condensed water inside the pressurised-air hoses.
- Empty the tank completely after finishing work.
- For cleaning, never use aggressive detergents.
- Wipe the device clean with a dry, clean cloth.
- Store the device in a dry and clean spot, away from frost.

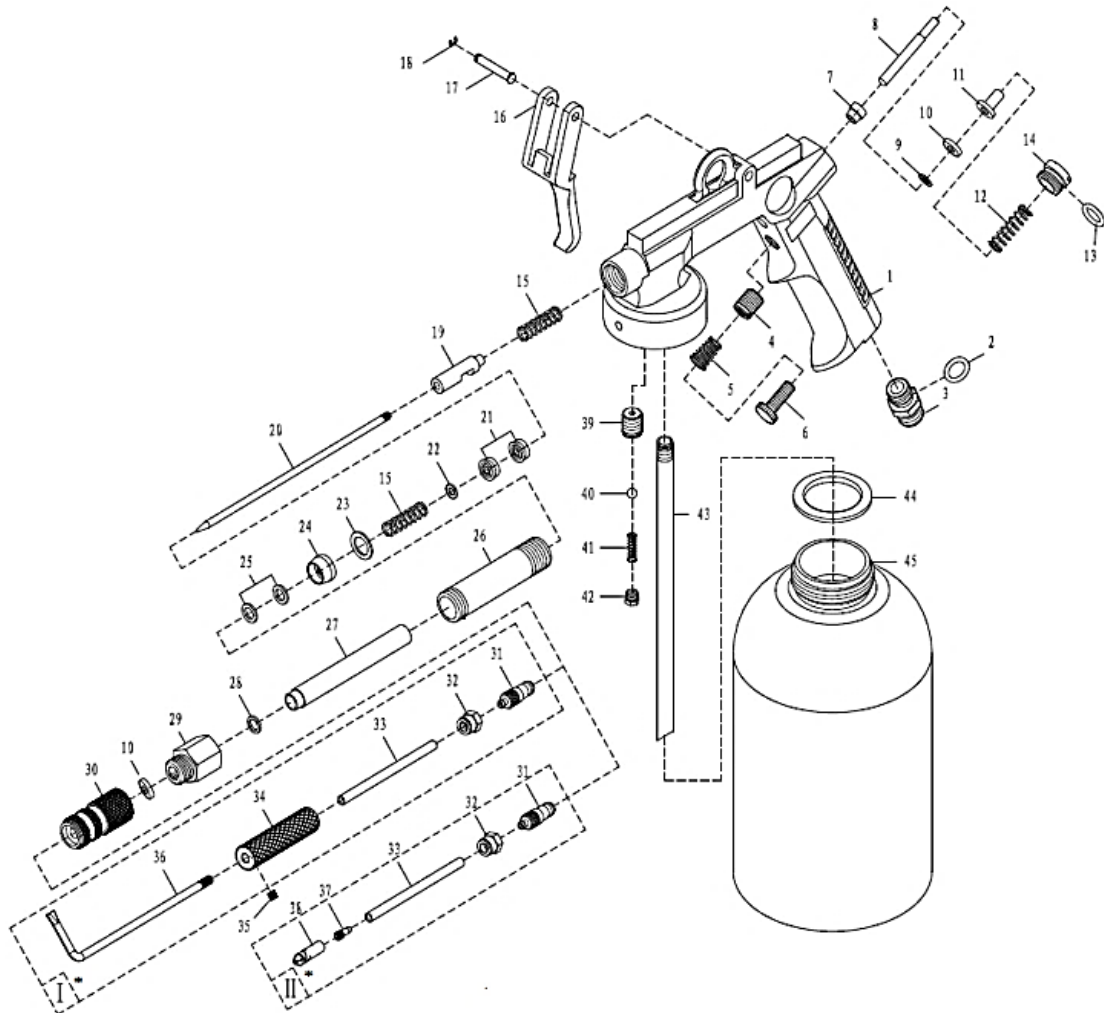
## Technical specifications

<b>Working pressure (bar)</b>	4–6
<b>Max. pressure (bar)</b>	7
<b>Volume of tank (ml)</b>	1100
<b>Length of hose, round nozzle (cm)</b>	105
<b>Length of hose, hooked nozzle (cm)</b>	115

## Parts list and exploded view

No	Name	Qty.	No	Name	Qty.
1	Gun housing	1	24	Rubber sleeve	1
2	O-ring (8×1.8)	11	25	Gasket (1)	2
3	Pressurised-air connection (¼")	1	26	Air tube	1
4	Trigger support	1	27	Material tube	1
5	Trigger spring	1	28	Gasket (2)	1
6	Trigger screw	1	29	Material nozzle	1
7	Sealing ring	1	30	Connecting piece	1
8	Air valve rod	1	31	Connecting piece	2
9	Flat gasket (4)	1	32	Lock nut	2
10	Air valve rod gasket	2	33	Material tube	2
11	Air valve rod support	1	34	Handle piece	1
12	Air valve spring	1	35	Screw M5×5	1
13	O-ring (10×1.8)	1	36	Nozzle	1
14	Gasket screw	1	37	Connection piece support	11
15	Needle spring	2	38	Nozzle	1
16	Trigger	1	39	Valve seat	1
17	Trigger bolt	1	40	Steel ball Sø4.2	1
18	Stopper	1	41	Valve spring	1
19	Needle seat	1	42	Valve screw	1
20	Needle	1	43	Material tube	1
21	Gasket	2	44	Gasket (sealing)	1

<b>22</b>	Gasket (sealing)	1	<b>45</b>	Cup	1
<b>23</b>	Gasket (4)	1			



Important note:

Reproduction and any commercial use (of parts) of this operating manual, requires a written permission of WilTec Wildanger Technik GmbH.