

# Operation Manual

## Stainless Steel Waterfall

61460–61473



Illustration similar, may vary depending on model

Read and follow the operating instructions and safety information before using for the first time.

Technical changes reserved!

Due to further developments, illustrations, functioning steps, and technical data can differ insignificantly.

Updating the documentation

If you have suggestions for improvement or have found any irregularities, please contact us.

The information contained in this document may alter at any time without previous notice. It is prohibited to copy or spread any parts of this document in any way without prior written allowance. All rights reserved.

The WilTec Wildanger Technik GmbH cannot be held accountable for any possible mistakes in this operating manual, nor in the diagrams and figures shown.

Even though, the WilTec Wildanger Technik GmbH has undergone biggest possible efforts to ensure that the operating manual is complete, faultless, and up to date, mistakes cannot be entirely avoided.

If you should find a mistake or wish to make a suggestion for improvement, we look forward to hearing from you.

Send an e-mail to:

[service@wiltec.info](mailto:service@wiltec.info)

or use our contact form:

<https://www.wiltec.de/contacts/>

The most recent version of this manual in various languages can be found in our online shop via:

<https://www.wiltec.de/docsearch>

Our postal address is:

WilTec Wildanger Technik GmbH  
Königsbenden 12  
52249 Eschweiler  
Germany

To return orders for exchange, repair, or other purposes, please use the following address. Attention! To allow for a smooth execution of your complaint or return, it is important to contact our customer service team before returning the goods.

Returns Department  
WilTec Wildanger Technik GmbH  
Königsbenden 28  
52249 Eschweiler

E-mail: **service@wiltec.info**

Tel: +49 2403 55592-0

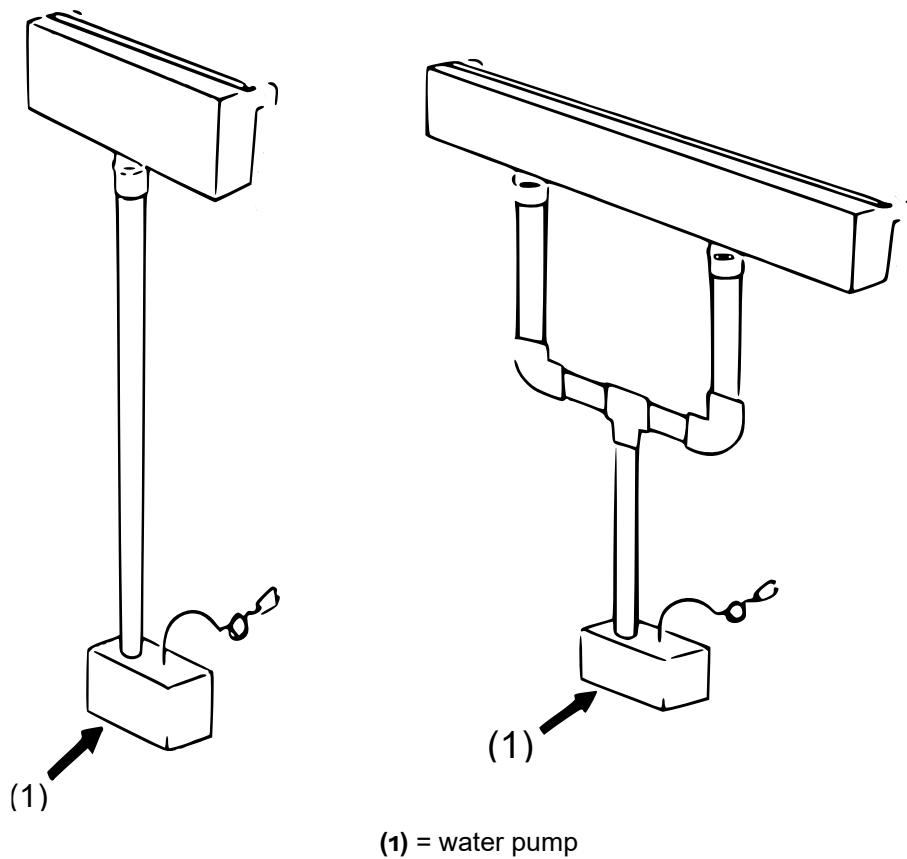
Fax: +49 2403 55592-15

## Introduction

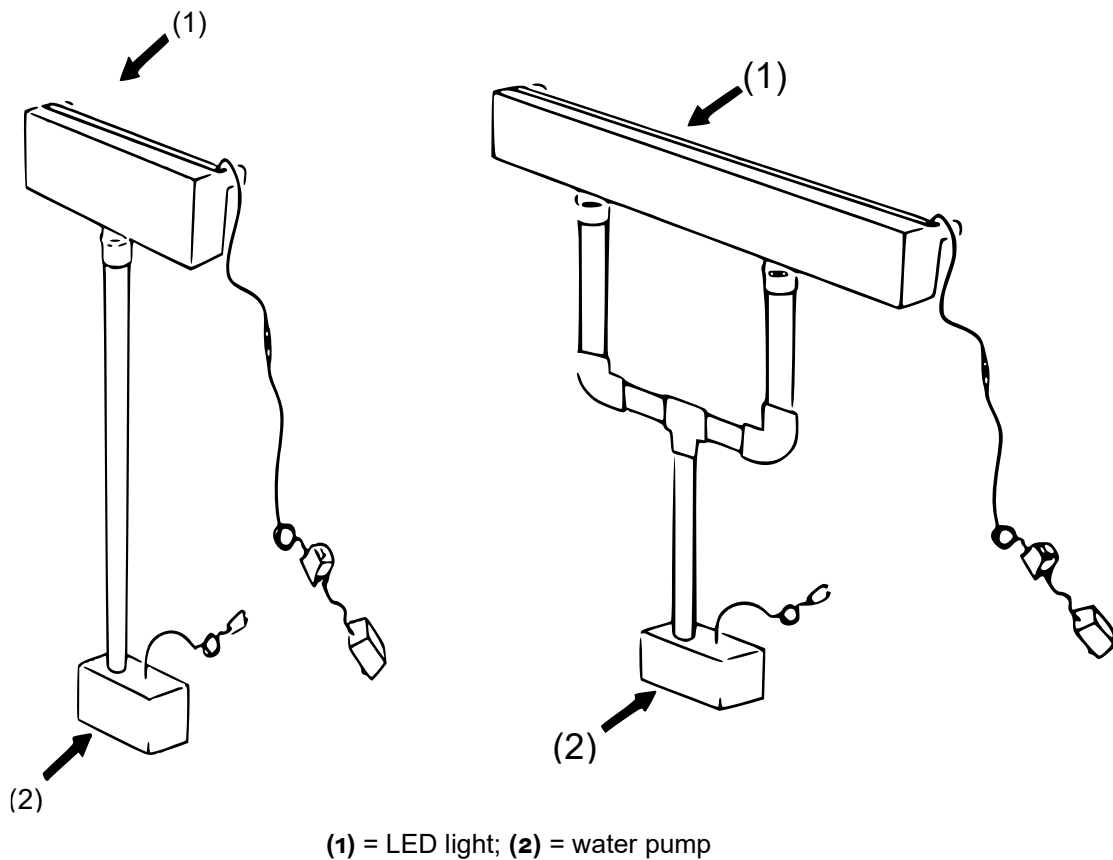
Thank you for purchasing this quality product. **To minimise the risk of injury we urge that our clients take some basic safety precautions when using this device. Please read the operation instructions carefully and make sure you have understood its content.** Keep these operation instructions safe.

## Structure

*Without LED*



With LED



**Caution!** This is only a brief description of how to set up the waterfall. Before installation, please ensure to have ready a suitable water pump, a water pipe, and other parts required for connecting. **For cleaning, we recommend a microfibre cloth to protect the stainless steel from being scratched.**

#### Assembly notes

- Place the waterfall on the spot that you have chosen.
- Make sure that the spot has a solid surface and enough space for the pump and hose connection.
- Connect the waterfall to the pump.
- If the waterfall has an LED light bar, this must be checked for its correct and firm seat. Install the power cable out of the water and connect it to the transformer.
- Align the waterfall as you wish it to be aligned, and fix it.
- Check the water circuit for leaks, that should be sealed with hose clamps and sealing tape.
- Switch on the pump (and, if present, the LED light) and put the waterfall into operation.

#### Special features of waterfalls equipped with LED light bar

- The LED light bar is safely and reliably supplied with a 12 V AC transformer.
- The LED light can be controlled with a remote control, that can switch to 17 different illumination patterns.
- The waterfall and LED light bar are not pre-assembled at reception; however, they can easily be connected to each other.

## Safety instructions

**Caution!** Disobeying the following safety instructions might result in serious injuries or damages.

- A correct and complete assembly and a correct use are of special importance for they minimise the risk of injuries.
- Note that two persons are required for a successful assembly.
- Contact the vendor or qualified personnel if there is any technical problem. Do not try to solve technical problems without having the necessary knowledge.
- For cleaning the product, only use soft, dry, and clean cloths. Do not use organic solvents, paints, or chemically impregnated textiles.
- Always switch off the waterfall before cleaning it or when it is not used.
- To prevent any spots and corrosion from forming on the stainless-steel surface, a regular cleaning and maintenance of the waterfall is required.
- Make sure that no deposits (such as salt, dirt, etc.) can accumulate on the waterfall and in interstices.
- It is recommended that the waterfall be checked and maintained once a year.
- Protect the waterfall, pump, and hose connection from frost. Remove all parts early enough and keep them in a frost-proof place
- **Warning!** When using the waterfall in a swimming pool or swimming pond, make sure that the power supply does not come into contact with the water. The pump must not be operated with people present in the water.

## Technical specifications

Item №	LED	Size (mm)	Number of in-takes	Intake thread size (mm)	Length of cables (cm)			
					Power supply-connector	Connector-controller	Controller-controller	Connector-LED
61460	without	300 × 115 × 80	1	33.25 (1")	—			
61461	with				750	20	17	27
61462	without	400 × 115 × 80			—			
61463	with				750	20	17	27
61464	without	450 × 115 × 80			—			
61465	with				750	20	17	27
61466	without	600 × 115 × 80	2		—			
61467	with				750	20	17	27
61468	without	900 × 115 × 80			—			
61469	with				750	20	17	27
61470	without	1200 × 115 × 80			—			
61471	with				750	20	17	27
61472	without	1500 × 115 × 80		—				
61473	with			750	20	17	27	

## Disposal regulations

EU guidelines regarding the disposal of scrap electric appliances (WEEE, 2012/19/EU) were implemented in the law related to electrical and electronic equipment and appliances.

All WiTec electric devices that fall under the WEEE regulations are labelled with the crossed-out wheeled waste bin logo. This logo indicates that this electric equipment must not be disposed with the domestic waste.

The company WiTec Technik GmbH has been registered in the German registry EAR under the WEEE-registration number DE45283704.

Disposal of used electrical and electronic appliances (intended for use in the countries of the European Union and other European countries with a separate collection system for these appliances).

The logo on the article or on its packaging points out that this article must not be treated as normal household waste but must be disposed to a recycling collection point for electronic and electrical waste equipment. By contributing to the correct disposal of this article you protect the environment and the health of your fellow men. Environment and health are threatened by inappropriate disposal.



Material recycling helps reduce the consumption of raw materials.

Additional information on recycling this article can be provided by your local community, municipal waste disposal facilities, or the store where you purchased the article.

Address:  
WiTec Wildanger Technik GmbH  
Königsbenden 12 / 28  
D-52249 Eschweiler

Important notice:

The reprint or reproduction, even of excerpts, and any commercial use, even in part, of this instruction manual require the written permission of WiTec Wildanger Technik GmbH.