

Operation Manual

Rolling Work Seat

61546



Illustration similar, may vary depending on model

Please read and follow the operating instructions and safety information prior to initial operation.

Technical changes reserved!

Illustrations, functional steps, and technical data may deviate insignificantly due to continuous further developments.



The information contained in this document may alter at any time without prior notice. No part of this document may be copied or otherwise duplicated without prior written consent. All rights reserved. WilTec Wildanger Technik GmbH cannot be held liable for any possible mistakes in this operating manual, nor in the diagrams and illustrations shown.

Although WilTec Wildanger Technik GmbH has made every possible effort to ensure that this operating manual is complete, accurate, and up-to-date, errors cannot be ruled out entirely.

If you have found an error or wish to suggest an improvement, we look forward to hearing from you. Send us an e-mail to:

service@wiltec.info

or use our contact form:

<https://www.wiltec.de/contacts/>

The most recent version of this manual in several languages can be found in our online shop:

<https://www.wiltec.de/docsearch>

Our postal address is:

WilTec Wildanger Technik GmbH
Königsbenden 12
52249 Eschweiler Germany

To return your goods for exchange, repair, or other purposes, please use the following address. Attention! To allow for a trouble-free complaint or return, it is important to contact our customer service team before returning your goods.

Retourenabteilung
WilTec Wildanger Technik GmbH
Königsbenden 28
52249 Eschweiler Germany

E-mail: **service@wiltec.info**
Phone: +49 2403 55592-0
Fax: (+49 2403 55592-15)

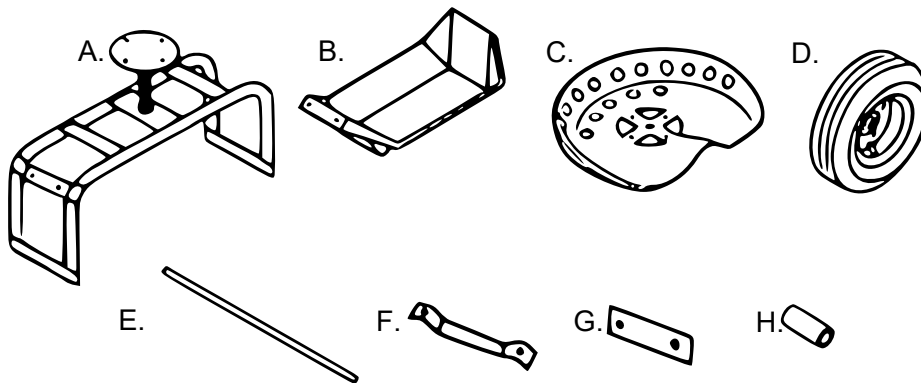
Introduction

Thank you for choosing to purchase this quality product. To minimise the risk of injury, we ask you to always take some basic safety precautions when using this product. Please read this operating manual carefully and make sure that you understand it. Keep these operation instructions in a safe place.

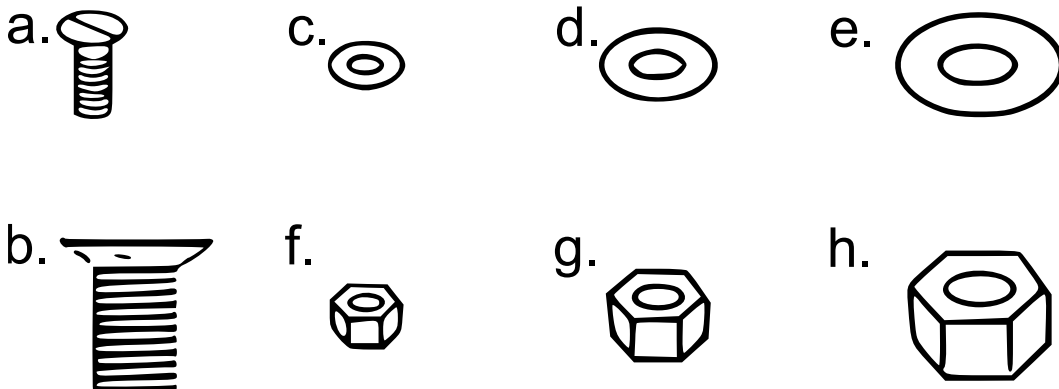
Safety instructions

- **The rolling work seat is not a toy! It is not suitable for children.**
- Der maximum charge capacity of the rolling work seat is 150 kg. The maximum capacity must not be exceeded.
- Do not inflate the tyres too much. Der maximum pressure is 2.06 bar (30 psi).
- Do not use the seat on slopes. The seat could tip over.
- Do not use the rolling seat when parts are damaged or broken.

Parts list

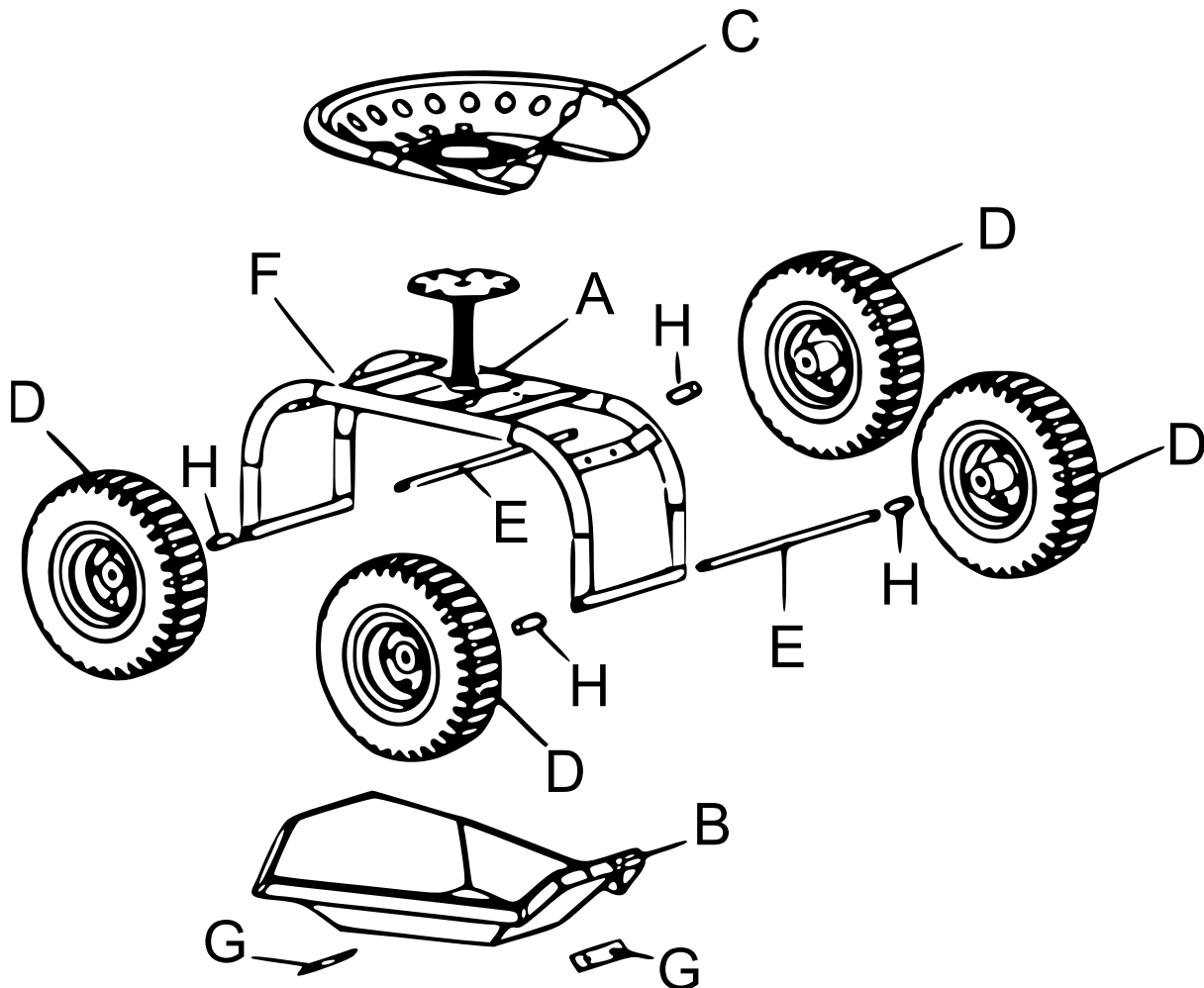


Letter	Name	Qty.	Letter	Name	Qty.
A	Frame	1	E	Rear axles	2
B	Plastic seat shell	1	F	Rear supporting plate	1
C	Seat	1	G	Reinforcing plates	2
D	Tyres	4	H	Axle holder	4



Letter	Name	Qty.	Letter	Name	Qty.
a	Screw M8×20	4	e	Washer M12	4
b	Bolt M10×15	4	f	Nylon nuts M8	4
c	Washer M8	4	g	Nylon nuts M10	4
d	Washer M10	4	h	Nylon nuts M12	4

Explosion view and assembly



Step 1

Fix the seat (**C**) to the upper frame with the help of the M10×15 bolts (**b**), the M10 washers (**d**), and M10 nylon nuts (**g**).

Step 2

Fix the front part of the plastic seat shell (**B**) to the front frame with the help of the reinforcing plate (**G**), M8×20 screws (**a**), M8 washers (**c**), and M8 nylon nuts (**f**). Fix the front part of the plastic seat shell (**B**) to the front frame with the help of the reinforcing plate (**G**), M8×20 screws (**a**), M8 washers (**c**), and M8 nylon nuts (**f**).

Step 3

Slide the rear axle (**E**) through the perforated square frame of the frame (**A**), then slide the axle holder (**H**) on both ends of the axles before fixing the tyres (**D**). Fix the tyres (**D**) to both ends of the axles with the help of M12 washers (**e**) and M12 nylon nuts (**h**).

Important Note:

Reproduction and any commercial use (of parts) of this operating manual, requires a written permission of WilTec Wildanger Technik GmbH.