

Operation Manual

Sheet Metal Folder

61574



Illustration similar, may vary depending on model

Read and follow the operating instructions and safety information before using for the first time.

Technical changes reserved!

Due to further developments, illustrations, functioning steps, and technical data can differ insignificantly.

Updating the documentation

If you have suggestions for improvement or have found any irregularities, please contact us.



The information contained in this document may alter at any time without previous notice. It is prohibited to copy or spread any parts of this document in any way without prior written allowance. All rights reserved.

The WilTec Wildanger Technik GmbH cannot be held accountable for any possible mistakes in this operating manual, nor in the diagrams and figures shown.

Even though, the WilTec Wildanger Technik GmbH has undergone biggest possible efforts to ensure that the operating manual is complete, faultless, and up to date, mistakes cannot be entirely avoided.

If you should find a mistake or wish to make a suggestion for improvement, we look forward to hearing from you.

Send an e-mail to:

service@wiltec.info

or use our contact form:

<https://www.wiltec.de/contacts/>

The most recent version of this manual in various languages can be found in our online shop via:

<https://www.wiltec.de/docsearch>

Our postal address is:

WilTec Wildanger Technik GmbH
Königsbenden 12
52249 Eschweiler
Germany

To return orders for exchange, repair, or other purposes, please use the following address. Attention! To allow for a smooth execution of your complaint or return, it is important to contact our customer service team before returning the goods.

Returns Department
WilTec Wildanger Technik GmbH
Königsbenden 28
52249 Eschweiler

E-mail: **service@wiltec.info**

Tel: +49 2403 55592-0

Fax: +49 2403 55592-15



Introduction

Thank you for purchasing this quality product. **To minimise the risk of injury we urge that our clients take some basic safety precautions when using this device. Please read the operation instructions carefully and make sure you have understood its content.**

Keep these operation instructions safe.

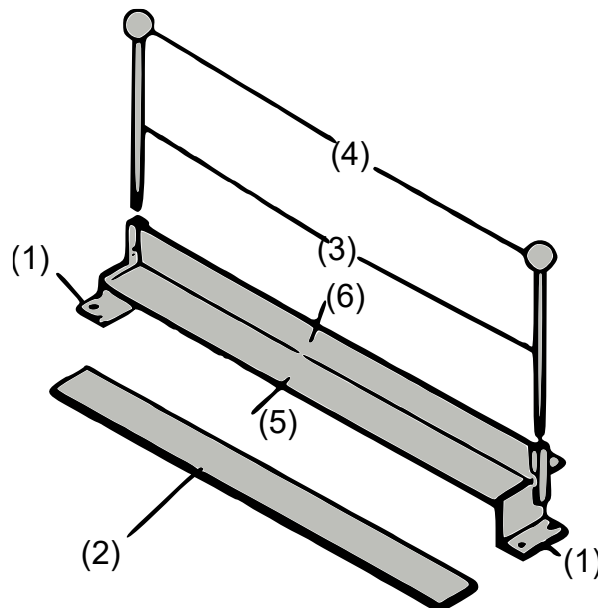
Safety notes and warnings

- Keep your working area clean and tidy. Crowded and untidy work areas increase the danger of injury.
- Consider the conditions of your work space. Never use machines or electrical devices in a humid or wet surrounding. Your work area should always be well illuminated. Do not use any electrical devices near flammable gasses or liquids.
- Keep children away. Children are not allowed to be in the direct surrounding of the workspace. Do **not** allow them to operate machines, tools, or extension cables.
- Store equipment which you are not using. Store devices and tools being unused in a dry area to protect them from rust. Keep tools and devices out of the children's reach when storing them.
- Never apply too high a pressure on the device. Work will be safer and more effective when the device is used within the range of speed that it was designed for. Do not attach any additional components to the device to exceed the maximum ratings of the device.
- Use the right tool/device for every work to be carried out. Do not try to use smaller tools by force to carry out work of bigger industrial tools. Use tools and devices only for their intended purpose.
- Dress adequately. Do not wear loose clothing or jewellery which can get caught in moving parts. Protective, non-conducting clothing and non-slip shoes are recommended during work. Tie long hair together or wear a hairnet.
- Wear eye and hearing protection. Always wear a pair of shatter-proof safety glasses. When metal or wood splinters or dust is created during the work process, wear a full-face cover. Wear a respiratory mask or a breathing apparatus when working with materials such as wood or metal or when coming into contact with chemical vapours or dust particles.
- Never lean too far forward. Make sure that you have a secure positioning and can always hold your balance. Never reach over a running machine.
- Care for and maintain your tools and devices thoroughly. Keep tools sharp and clean to allow a good working result. Follow the instructions on greasing and exchanging spare parts. The handle needs to be clean, dry, and free from oil and lubricants.
- Stay aware. Focus on your what you are doing and carry out work with care and thoughtfulness. Do not use devices and tools if you are tired.
- Check the device before every use for damaged parts. If any part seems damaged, the device should be thoroughly checked to make sure that its performance is not affected in any way. Check the alignment and connection of the moving parts, the mounting devices, and examine the device for possible broken parts or impairments on the performance. Broken parts need to be repaired or exchanged properly by a qualified technician.
- Protect yourself from electric shocks. Avoid any physical contact with earthed surfaces, such as pipes, heating elements, and refrigerators.
- Do not use the device if you are under the influence of drugs, alcohol, or medicine. Read the warning and safety notes included in the package insert to make sure that your judgement and reflexes are not affected by the medicine negatively. If you are unsure, you should not use the device.

Mounting and operating instructions

- Attach the frame **(1)** to the workbench via 0.95 cm ($\frac{3}{8}$ ") mounting bolts (not included in the delivery).
- Attach the handle balls **(4)** to the handle levers **(3)** and then attach the handle levers to the frame (see illustration).
- For an easier use, please use a scribe (not included in the delivery) to engrave a straight line into a metal sheet and be able to fold it afterwards.
- Position the material needing to be folded above the carrier plate **(5)** and below the folding panel **(6)**.
- Place the wider base of the pressure plate above the material. Match the corner to the marked folding line.
- **Please note:** First test the device on a scrap metal sheet to determine the required distance.
- To keep the pressure plate down, use clamps (not included in the delivery) or other tensioning tools.
- Lift the handle levers, to fold the material in the desired angle.
- **Warning:** During the use, keep your fingers away from the carrier plate and the moving plates.
- **Please note:** The handle levers are not designed to be attached to the frame continuously.
- When the work is finished, remove the pressure plate and clean the surface. Then clean the press brake with a smooth and clean cloth and store the press brake in a safe and dry area out of the reach of children.

Components and their names



Nº	Name	Qty	Nº	Name	Qty
1	Frame	2	4	Handle balls	2
2	Pressure plate	1	5	Carrier plate	1
3	Handle levers	2	6	Folding panel	1

Important notice:

The reprint or reproduction, even of excerpts, and any commercial use, even in part, of this instruction manual require the written permission of WilTec Wildanger Technik GmbH.