

# Operation Manual

## Hose Reel Cart

61595



Illustration similar, may vary depending on model

Read and follow the operating instructions and safety information before using for the first time.

Technical changes reserved!

Due to further developments, illustrations, functioning steps, and technical data can differ insignificantly.

Updating the documentation

If you have suggestions for improvement or have found any irregularities, please contact us.



The information contained in this document may alter at any time without previous notice. It is prohibited to copy or spread any parts of this document in any way without prior written allowance. All rights reserved.

The WilTec Wildanger Technik GmbH cannot be held accountable for any possible mistakes in this operating manual, nor in the diagrams and figures shown.

Even though, the WilTec Wildanger Technik GmbH has undergone biggest possible efforts to ensure that the operating manual is complete, faultless, and up to date, mistakes cannot be entirely avoided.

If you should find a mistake or wish to make a suggestion for improvement, we look forward to hearing from you.

Send an e-mail to:

[service@wiltec.info](mailto:service@wiltec.info)

or use our contact form:

<https://www.wiltec.de/contacts/>

The most recent version of this manual in various languages can be found in our online shop via:

<https://www.wiltec.de/docsearch>

Our postal address is:

WilTec Wildanger Technik GmbH  
Königsbenden 12  
52249 Eschweiler  
Germany

To return orders for exchange, repair, or other purposes, please use the following address. Attention! To allow for a smooth execution of your complaint or return, it is important to contact our customer service team before returning the goods.

Returns Department  
WilTec Wildanger Technik GmbH  
Königsbenden 28  
52249 Eschweiler

E-mail: **service@wiltec.info**

Tel: +49 2403 55592-0

Fax: +49 2403 55592-15

## Introduction

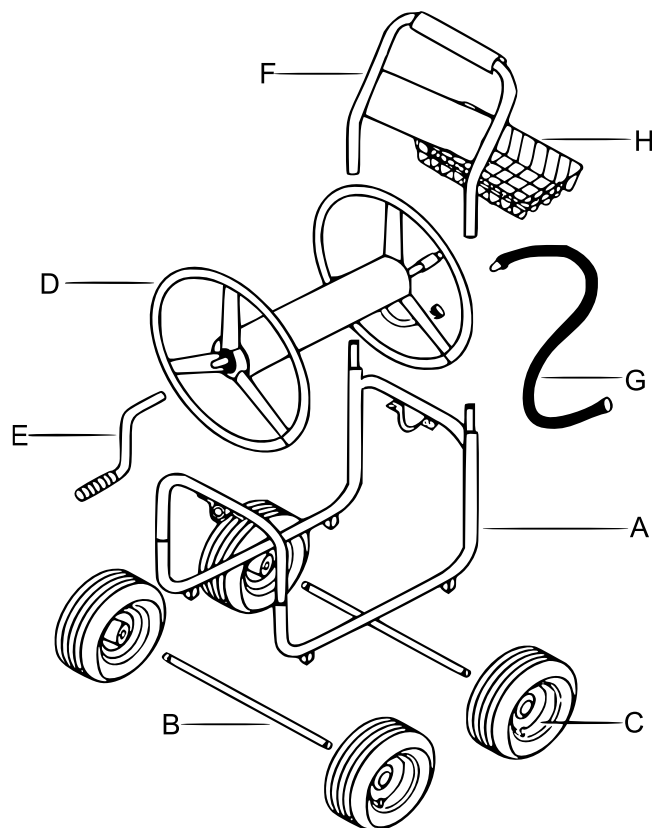
Thank you for purchasing this quality product. **To minimise the risk of injury we urge that our clients take some basic safety precautions when using this device. Please read the operation instructions carefully and make sure you have understood its content.**

Keep these operation instructions safe.

**Note:** The hose reel cart offers space for up to 70 m garden hose with a 19 mm (3/4") connection. (The garden hose is not included in the delivery.)

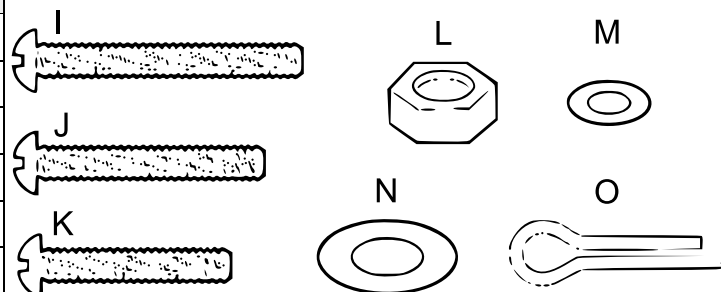
## Main parts list

No	Name	Qty
A	Frame	1
B	Type D axis	2
C	Wheel	4
D	Hose reel	1
E	Crank handle	1
F	Handle	1
G	Supply hose	1
H	Equipment basket	1



## Small parts list

No	Name	Qty
I	Screw M6×40	4
J	Screw M6×35	2
K	Bolt M6×30	1
L	Nylon nut M6	7
M	Flat washer M6	7
N	Flat washer M16	4
O	Locking pin	4



Figures

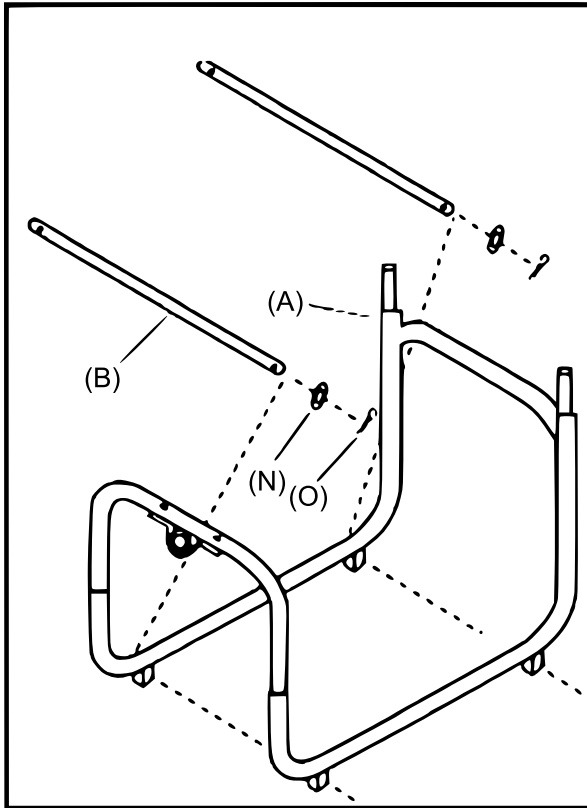


Figure 1

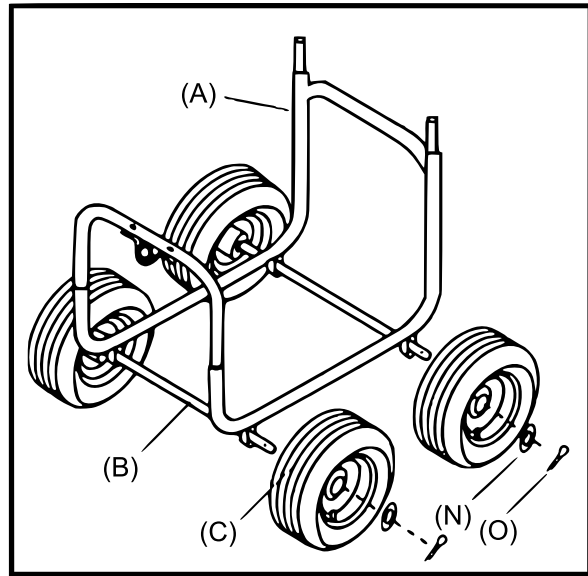


Figure 2

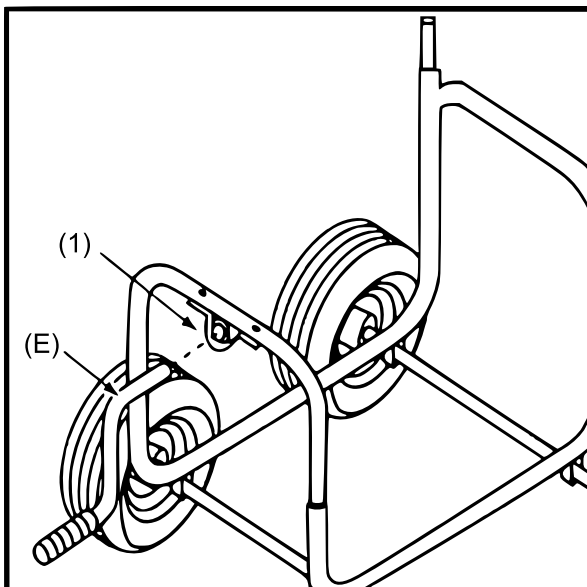


Figure 3

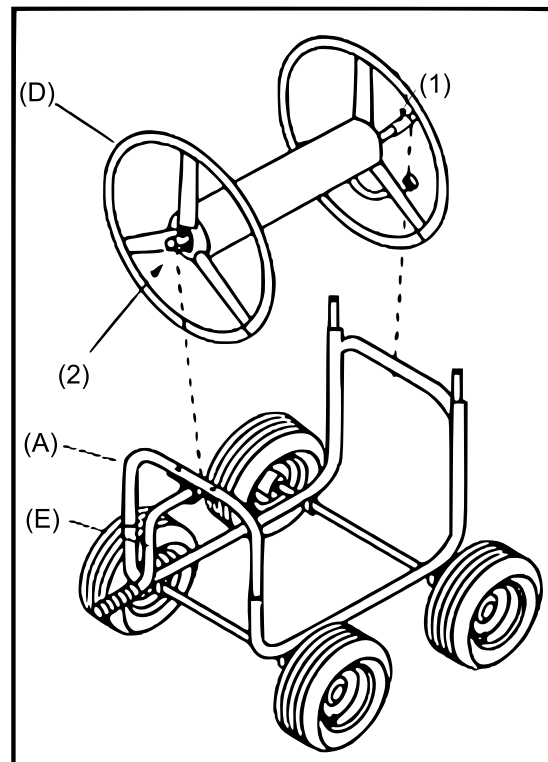


Figure 4

Nº	Name	Nº	Name	Nº	Name
1	Crank hub	1	Hose coupling	2	Crank shaft

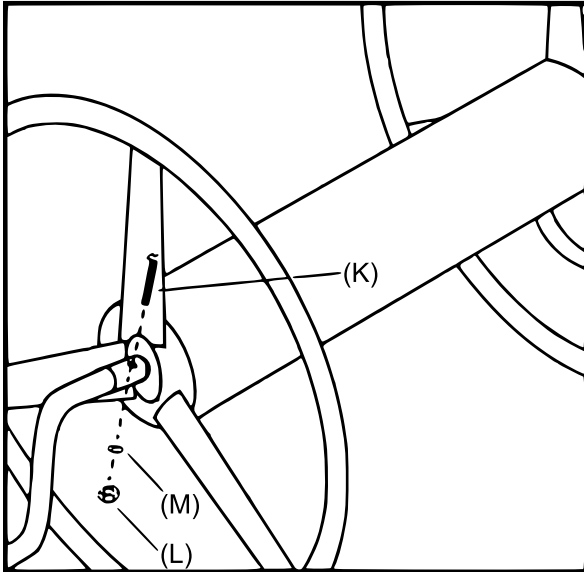


Figure 5

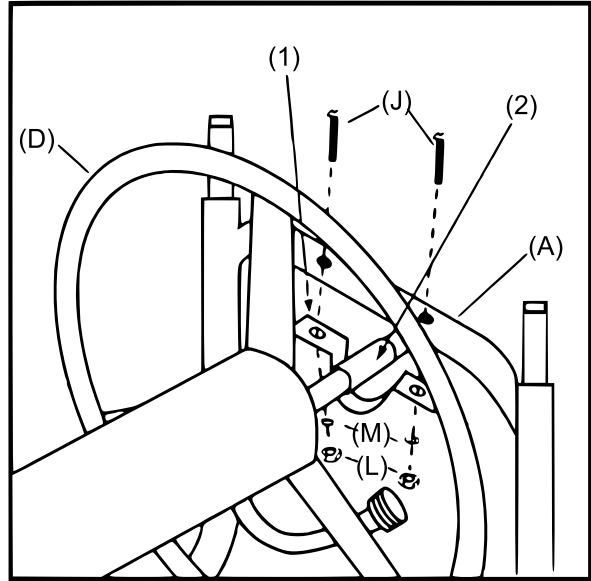


Figure 6

Nº	Name	Nº	Name
1	Bracket	2	Hose coupling

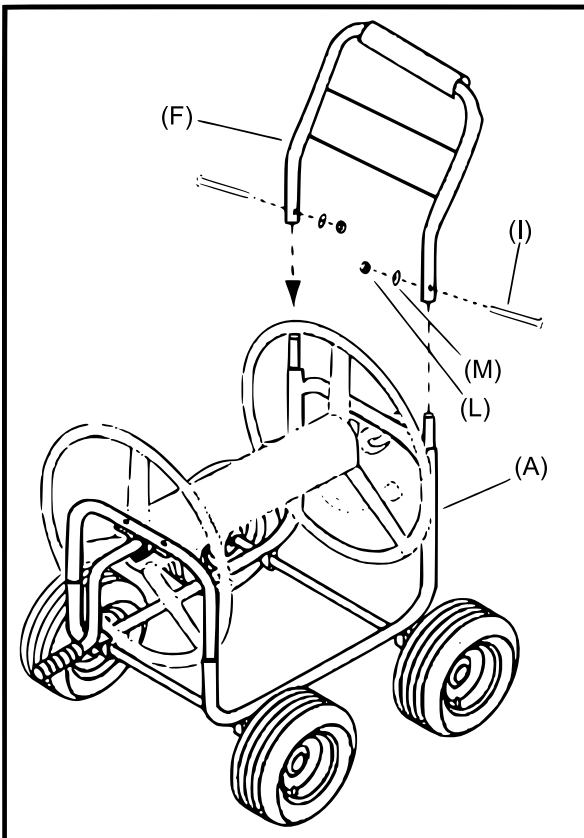


Figure 7

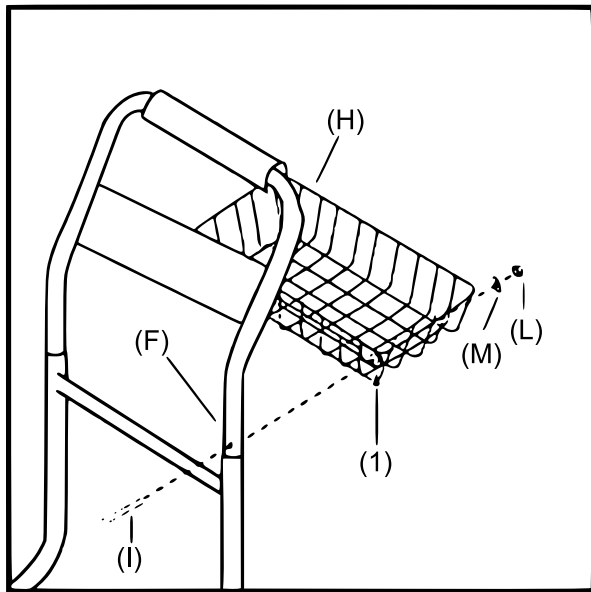


Figure 8

Nº	Name
1	Basket attachment

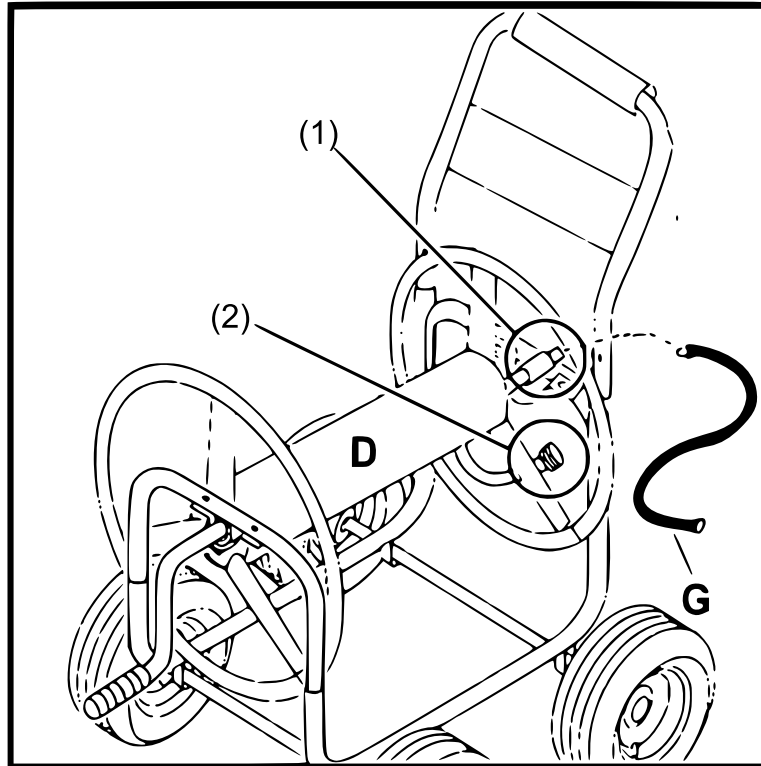


Figure 9

No	Name	No	Name
1	Water connection	2	Garden hose connection

**Warning:** Non-compliance with the warnings and information can lead to serious injury and/ or damage of the product.

Before use, ensure that all connections are working accordingly. Do not use any pointy objects to edit the device. Keep out of reach of children.

Important notice:

The reprint or reproduction, even of excerpts, and any commercial use, even in part, of this instruction manual require the written permission of WilTec Wildanger Technik GmbH.