

Operation Manual

Sliding Door System Set

61811, 61812



Illustration similar, may vary depending on model

Read and follow the operating instructions and safety information before using for the first time.

Technical changes reserved!

Due to further developments, illustrations, functioning steps, and technical data can differ insignificantly.

Updating the documentation

If you have suggestions for improvement or have found any irregularities, please contact us.



The information contained in this document may alter at any time without previous notice. It is prohibited to copy or spread any parts of this document in any way without prior written allowance. All rights reserved.

The WilTec Wildanger Technik GmbH cannot be held accountable for any possible mistakes in this operating manual, nor in the diagrams and figures shown.

Even though, the WilTec Wildanger Technik GmbH has undergone biggest possible efforts to ensure that the operating manual is complete, faultless, and up to date, mistakes cannot be entirely avoided.

If you should find a mistake or wish to make a suggestion for improvement, we look forward to hearing from you.

Send an e-mail to:

service@wiltec.info

or use our contact form:

<https://www.wiltec.de/contacts/>

The most recent version of this manual in various languages can be found in our online shop via:

<https://www.wiltec.de/docsearch>

Our postal address is:

WilTec Wildanger Technik GmbH
Königsbenden 12
52249 Eschweiler
Germany

To return orders for exchange, repair, or other purposes, please use the following address. Attention! To allow for a smooth execution of your complaint or return, it is important to contact our customer service team before returning the goods.

Returns Department
WilTec Wildanger Technik GmbH
Königsbenden 28
52249 Eschweiler

E-mail: **service@wiltec.info**

Tel: +49 2403 55592-0

Fax: +49 2403 55592-15



Introduction

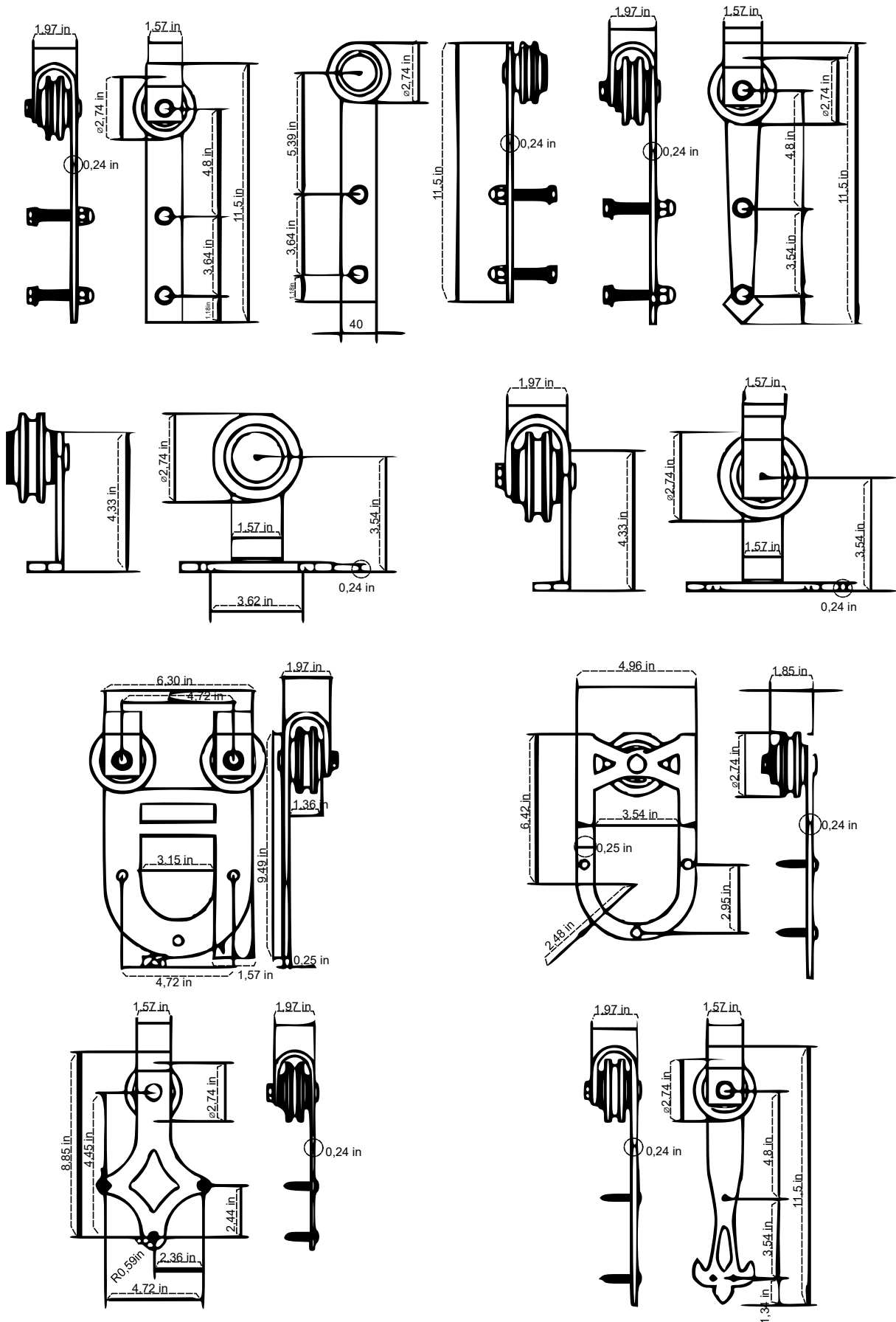
Thank you for purchasing this quality product. **To minimise the risk of injury we urge that our clients take some basic safety precautions when using this device. Please read the operation instructions carefully and make sure you have understood its content.**

Keep these operation instructions safe.

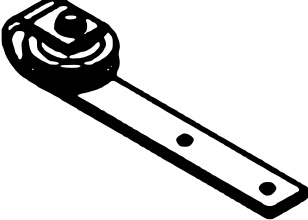
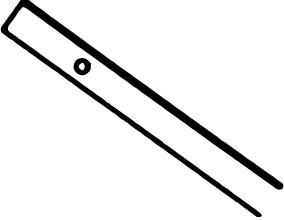
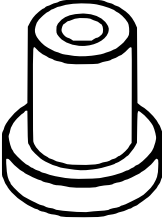
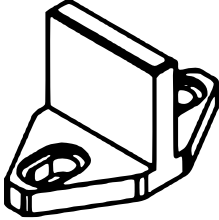
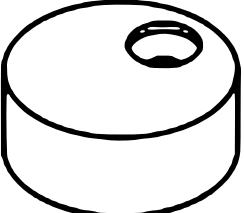
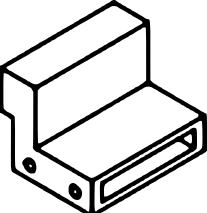
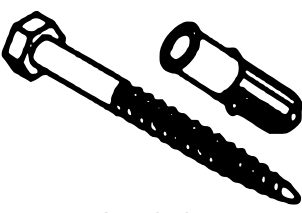
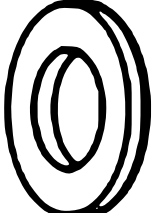
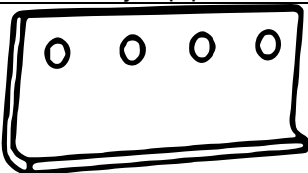
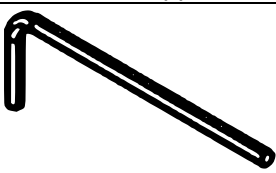
Safety precautions

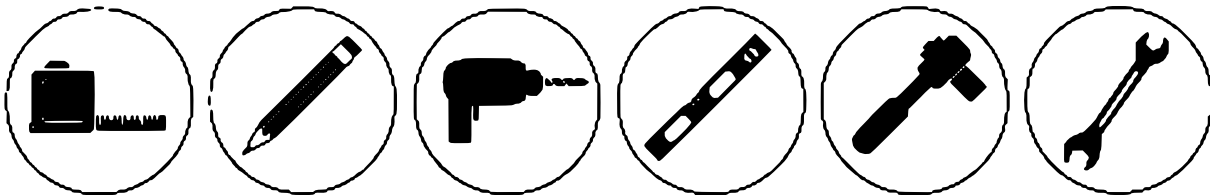
- Always wear protective equipment (e.g., protective goggles) when working with power tools. Not wearing suitable protective equipment can lead to serious injuries or death.
- Improper use of power tools can lead to loss of control, serious injury, or death. Always ensure that you have a complete control of the power tool and that the work area is free from hazards before operating a power tool.
- Make sure that your work area is tidy and adequately lit. An untidy or poorly lit workplace increases the risk of accidents.
- Secure the door before cutting or drilling holes in it. Failure to secure it in place could result in unexpected movement of the door, loss of control of the power tool, and serious injury or death.
- Missing or incorrectly attached anti-jump discs can lead to the door becoming detached from the rail and thus causing serious injuries. The installation of anti-jump discs is necessary for the safe operation of this sliding door system. When properly installed, the discs hold the door securely attached to the door rail.
- Improper handling of heavy objects (e.g., doors) can lead to loss of balance and serious injuries. Always make sure that you are holding the item securely and in balance before moving the item. Always wear safety shoes when lifting heavy objects.
- Keep limbs, hair, and loose clothing or jewellery away from moving parts. If limbs (e.g., fingers), hair, or objects on the body get caught in the moving parts, this can lead to injuries.
- Closing sliding doors with your hand at the end of the door can result in your hand or fingers being trapped between the door and a solid object (e.g., another door, moulding, etc.), causing serious injury. Always use the door handle to close the door.

Note! Use of excessive force to open and close the door(s) can damage the item. Always hold the handle and open and close the door(s) gently.



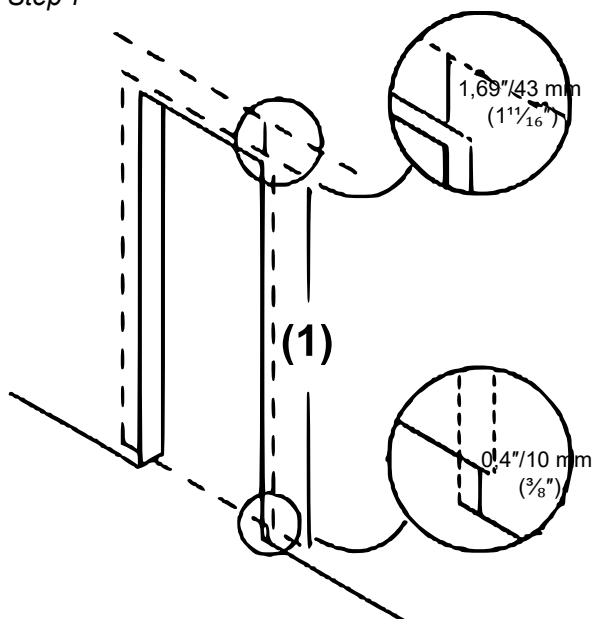
Supplied parts required for assembly

 Steel hanger	 Flat rail	 Adjustable spacer	 Floor guide
 Anti-jump pad	 Door stopper	 Lag bolt	 Washer
 Junction plate	 Hex wrench		



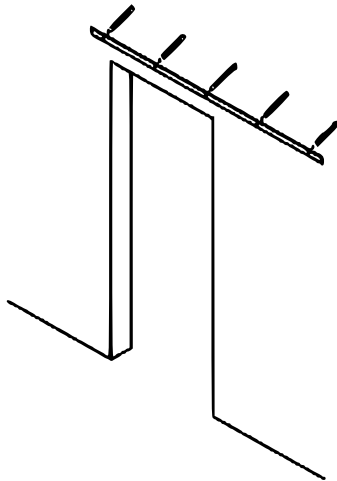
Assembly

Step 1



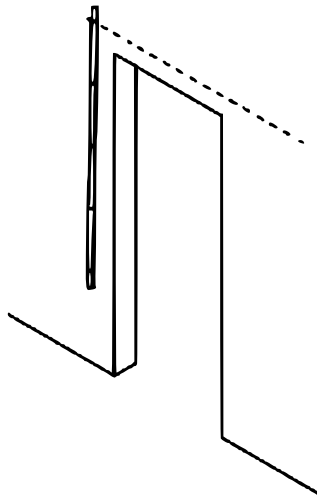
1. The distance between the floor and the rail middle line is 43 mm + door height **(1)** + 10 mm. With a pencil, draw this line on the wall above the doorway, making sure that it is level.
2. Check that your floor is level. If not, measure the correct distance from the highest point of the floor.
3. Make sure that the line that you have drawn has the same length as the rail. This makes it easier for you to find the centre of the rail holes so that you can then attach the rail to the wall.

Step 2



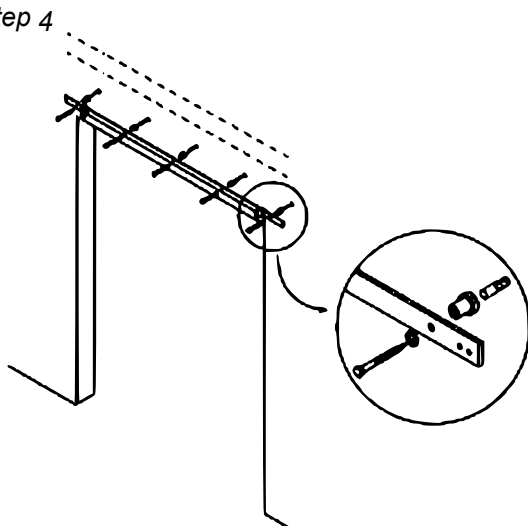
1. Now hold the rail so that the line drawn on the wall in step 1 is visible through the rail holes.
2. Mark the drilling point in the middle of each rail hole.
3. Set the rail aside.
4. Using a 12 mm bit, drill the holes for the rail at the markings. You do not need to drill holes if the wall is made of wood.

Step 3



1. Put a door stop on the end of the rail; but do not screw it tight until later with the Allen key (see below).
2. Loosely attach one end of the rail to the wall.

Step 4



1. Guide the rail up and hold it horizontally. Then repeat step 3 at the other end of the rail.
2. Now attach the screws to the remaining holes in between.
3. After all screws have been inserted, tighten them with the key. Make sure, however, that they are not overtightened so that they can be removed again.

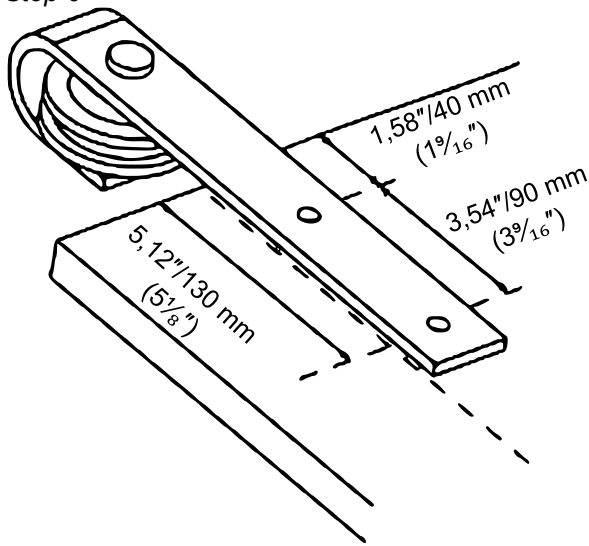
Step 5



Slit the door on the underside with a suitable tool (7 mm wide and 20 mm deep). The slot is designed so that the door can run over the floor guide.

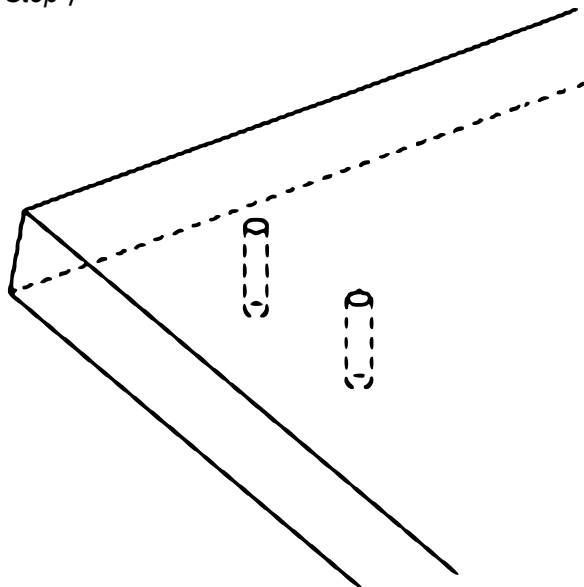


Step 6



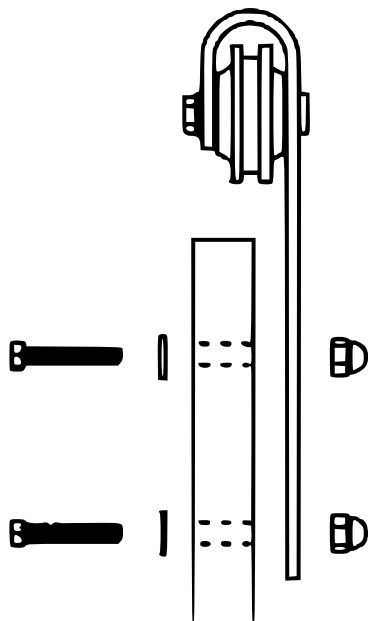
1. Lay the door face up on the floor and place the steel bracket on top. Draw a line parallel to the side edge of the door. The distance between the edge of the door and the edge of the steel bracket depends on where the doorstop is installed.
2. Place the steel bracket on the line that you have just drew.
3. Hold the bracket. The distance from the top of the door to the first hole is 40 mm and to the second hole is 130 mm.
4. Mark the location for the pilot holes in the middle of the two bracket holes.
5. Repeat step 6 on the opposite side of the door.

Step 7



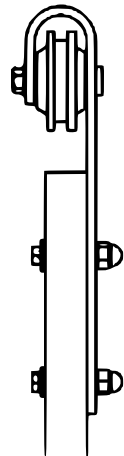
1. Drill a pilot hole at one of the locations you marked in step 6. Use a 10 mm drill bit and drill all the way through the door. Be careful and make sure that the hole is accurate.
2. Repeat this for the other marked positions.

Step 8



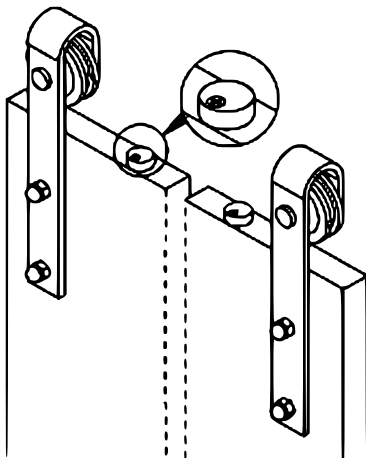
1. Screw the hex bolts through the back of the door. Do not forget the washers.
2. Hold the hexagon head bolts with a wrench and tighten the cap nuts by hand.

Step 9



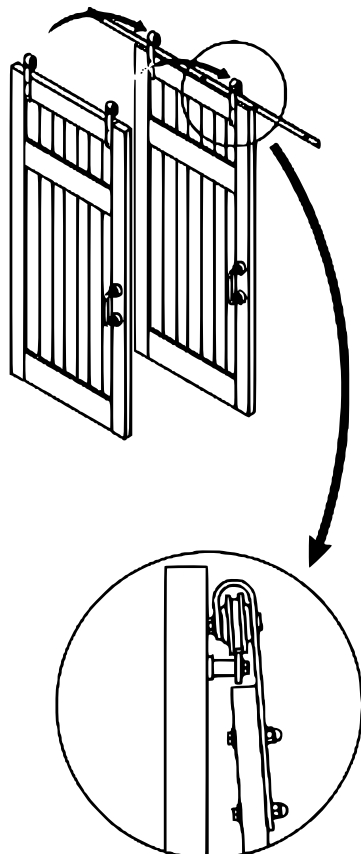
1. Now tighten the screw and the cap nut. Make sure that the screw does not spin and that the steel bracket is not damaged.
2. Repeat the step on the opposite edge of the door.
3. The assembly of the steel brackets on your door is now complete.

Step 10



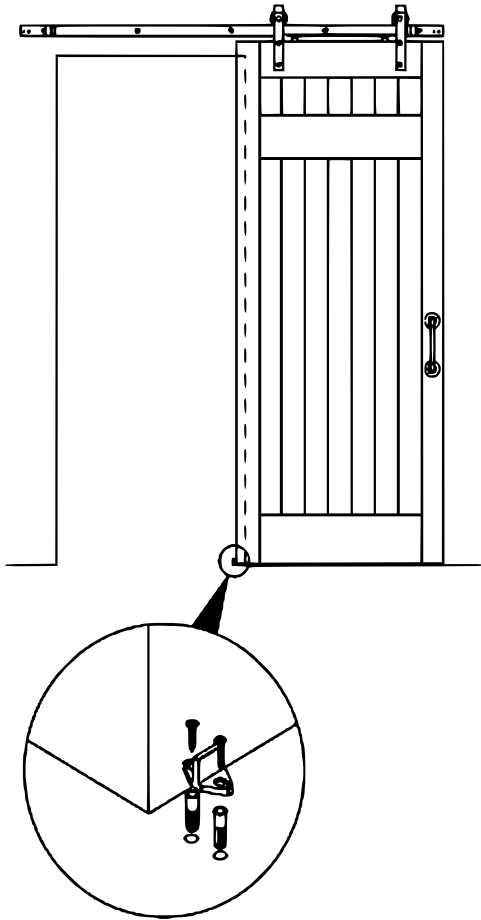
1. Place one of the anti-jump discs on top of the door near the bracket. Fasten the disc loosely to the door with the wood screw.
2. Also attach the other anti-jump disc next to the other steel bracket. Then screw both discs tight. These can prevent the door from jumping out of the rail.

Step 11

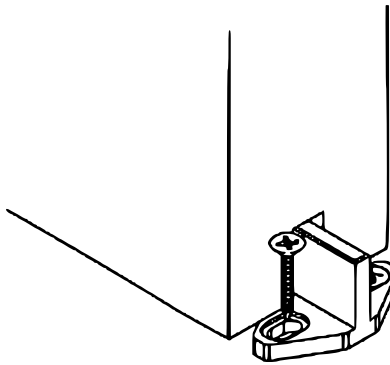


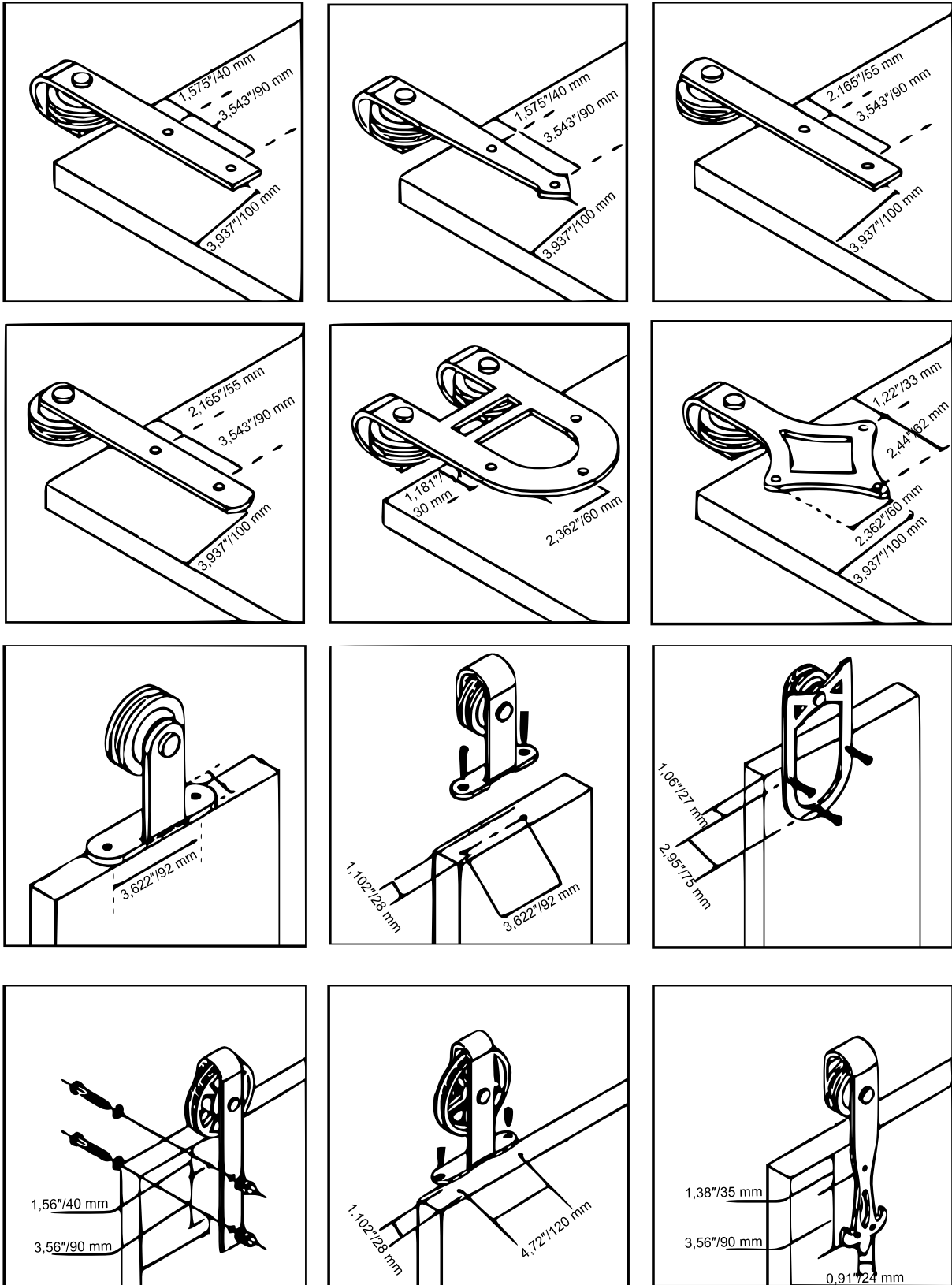
Tilt the door slightly, lift it onto the rail and carefully place both wheels with the grooves on top of the rail guide.

Step 12



1. Slide the door as far as you want to have it open.
2. Use the spirit level to determine whether the door is hanging straight.
3. When the door is up to where you want it open, slide the floor guide halfway into the slot from step 5.
4. Check again whether the door is hanging straight.
5. Hold the floor guide and mark the locations exactly in the middle of the holes on the floor where you need to drill.
6. Use a 6 mm drill bit to drill 2 holes in the floor at the points you marked.
7. Insert the plastic expansion plugs into the holes.
8. Repeat steps 1–3 and 1–4. Then, hold the floor guide and attach it securely by tightening the screws with a cross-head screwdriver.
9. The installation of the fitting is now complete.





Important Note:

Reprinting, even in part, and any commercial use, including parts of the manual, only with the written consent of WilTec Wildanger Technik GmbH.