

Operation Manual

Roof Rack for Kayaks

61814

toboli



Illustration similar, may vary depending on model

Read and follow the operating instructions and safety information before using for the first time.

Technical changes reserved!

Due to further developments, illustrations, functioning steps, and technical data can differ insignificantly.

Updating the documentation

If you have suggestions for improvement or have found any irregularities, please contact us.



The information contained in this document may alter at any time without previous notice. It is prohibited to copy or spread any parts of this document in any way without prior written allowance. All rights reserved.

The WilTec Wildanger Technik GmbH cannot be held accountable for any possible mistakes in this operating manual, nor in the diagrams and figures shown.

Even though, the WilTec Wildanger Technik GmbH has undergone biggest possible efforts to ensure that the operating manual is complete, faultless, and up to date, mistakes cannot be entirely avoided.

If you should find a mistake or wish to make a suggestion for improvement, we look forward to hearing from you.

Send an e-mail to:

service@wiltec.info

or use our contact form:

<https://www.wiltec.de/contacts/>

The most recent version of this manual in various languages can be found in our online shop via:

<https://www.wiltec.de/docsearch>

Our postal address is:

WilTec Wildanger Technik GmbH
Königsbenden 12
52249 Eschweiler
Germany

To return orders for exchange, repair, or other purposes, please use the following address. Attention! To allow for a smooth execution of your complaint or return, it is important to contact our customer service team before returning the goods.

Returns Department
WilTec Wildanger Technik GmbH
Königsbenden 28
52249 Eschweiler

E-mail: **service@wiltec.info**

Tel: +49 2403 55592-0

Fax: +49 2403 55592-15

Introduction

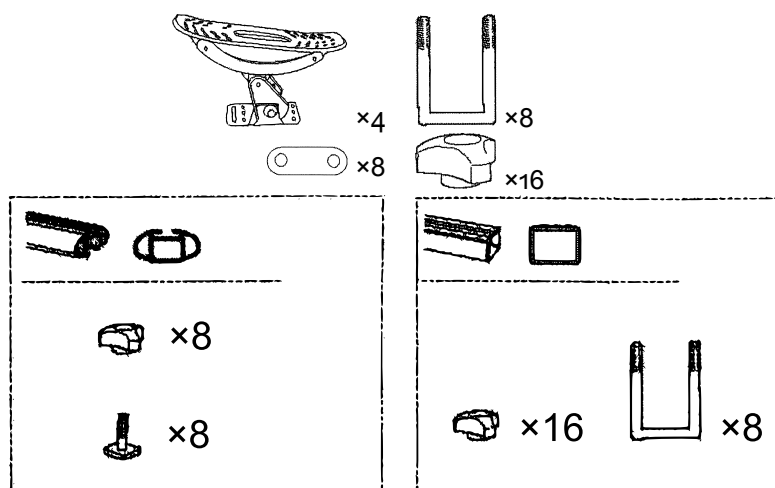
Thank you for purchasing this quality product. **To minimise the risk of injury we urge that our clients take some basic safety precautions when using this device. Please read the operation instructions carefully and make sure you have understood its content.**

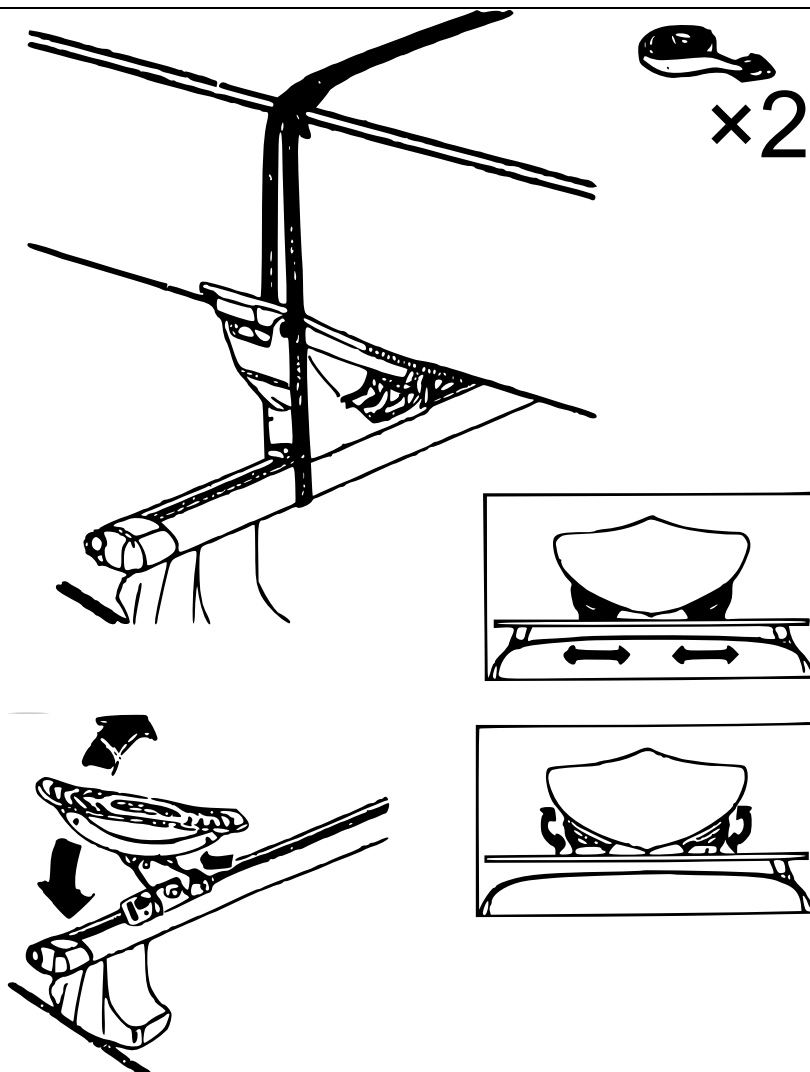
Keep these operation instructions safe.

Security precautions

- Before charging the rack, make sure that it is securely mounted and not damaged.
- Consider the roof charge and the permissible total weight of your vehicle. The permissible total weight must not be exceeded.
- The maximum load capacity of the rack is 70 kg. This capacity must not be exceeded.
- Follow the legal stipulations of the road traffic regulations during transport. For example, the total width of the vehicle with its charge must not exceed 2,55 m, its total height must not exceed 4 m.
- Make sure that the charge is correctly secured with fastening straps and tension belts.
- Regularly control the charge and the fastening.
- Adapt your driving style to the additional charge.

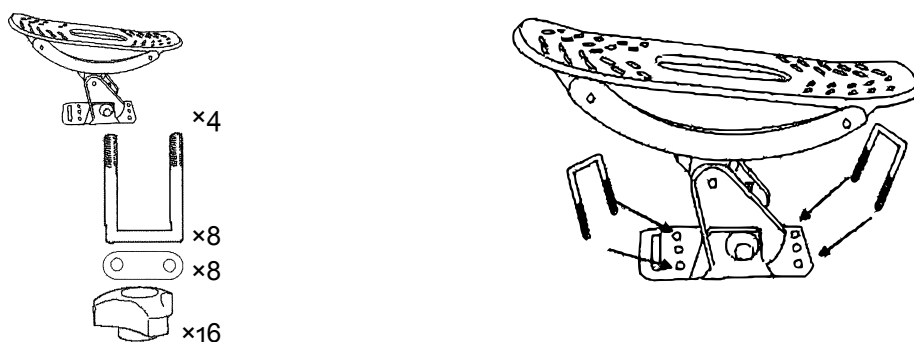
Scope of delivery



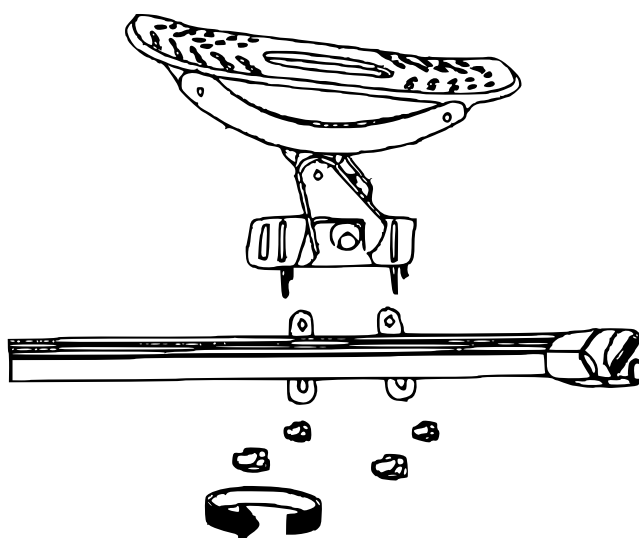


Mounting instructions for square bars

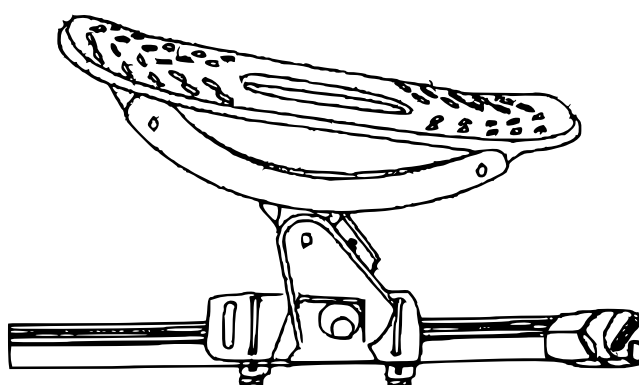
1st step



2nd step

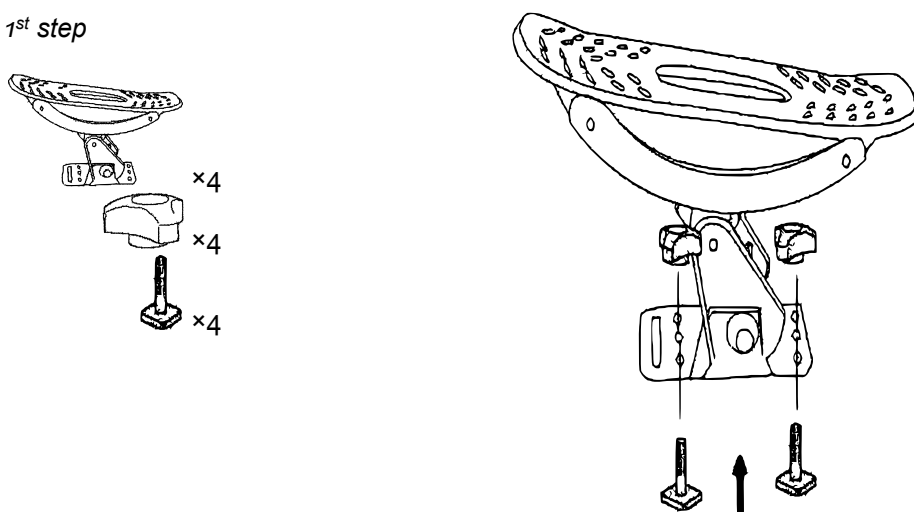


3rd step

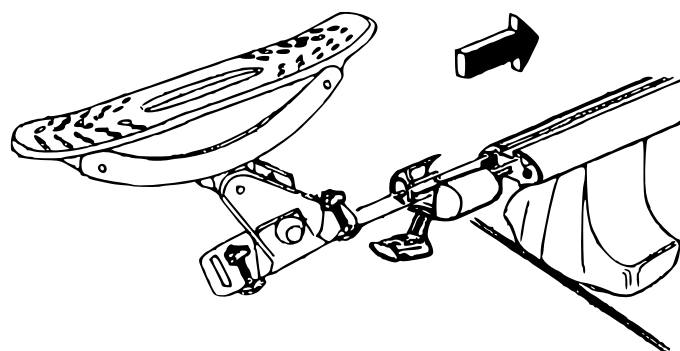


Mounting instruction for oval bars

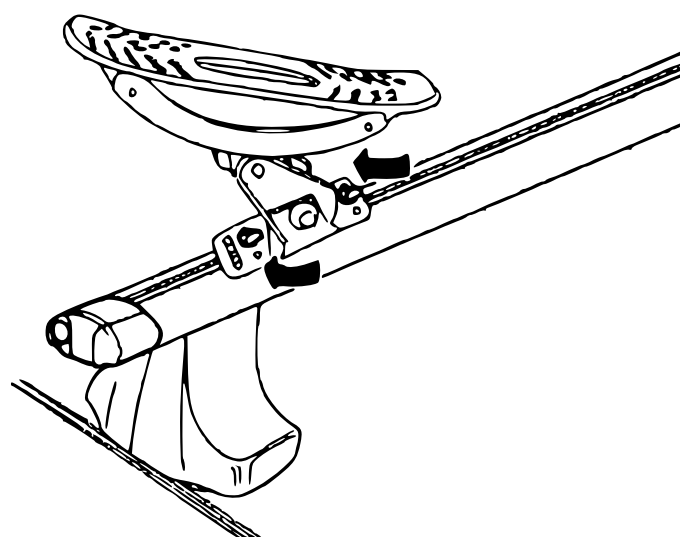
1st step



2nd step



3rd step



Important notice:

The reprint or reproduction, even of excerpts, and any commercial use, even in part, of this instruction manual require the written permission of WilTec Wildanger Technik GmbH.