

# Operation Manual

## Stainless Steel Rain Shower

61836, 61837



Illustration similar, may vary depending on model

Read and follow the operating instructions and safety information before using for the first time.

Technical changes reserved!

Due to further developments, illustrations, functioning steps, and technical data can differ insignificantly.

Updating the documentation

If you have suggestions for improvement or have found any irregularities, please contact us.



The information contained in this document may alter at any time without previous notice. It is prohibited to copy or spread any parts of this document in any way without prior written allowance. All rights reserved.

The WilTec Wildanger Technik GmbH cannot be held accountable for any possible mistakes in this operating manual, nor in the diagrams and figures shown.

Even though, the WilTec Wildanger Technik GmbH has undergone biggest possible efforts to ensure that the operating manual is complete, faultless, and up to date, mistakes cannot be entirely avoided.

If you should find a mistake or wish to make a suggestion for improvement, we look forward to hearing from you.

Send an e-mail to:

[service@wiltec.info](mailto:service@wiltec.info)

or use our contact form:

<https://www.wiltec.de/contacts/>

The most recent version of this manual in various languages can be found in our online shop via:

<https://www.wiltec.de/docsearch>

Our postal address is:

WilTec Wildanger Technik GmbH  
Königsbenden 12  
52249 Eschweiler  
Germany

To return orders for exchange, repair, or other purposes, please use the following address. Attention! To allow for a smooth execution of your complaint or return, it is important to contact our customer service team before returning the goods.

Returns Department  
WilTec Wildanger Technik GmbH  
Königsbenden 28  
52249 Eschweiler

E-mail: **service@wiltec.info**

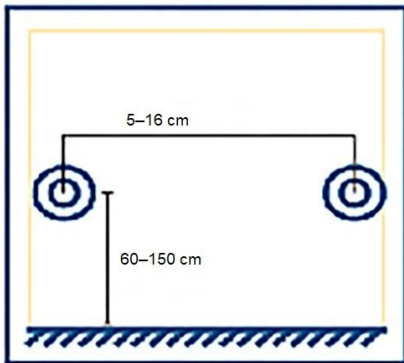
Tel: +49 2403 55592-0

Fax: +49 2403 55592-15

## Introduction

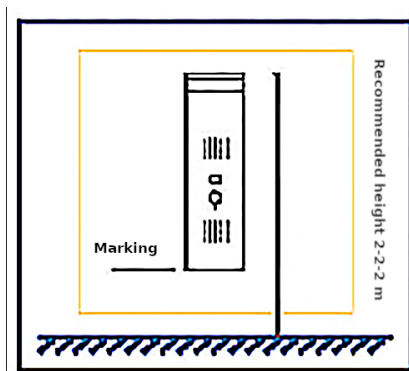
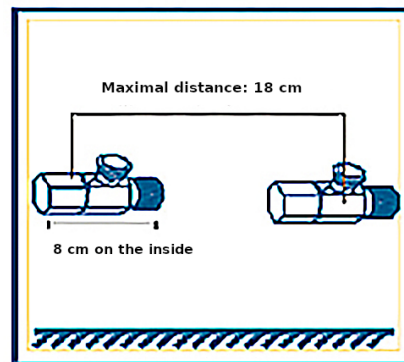
Thank you for purchasing this quality product. **To minimise the risk of injury we urge that our clients take some basic safety precautions when using this device. Please read the operation instructions carefully and make sure you have understood its content.** Keep these operation instructions safe.

## Mounting steps



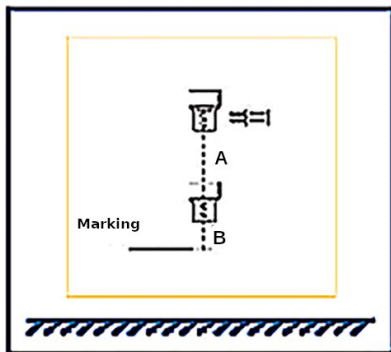
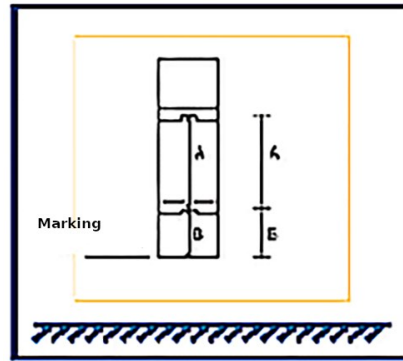
Mounting requirements: The distance between the HC water supply pipe needs to be 5–16 cm. The distance to the floor is 60–150 cm.

As shown in the illustration, use a rectangular angle valve or a ½ inch elbow connection.



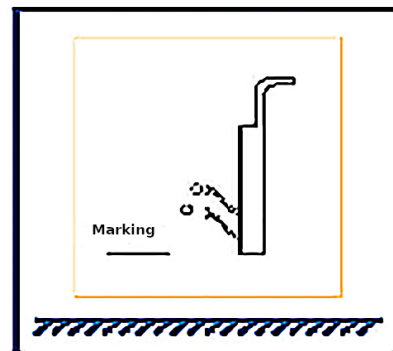
Ensure that the mounting height is the height you wish and mark the height accordingly.

Measure the gap between A and B precisely and mark it (this gap is dependent on the size of the product).



Drill holes as shown in the illustration and mount the holding device.

Connect the hose to the valve (H left, C right). Open the valve and place the product on the holding device. The mounting is then finished.



### Mounting notes

- Do not install the rain shower beneath the heating element. The horizontal distance should be more than 30 cm, as steel heats up very fast.
- Remove all pollutants to guarantee the flow and to prevent any blockades.
- Read the instructions thoroughly. A wall mounting offers the most ideal method of mounting. Minimal deviation of the measurements is all right as long as the device can be mounted to the holding device securely.
- The direction of the G ½ inch elbow connection is determined by the height of the water pipes in the wall and the mounting height. The right positioning enables the HC hose to be in a straight position and thus the use is improved.
- When the hand shower bracket is being installed, the front should be installed via hand and the nut behind it should be tightened, as the surface might be scratched by the hand shower bracket.
- Please remove the protective foil after mounting. The protective foil protects the rain shower during mounting against pollution or damage of the surface.

**Technical data**

<b>Suitable water pressure (bar)</b>	1–6	
<b>Working temperature (°C)</b>	0–99	
<b>Connection (inch)</b>	½	
<b>Dimensions (cm)</b>	15×47×130	
<b>Colour</b>	<b>61836</b>	Silver
	<b>61837</b>	Black
<b>Weight (kg)</b>	8.5	

**Flow rate check table**

<b>Pressure (bar)</b>	0,5	1	1,5	2	2,5	3	3,5	4	4,5	5	5,5
<b>Flow rate (l/min)</b>	10,3	15,3	18,3	21,3	23,8	25,8	27,8	29,5	30,8	32,2	33,3

**Important notice:**

The reprint or reproduction, even of excerpts, and any commercial use, even in part, of this instruction manual require the written permission of WilTec Wildanger Technik GmbH.