

Operation Manual

Electric Stapler/Nail Gun

61859



Illustration similar, may vary depending on model

Read and follow the operating instructions and safety information before using for the first time.

Technical changes reserved!

Due to further developments, illustrations, functioning steps, and technical data can differ insignificantly.

Updating the documentation

If you have suggestions for improvement or have found any irregularities, please contact us.



The information contained in this document may alter at any time without previous notice. It is prohibited to copy or spread any parts of this document in any way without prior written allowance. All rights reserved.

The WilTec Wildanger Technik GmbH cannot be held accountable for any possible mistakes in this operating manual, nor in the diagrams and figures shown.

Even though, the WilTec Wildanger Technik GmbH has undergone biggest possible efforts to ensure that the operating manual is complete, faultless, and up to date, mistakes cannot be entirely avoided.

If you should find a mistake or wish to make a suggestion for improvement, we look forward to hearing from you.

Send an e-mail to:

service@wiltec.info

or use our contact form:

<https://www.wiltec.de/contacts/>

The most recent version of this manual in various languages can be found in our online shop via:

<https://www.wiltec.de/docsearch>

Our postal address is:

WilTec Wildanger Technik GmbH
Königsbenden 12
52249 Eschweiler
Germany

To return orders for exchange, repair, or other purposes, please use the following address. Attention! To allow for a smooth execution of your complaint or return, it is important to contact our customer service team before returning the goods.

Returns Department
WilTec Wildanger Technik GmbH
Königsbenden 28
52249 Eschweiler

E-mail: **service@wiltec.info**

Tel: +49 2403 55592-0

Fax: +49 2403 55592-15

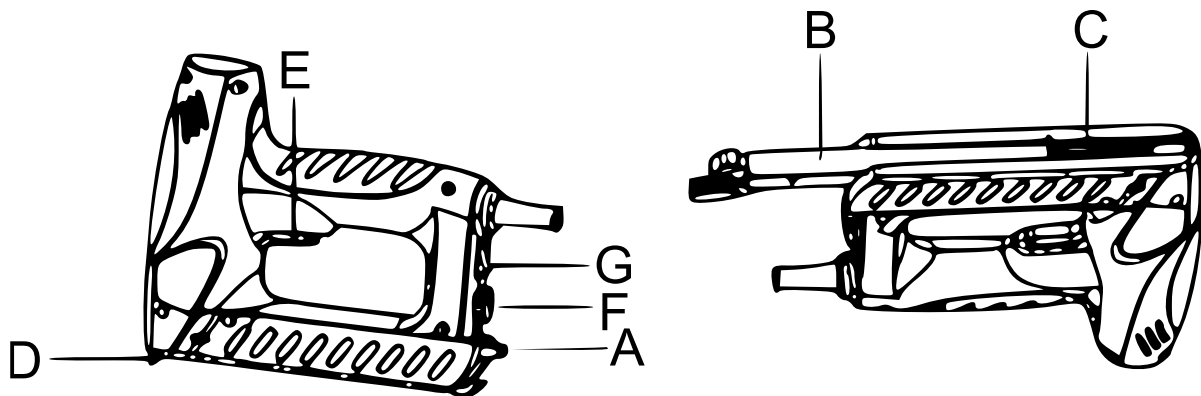
Introduction

Thank you for purchasing this quality product. **To minimise the risk of injury we urge you to take some basic safety precautions when using this device. Please read the operating instructions carefully and make sure you have understood its content.** Keep these operating instructions safe.

General notes

- This tool is used for stapling and nailing of cardboard, insulating materials, fabrics, foils, leather, and similar materials on surfaces of wood or materials like wood.
- Read and understand this manual before using then device and keep it.

Main components



No	Name	No	Name
A	Lever for loading magazine	E	Trigger
B	Slider	F	Impact control selection wheel
C	Magazine	G	On/off switch
D	Staple head		

Safety precautions



Warning! Read all instructions. Failure to follow all instructions listed below may result in electric shock, fire, and/or serious injury. The term “power tool” in all of the warnings listed below refers to a mains operated (corded) power tool or battery operated (cordless) power tool.

Working area safety

- **Keep work area clean and well lit.** Cluttered and dark areas invite accidents.
- **Do not operate power tools in explosive atmospheres, e.g., in the presence of flammable liquids, gases, or dust.** Power tools create sparks which may ignite dust or fumes.
- **Keep children and bystanders away while operating the power tool.** Distractions can cause loss of control.



Electrical safety

- **Power tool plugs must match the outlet. Never modify the plug in any way. Do not use any adapter plugs with earthed power tools.** Unmodified plugs and matching outlets will reduce risk of electric shock.
- **Avoid body contact with earthed or grounded surfaces such as pipes, radiators, and refrigerators.** There is an increased risk of electric shock if your body is earthed.
- **Do not expose power tools to rain or wet conditions.** Water entering a power tool will increase the risk of electric shock.
- **Do not misuse the cord. Never use the cord for carrying, pulling, or unplugging the power tool. Keep the cord away from heat, oil, sharp edges, or moving parts.** Damaged or entangled cords increase the risk of electric shock.

Personal safety

- **Stay alert, concentrate on what you are doing, and use common sense when operating a power tool. Do not use the tool while you are tired or under the influence of drugs, alcohol, or medicine.** A moment of inattention while operating the power tool may result in serious personal injury.
- **Use safety equipment. Always wear eye protection.** Safety equipment such as dust mask, non-slip safety shoes, a hard hat, or hearing protection used for appropriate conditions will reduce personal injuries.
- **Remove any adjusting key or switch/wrench before turning the power tool on.** A wrench or key left attached to a rotating part of the power tool may result in personal injury.
- **Do not overreach. Always keep proper footing and balance.** This enables better control of the power tool in unexpected situations.
- **Dress properly. Do not wear loose clothing or jewellery. Keep your hair, clothing, and gloves away from moving parts.** Loose clothes, jewellery, or long hair can be caught in moving parts.
- **If devices are provided for the connection of dust extraction and collection facilities, ensure that these are connected and properly used.** Use of these devices can reduce dust related hazards.

Power tool use and care

- **Do not force the power tool. Use the correct tool for your application.** The correct power tool will do the job better and safer at the rate for which it was designed.
- **Do not use the power tool if the switch does not turn it on and off.** Any power tool that cannot be controlled with the switch is dangerous and must be repaired.
- **Ensure that the switch is in the off position before making any adjustments, changing equipment, or storing power tools.** These preventive safety measures reduce the risk of the power tool starting accidentally.
- **Store tools out of the reach of children and other untrained people.** Tools are dangerous in the hands of untrained users.
- **Maintain power tools. Check for misalignment or jamming moving parts, damaged parts, and any other conditions that may affect the operation of the power tool. If damaged, the power tool needs to be repaired before use.** Many accidents are caused by poorly maintained power tools.
- **Keep cutting tools sharp and clean.** Properly maintained cutting tools with sharp cutting edges are less likely to jam and are easier to control.
- **Use the power tool, equipment, and tool bits, etc. in accordance with these instructions and in the way intended for the particular type of power tool, taking into account the working conditions and the work to be carried out.** Use of the power tool for operations different from those intended could result in a hazardous situation.



Repair

Have your power tool serviced by a qualified repair person using only original identical replacement parts. This will ensure that the safety of the power tool is maintained. Do not use any damaged tool. Do not repair a tool yourself if you are not qualified to do so.

Safety instructions for staplers

- **Secure the workpiece** (a workpiece clamped with clamping devices or in a vice is held more securely than by hand) to avoid injuries.
- **Never push the stapler head manually** (there is a danger of injury when the trigger is activated unintentionally at the same time).
- **Never use the tool for fastening electrical wiring** (contact with electrical wires can lead to fire and electric shock).
- Avoid damage that can be caused by screws, nails, and other elements in your workpiece; remove them before you start working.
- Always check that the supply voltage is the same as the voltage indicated on the type label of the stapler (staplers with a rating of 230 V or 240 V can also be connected to a 220 V supply).
- In case of electrical or mechanical malfunction, immediately switch off the tool or unplug the charger from the power source.
- Flawless functioning of the tool can only be ensured when original equipment is used.
- This tool should not be used by people under the age of 16. Underage persons and persons with reduced mental or physical abilities should only use this kind of tools while being supervised by a person responsible for their safety.
- Do not expose the tool to rain, wet conditions, or high air humidity.

Use

Loading staples/nails (see fig. 6)

1. Turn the tool upside down.
2. Press the lever **A** while pulling the slider **B** backwards.
3. Insert the staple/nail strip into the magazine **C** with the staple points facing up (max. capacity 100 staples).
4. Push the slider **B** against the stapler head **D** until it locks.
5. When inserting a nail strip (not supplied with the tool), tilt the tool, so that the nail strip rests against the magazine side which corresponds with the nail symbol in the stapler head **D** (see fig. 7).

Operating the tool (see fig. 8)

1. Timely press the stapler head **D** against the workpiece until it is pushed in a few millimetres.
2. Press the trigger **E**, then release it again.
3. The switch **F** is locked, as long as you do not press the stapler head **D** against the workpiece, preventing accidental operation.
4. At 20 ^{shots}/_{min} and after 30 min, the stapler should be allowed to cool down, as it is only rated for short-time use.

Remove all staples/nails from the magazine after each use!

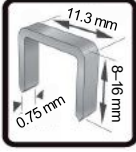

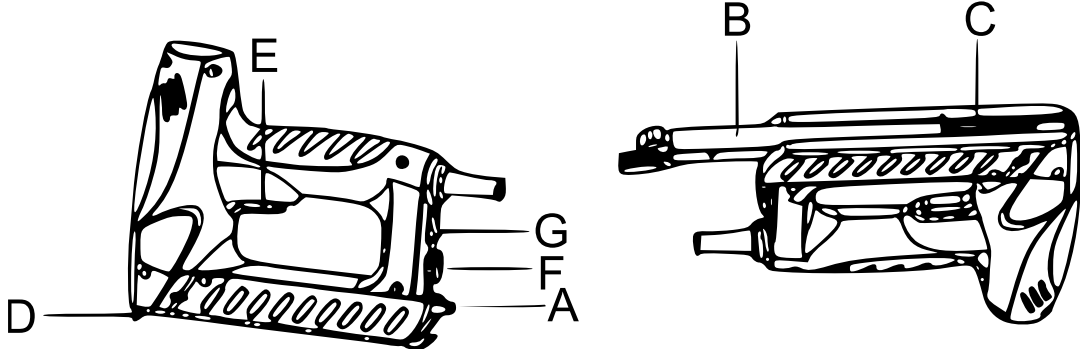
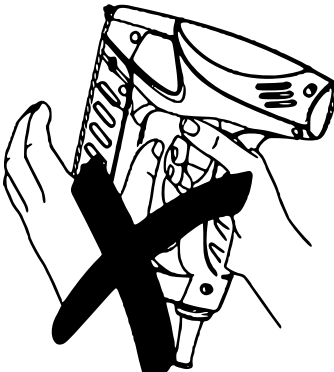
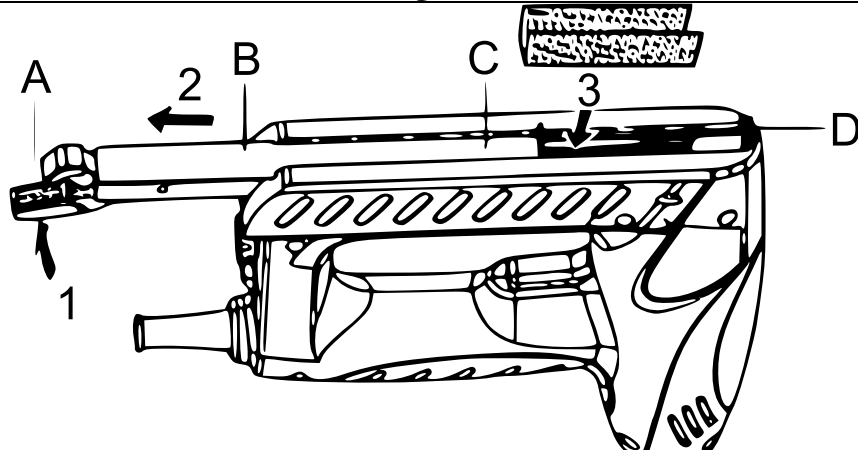
Impact control (see fig. 9)

1. The required impact level can be selected in steps with the wheel **F**.
2. The indicating arrow shows the selected impact level.
3. Use “-” for thin and light materials such as foils and fabrics.
4. Use “+” for thick and tough materials such as hard woods and similar materials.
5. Before starting, find the optimal impact level by testing out on spare material.

Application advice

- Fasten panels (see fig. 10): Do not use the tool for fastening ceiling panels on profiled wood or grooves.
- Fixing textiles (see fig. 11): Avoid blank shots to reduce the wear of the impact strike.
- Keep tool and charger clean. **Unplug charger from power source before cleaning!**
- We cannot be held responsible for any damage caused by normal wear and tear, overload, or improper handling.

Figures and illustrations

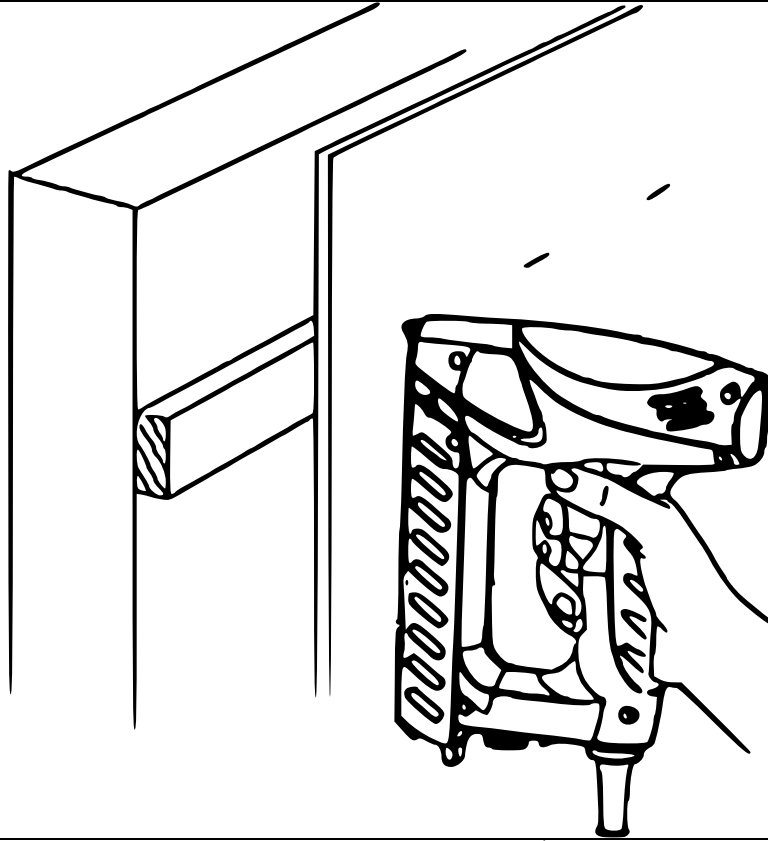
<p>1</p>	<p>220–240 V AC 50 Hz 20 pcs/min Staple: Type 53 Nail: Type 48 1.1 kg</p>	 <p>Type 53</p>	 <p>Type 48</p>
<p>2</p>			
<p>4</p>			
<p>6</p>			



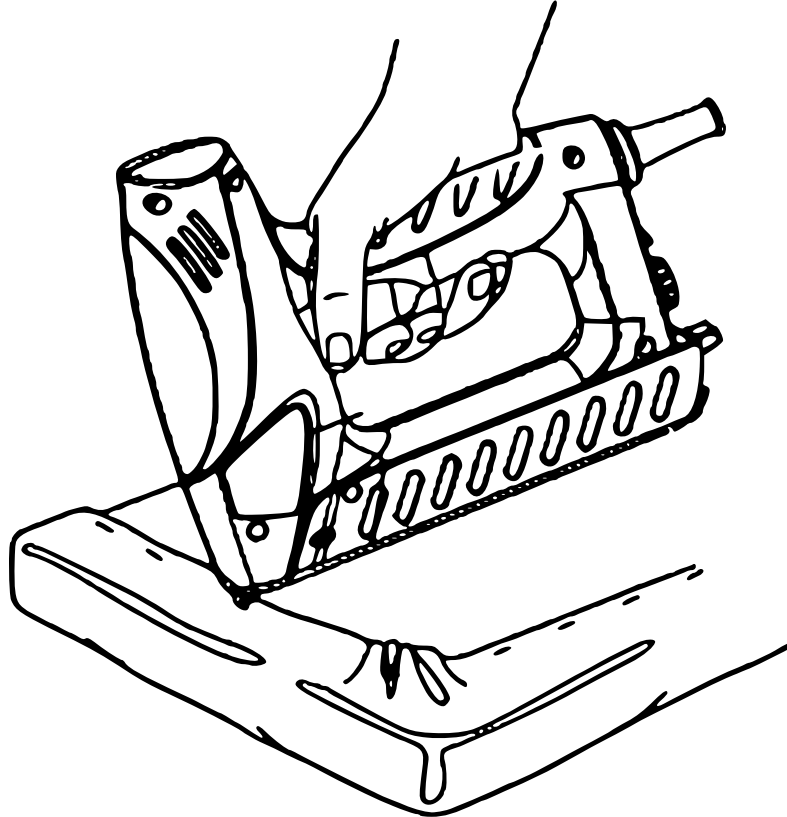
7		
8		
9		



10



11



Disposal regulations

EU guidelines regarding the disposal of scrap electric appliances (WEEE, 2012/19/EU) were implemented in the law related to electrical and electronic equipment and appliances.

All WiTec electric devices that fall under the WEEE regulations are labelled with the crossed-out wheeled waste bin logo. This logo indicates that this electric equipment must not be disposed with the domestic waste.

The company WiTec Technik GmbH has been registered in the German registry EAR under the WEEE-registration number DE45283704.

Disposal of used electrical and electronic appliances (intended for use in the countries of the European Union and other European countries with a separate collection system for these appliances).

The logo on the article or on its packaging points out that this article must not be treated as normal household waste but must be disposed to a recycling collection point for electronic and electrical waste equipment. By contributing to the correct disposal of this article you protect the environment and the health of your fellow men. Environment and health are threatened by inappropriate disposal.



Material recycling helps reduce the consumption of raw materials.

Additional information on recycling this article can be provided by your local community, municipal waste disposal facilities, or the store where you purchased the article.

Address:
WiTec Wildanger Technik GmbH
Königsbenden 12 / 28
D-52249 Eschweiler

Important notice:

The reprint or reproduction, even of excerpts, and any commercial use, even in part, of this instruction manual require the written permission of WiTec Wildanger Technik GmbH.