

# Operation Manual

## Electric Planer 6186g



Illustration similar, may vary depending on model

Read and follow the operating instructions and safety information before using for the first time.

Technical changes reserved!

Due to further developments, illustrations, functioning steps, and technical data can differ insignificantly.

Updating the documentation

If you have suggestions for improvement or have found any irregularities, please contact us.



The information contained in this document may alter at any time without previous notice. It is prohibited to copy or spread any parts of this document in any way without prior written allowance. All rights reserved.

The WilTec Wildanger Technik GmbH cannot be held accountable for any possible mistakes in this operating manual, nor in the diagrams and figures shown.

Even though, the WilTec Wildanger Technik GmbH has undergone biggest possible efforts to ensure that the operating manual is complete, faultless, and up to date, mistakes cannot be entirely avoided.

If you should find a mistake or wish to make a suggestion for improvement, we look forward to hearing from you.

Send an e-mail to:

[service@wiltec.info](mailto:service@wiltec.info)

or use our contact form:

<https://www.wiltec.de/contacts/>

The most recent version of this manual in various languages can be found in our online shop via:

<https://www.wiltec.de/docsearch>

Our postal address is:

WilTec Wildanger Technik GmbH  
Königsbenden 12  
52249 Eschweiler  
Germany

To return orders for exchange, repair, or other purposes, please use the following address. Attention! To allow for a smooth execution of your complaint or return, it is important to contact our customer service team before returning the goods.

Returns Department  
WilTec Wildanger Technik GmbH  
Königsbenden 28  
52249 Eschweiler

E-mail: **service@wiltec.info**

Tel: +49 2403 55592-0

Fax: +49 2403 55592-15

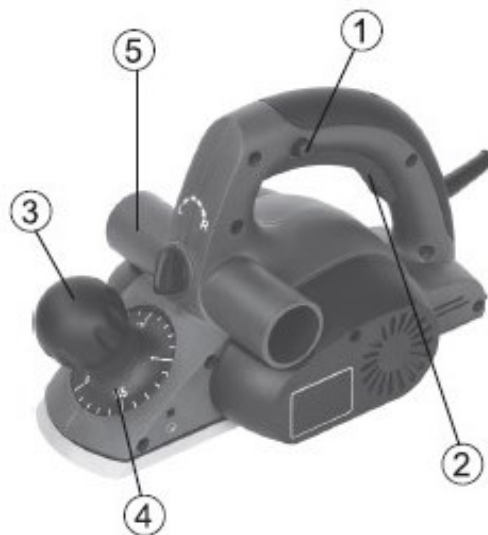
## Introduction

Thank you for purchasing this quality product. **To minimise the risk of injury we urge you to take some basic safety precautions when using this device. Please read the operating instructions carefully and make sure you have understood its content.** Keep these operating instructions safe.

## General notes

This tool is intended for planing wooden materials, e.g., beams and boards, but is also suitable for chamfering edges and rebating.

## Main components



Nº	Name	Nº	Name
1	Safety switch	4	Planing depth indicator
2	On/off switch	5	Dust port
3	Knob for setting planing depth		

## Safety precautions

**Warning! Read all instructions.** Failure to follow all instructions listed below may result in electric shock, fire, and/or serious injury to user and other persons or damage to environment. The machine, having a double insulation in accordance with EN50144, does not require additional earthing.

### *Working area safety*

- **Keep work area clean and well lit.** Cluttered and dark areas invite accidents.
- **Do not operate power tools in explosive atmospheres, e.g., in the presence of flammable liquids, gases, or dust.** Power tools create sparks which may ignite dust or fumes.
- **Keep children and bystanders away while operating the power tool.** Distractions can cause loss of control.



### *Electrical safety*

- **Power tool plugs must match the outlet. Never modify the plug in any way. Do not use any adapter plugs with earthed power tools.** Unmodified plugs and matching outlets will reduce risk of electric shock.
- **Avoid body contact with earthed or grounded surfaces such as pipes, radiators, and refrigerators.** There is an increased risk of electric shock if your body is earthed.
- **Do not expose power tools to rain or wet conditions.** Water entering a power tool will increase the risk of electric shock.
- **Do not misuse the cord. Never use the cord for carrying, pulling, or unplugging the power tool. Keep the cord away from heat, oil, sharp edges, or moving parts.** Damaged or entangled cords increase the risk of electric shock.

### *Personal safety*

- **Stay alert, concentrate on what you are doing, and use common sense when operating a power tool. Do not use the tool while you are tired or under the influence of drugs, alcohol, or medicine.** A moment of inattention while operating the power tool may result in serious personal injury.
- **Use safety equipment. Always wear eye protection.** Safety equipment such as dust mask, non-slip safety shoes, a hard hat, or hearing protection used for appropriate conditions will reduce personal injuries.
- **Remove any adjusting key or switch/wrench before turning the power tool on.** A wrench or key left attached to a rotating part of the power tool may result in personal injury.
- **Do not overreach. Keep proper footing and balance at all times.** This enables better control of the power tool in unexpected situations.
- **Dress properly. Do not wear loose clothing or jewellery. Keep your hair, clothing, and gloves away from moving parts.** Loose clothes, jewellery, or long hair can be caught in moving parts.
- **If devices are provided for the connection of dust extraction and collection facilities, ensure that these are connected and properly used.** Use of these devices can reduce dust related hazards.

### *Power tool use and care*

- **Do not force the power tool. Use the correct tool for your application.** The correct power tool will do the job better and safer at the rate for which it was designed.
- **Do not use the power tool if the switch does not turn it on and off.** Any power tool that cannot be controlled with the switch is dangerous and must be repaired.
- **Ensure that the switch is in the off position before making any adjustments, changing equipment, or storing power tools.** These preventive safety measures reduce the risk of the power tool starting accidentally.
- **Store tools out of the reach of children and other untrained people.** Tools are dangerous in the hands of untrained users.
- **Maintain power tools. Check for misalignment or jamming moving parts, damaged parts, and any other conditions that may affect the operation of the power tool. If damaged, the power tool needs to be repaired before use.** Many accidents are caused by poorly maintained power tools.
- **Keep cutting tools sharp and clean.** Properly maintained cutting tools with sharp cutting edges are less likely to jam and are easier to control.
- **Use the power tool, equipment, and tool bits, etc. in accordance with these instructions and in the way intended for the particular type of power tool, taking into account the working conditions and the work to be carried out.** Use of the power tool for operations different from those intended could result in a hazardous situation.



## Repair

**Have your power tool serviced by a qualified repair person using only original identical replacement parts.** This will ensure that the safety of the power tool is maintained. Do not use any damaged tool. Do not repair a tool yourself if you are not qualified to do so.

### *Safety instructions for electric planers*

- Avoid damage that can be caused by screws, nails, and other elements in your workpiece; remove them before starting working.
- Always make sure to keep the cord away from moving parts of the tool and direct it to the rear of the tool.
- Wait for the cutter block to stop before setting the tool down, as an exposed knife may engage the surface, leading to possible loss of control and serious damage and or injury.
- Only use completely undamaged extension cords with a capacity of 16 A (UK 13 A) and always ensure that you completely unwind them.
- In case of malfunction of any kind, immediately switch off the tool and disconnect the plug.
- A flawless operation of the tool can only be assured if original accessories are used and the product is used in accordance to the guidelines of this manual.
- This tool should not be used by people under the age of 18. 16 years old may only use it if supervised by an authorised adult familiar with the device and this manual.
- Make sure to wear ear protection while using this tool, as the noise level when working can exceed 85 dB (A).
- Wear a dust protection mask when working with materials producing hazardous dust that can potentially be detrimental to your health and always make sure to inform yourself about the materials before working with them.
- If the cord is damaged or severed while working, do not touch the cord and immediately disconnect the plug.
- Never use the tool when the cord is damaged in any way. Do not attempt to fix it and instead have it replaced by a qualified person.
- Always check that the voltage indicated on the type plate of the tool corresponds to the supply voltage (tools with a rating of 230 V or 240 V can also be connected to a 220 V supply).
- If a chip should get jammed in the chip outlet, make sure to turn the motor off, ensure that all moving parts have come to a complete standstill and disconnect the plug; **only then** remove the jammed chip.
- Before using the tool, make sure that the knives do not come into contact with any other part of the device.
- Always keep your fingers away from the blades while they are moving.
- Always disconnect the device from its power source before making any adjustment or changing accessories.
- If for any reason the old plug is cut off the cord of this tool, it must be disposed of safely. Only professional technicians are allowed to replace it with a new one.

## Maintenance

- Make sure that the machine is not connected to the voltage supply when performing maintenance work on the motor.
- The design of our machines ensures a long service time without problems and with very little maintenance to do. However, you will help your machine by regularly cleaning its housing with a soft cloth, preferably after each use. Keep the ventilation slots free from dust and dirt. If dirt does not come off, use a soft cloth moistened with soapy water. Never use solvents, e.g., petrol, alcohol, or ammonia water, as these may damage the plastic parts.
- The machine requires no additional lubrication. Should the device malfunction and you require spare parts, please contact the manufacturer.

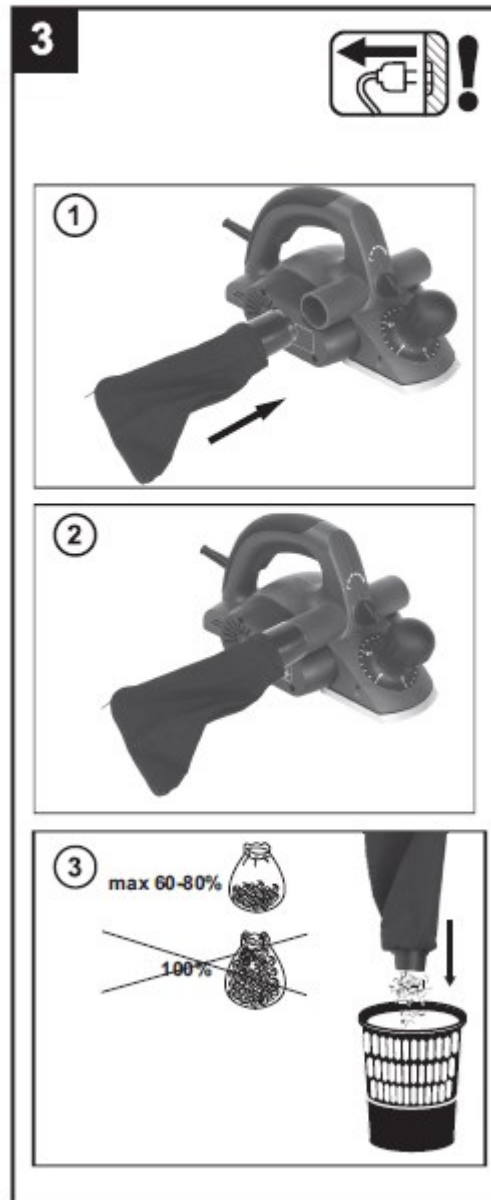
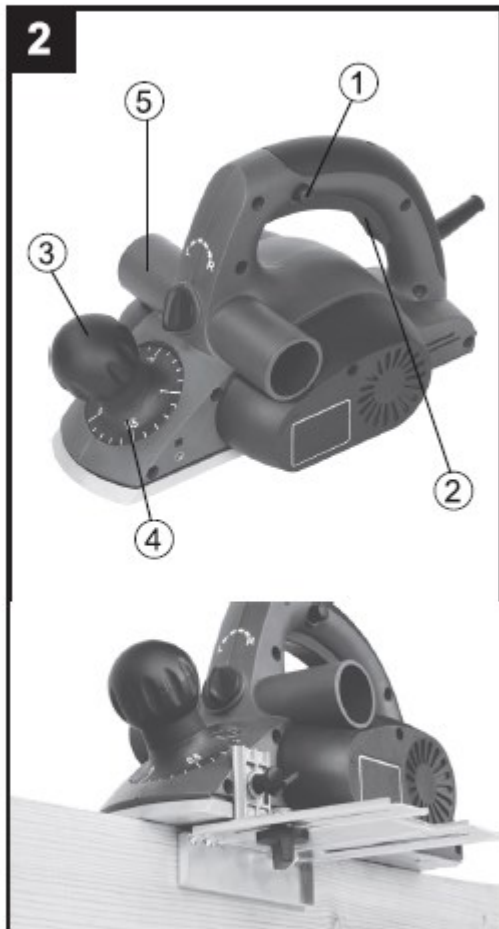
**Technical specifications**

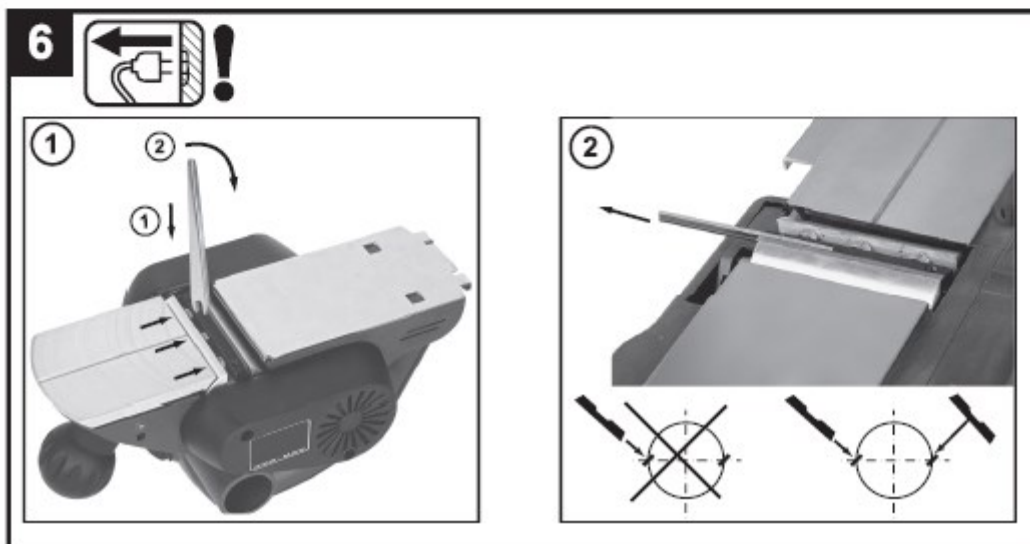
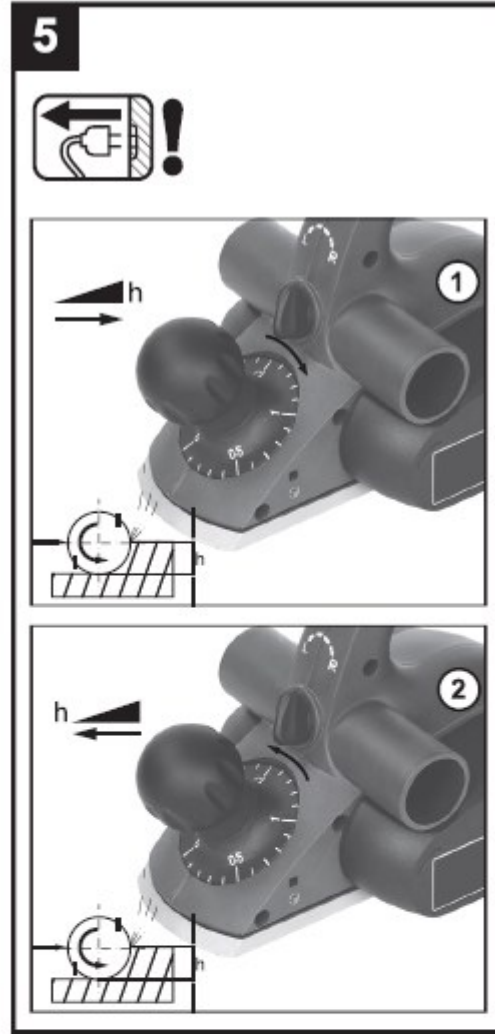
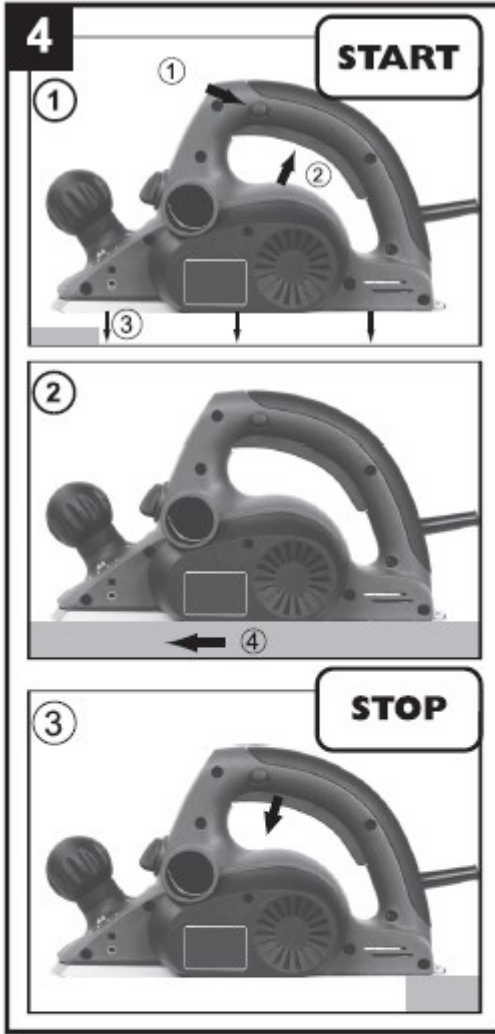
<b>Power supply</b>	230 V, 50 Hz
<b>Power consumption (W)</b>	750
<b>Size (mm)</b>	170 × 355 × 190
<b>Planing width (mm)</b>	82
<b>Chip depth (mm)</b>	2
<b>Rebate depth (mm)</b>	15
<b>Cable length (m)</b>	3
<b>Weight (kg)</b>	3-5

Figures and illustrations

**1**

230 V 50 Hz	650W	16500 min <sup>-1</sup>	0-2.0 mm	82 mm	0-7.0 mm	3.0 kg







## Disposal regulations

EU guidelines regarding the disposal of scrap electric appliances (WEEE, 2012/19/EU) were implemented in the law related to electrical and electronic equipment and appliances.

All WiTec electric devices that fall under the WEEE regulations are labelled with the crossed-out wheeled waste bin logo. This logo indicates that this electric equipment must not be disposed with the domestic waste.

The company WiTec Technik GmbH has been registered in the German registry EAR under the WEEE-registration number DE45283704.

Disposal of used electrical and electronic appliances (intended for use in the countries of the European Union and other European countries with a separate collection system for these appliances).

The logo on the article or on its packaging points out that this article must not be treated as normal household waste but must be disposed to a recycling collection point for electronic and electrical waste equipment. By contributing to the correct disposal of this article you protect the environment and the health of your fellow men. Environment and health are threatened by inappropriate disposal.



Material recycling helps reduce the consumption of raw materials.

Additional information on recycling this article can be provided by your local community, municipal waste disposal facilities, or the store where you purchased the article.

Address:  
WiTec Wildanger Technik GmbH  
Königsbenden 12 / 28  
D-52249 Eschweiler

Important notice:

The reprint or reproduction, even of excerpts, and any commercial use, even in part, of this instruction manual require the written permission of WiTec Wildanger Technik GmbH.