

Operation Manual

Stainless Steel Stone Fruit Mill

61904

toboli



Illustration similar, may vary depending on model

Read and follow the operating instructions and safety information before using for the first time.

Technical changes reserved!

Due to further developments, illustrations, functioning steps, and technical data can differ insignificantly.

Updating the documentation

If you have suggestions for improvement or have found any irregularities, please contact us.



The information contained in this document may alter at any time without previous notice. It is prohibited to copy or spread any parts of this document in any way without prior written allowance. All rights reserved.

The WilTec Wildanger Technik GmbH cannot be held accountable for any possible mistakes in this operating manual, nor in the diagrams and figures shown.

Even though, the WilTec Wildanger Technik GmbH has undergone biggest possible efforts to ensure that the operating manual is complete, faultless, and up to date, mistakes cannot be entirely avoided.

If you should find a mistake or wish to make a suggestion for improvement, we look forward to hearing from you.

Send an e-mail to:

service@wiltec.info

or use our contact form:

<https://www.wiltec.de/contacts/>

The most recent version of this manual in various languages can be found in our online shop via:

<https://www.wiltec.de/docsearch>

Our postal address is:

WilTec Wildanger Technik GmbH
Königsbenden 12
52249 Eschweiler
Germany

To return orders for exchange, repair, or other purposes, please use the following address. Attention! To allow for a smooth execution of your complaint or return, it is important to contact our customer service team before returning the goods.

Returns Department
WilTec Wildanger Technik GmbH
Königsbenden 28
52249 Eschweiler

E-mail: **service@wiltec.info**

Tel: +49 2403 55592-0

Fax: +49 2403 55592-15



Introduction

Thank you for purchasing this quality product. **To minimise the risk of injury we urge that our clients take some basic safety precautions when using this device. Please read the operation instructions carefully and make sure you have understood its content.**

Keep these operation instructions safe.

Safety instructions

- Read the instructions carefully. Be familiar with the controls and the proper use of the fruit mill.
- The signal words “Warning” and “Danger” require your full attention. If the instructions for the described circumstances are not observed, this can lead to serious injuries.
- Wear full face protection.
- Wear hearing protection and safety glasses.
- Wear safety gloves.
- Always keep other people, such as children or bystanders, away from your immediate work area, especially when you are operating the machine. Children should not be in the immediate work area.
- Do not use the fruit mill in the vicinity of spectators. The operator or user are responsible for accidents and hazards in which other people or property are involved or damaged.
- Never allow children or people without sufficient knowledge of the operation of the device to operate the fruit mill.
- The minimum age of the user of the mill can differ from place to place.
- Never use power tools in damp or wet surroundings and never expose them to rain.
- Switching off: Remove the power plug from the mains supply before you make any changes, clean the device, if the cables are caught or if you leave the fruit mill unattended.
- Never put your hands in the funnel; there are rotating blades inside.
- Make sure that your hands, clothing, or other parts of the body do not come into contact with the inlet and outlet opening or other moving parts.
- Avoid loose clothing.
- Only use the fruit mill on a firm and level surface.
- Make sure that all screws, nuts, bolts, and other fastenings are properly secured and that all protective devices and instructions are in the correct place before operating the fruit mill.
- Replace damaged and illegible warning and operating instructions.
- Make sure that the filling chamber is empty before you start the fruit mill. Keep your face and body away from the opening. Make sure that you have a secure and firm footing. Do not over-estimate yourself. Never stand above the bottom of the fruit mill while filling it with fruit.
- Keep your distance from the exit area while you operate the fruit mill.
- When adding material to the fruit mill, make sure that there are no pieces of metal, stones, bottles, cans, or other foreign objects inside the material.
- Remove the plug from the socket:
 - whenever you leave or transport the fruit mill;
 - before clearing a blockage;
 - before checking, cleaning, or working on the fruit mill;
 - after striking a foreign object; inspect the fruit mill for damage and make repairs as necessary;
 - if the fruit mill starts to vibrate abnormally or makes any unusual noise – immediately check the device in this case.
- If the cutting mechanism strikes any foreign objects or if the fruit mill should start making any unusual noise or vibration:
 - immediately inspect for damage;
 - replace or repair any damaged parts;
 - check for and tighten any loose parts.

Caution: Do not attempt to repair the fruit mill unless you are competent to do so. Do not allow processed material to build up in the discharge area; this may prevent proper discharge and can result in kickback of material through the feed opening.

Electric safety

- Connect the mains lead to a standard 230 V (50 Hz) electrical supply via a plug sufficiently fused.
- A severed plug must be disposed of to avoid a possible shock hazard, and should never be inserted into another socket.
- Your fruit mill is double insulated for safety and requires no earth connection.
- The operating voltage is 230 V AC, 50 Hz.
- The cable used must be 2-core double insulated with a cross section of 3×1.0 mm².
- If you are not sure, please consult an electrician or your local dealer.

Operation

1. With the machine standing on a firm and level ground, standing on a board, if necessary, plug the machine into the mains supply via a residual current device (RCD).
2. Place a collecting container such as a barrel or a box below the outlet port to collect crushed fruit.
3. Then start the machine by pressing the ON/OFF rocker switch to ON. When the machine is running at full speed, proceed to feed material into the hopper, **DO NOT** force it.
4. Please start machine **FIRST**, and feed fruit after machine start running. This is very **IMPORTANT!**

Caution:

- The cutter blades will pull the material into the machine.
- **NEVER** push material into the hopper with your hands.
- The material must be of a size to easily enter the holes in the hopper.

Important!

- Should the machine become clogged and stop delivering chippings, immediately switch it OFF and disconnect it from the mains supply.
- Using industrial quality gloves remove any material in the chute. Take great care to avoid contact with the cutter blades – use a stick if necessary.
- Ensure that the cover is properly secured before plugging into the mains supply and restarting.

Cleaning and Maintenance

Cleaning

1. Remove the nuts (**2**) from the main body (**1**).
2. Discharge the main body (**1**) and clean it.
3. Remove the rotating plate from the cutter plate and take the cutter plate (**10**) from the base plate (**15**); clean it.



Caution:

- Take great care to avoid contact with the cutting blades to cause hurting when cleaning.



- **ALWAYS** ensure that the machine is switched OFF and disconnected from the mains supply before carrying out any cleaning operations.

Reassemble the fruit mill in reverse order.

Maintenance

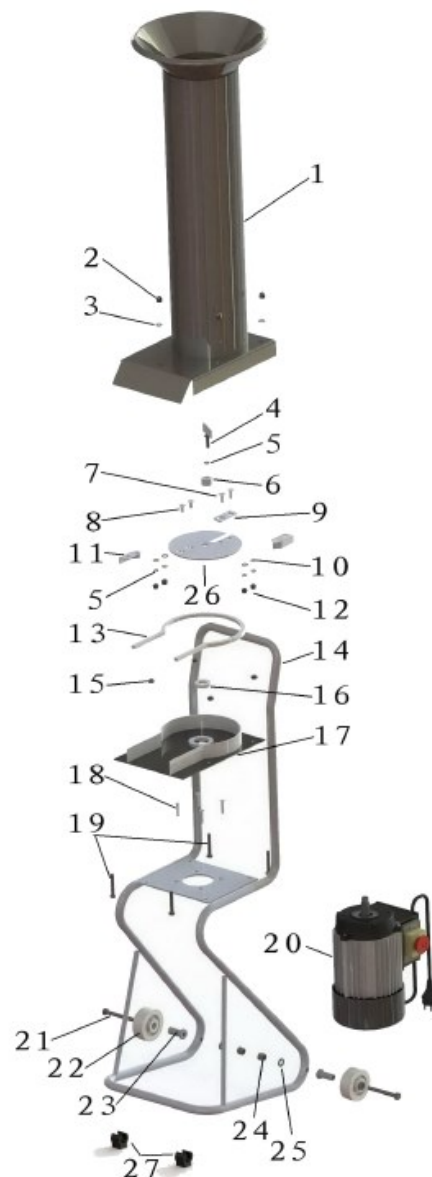
- Make sure that the machine remains rust-free. Rust can form, e.g., from the malic acid present in apple juice. You should therefore dry the machine after cleaning to prevent rust from forming.
- Apply anti-rust oil to all surfaces to prevent rust from forming if the device is not used for a long period of time.

Technical data

Input tension (V)		230
Frequency (Hz)		50
Power (W)		1100
Rotation speed (l/min)		2800
Protection class		IP44 (splash water protected)
Crushing performance ($kg\ fruit/h$)		1000
Weight (kg)		25
Size (mm)	Product	460 × 400 × 1270
	Hopper	810 × ø170
	Blades	66 × 30 × 4
Cable length (m)		1.6

Parts list and exploded view

No	Name
1	Hopper
2	Cap nut M8
3	Flat washer $\varnothing 8$
4	Rotating plate
5	Spring washer $\varnothing 8$
6	Blade bushing
7	Inside-hex countersunk head screw M8 \times 16
8	Inside-hex countersunk head screw M8 \times 20
9	Blade
10	Stainless steel flat washer $\varnothing 8$
11	Cover plate
12	Lock nut M8
13	Seal
14	Frame stand
15	Regular nut M8
16	Oil seal
17	Bottom plate
18	Crossing countersunk head screw M6 \times 20
19	Outside hex bolt M8 \times 50
20	Motor
21	Outside hex bolt M10 \times 80
22	Wheel
23	Wheel shaft
24	Lock nut M10
25	Flat washer $\varnothing 10$
26	Blade plate
27	Foot block



Disposal regulations

EU guidelines regarding the disposal of scrap electric appliances (WEEE, 2012/19/EU) were implemented in the law related to electrical and electronic equipment and appliances.

All WiITec electric devices that fall under the WEEE regulations are labelled with the crossed-out wheeled waste bin logo. This logo indicates that this electric equipment must not be disposed with the domestic waste.

The company WiITec Technik GmbH has been registered in the German registry EAR under the WEEE-registration number DE45283704.

Disposal of used electrical and electronic appliances (intended for use in the countries of the European Union and other European countries with a separate collection system for these appliances).

The logo on the article or on its packaging points out that this article must not be treated as normal household waste but must be disposed to a recycling collection point for electronic and electrical waste equipment. By contributing to the correct disposal of this article you protect the environment and the health of your fellow men. Environment and health are threatened by inappropriate disposal.



Material recycling helps reduce the consumption of raw materials.

Additional information on recycling this article can be provided by your local community, municipal waste disposal facilities, or the store where you purchased the article.

Address:
WiITec Wildanger Technik GmbH
Königsbenden 12 / 28
D-52249 Eschweiler

Important notice:

The reprint or reproduction, even of excerpts, and any commercial use, even in part, of this instruction manual require the written permission of WiITec Wildanger Technik GmbH.