

# Operation Manual

## Serving Trolley

61905, 61906



Illustration similar, may vary depending on model

Read and follow the operating instructions and safety information before using for the first time.

Technical changes reserved!

Due to further developments, illustrations, functioning steps, and technical data can differ insignificantly.

Updating the documentation

If you have suggestions for improvement or have found any irregularities, please contact us.



The information contained in this document may alter at any time without previous notice. It is prohibited to copy or spread any parts of this document in any way without prior written allowance. All rights reserved.

The WilTec Wildanger Technik GmbH cannot be held accountable for any possible mistakes in this operating manual, nor in the diagrams and figures shown.

Even though, the WilTec Wildanger Technik GmbH has undergone biggest possible efforts to ensure that the operating manual is complete, faultless, and up to date, mistakes cannot be entirely avoided.

If you should find a mistake or wish to make a suggestion for improvement, we look forward to hearing from you.

Send an e-mail to:

[service@wiltec.info](mailto:service@wiltec.info)

or use our contact form:

<https://www.wiltec.de/contacts/>

The most recent version of this manual in various languages can be found in our online shop via:

<https://www.wiltec.de/docsearch>

Our postal address is:

WilTec Wildanger Technik GmbH  
Königsbenden 12  
52249 Eschweiler  
Germany

To return orders for exchange, repair, or other purposes, please use the following address. Attention! To allow for a smooth execution of your complaint or return, it is important to contact our customer service team before returning the goods.

Returns Department  
WilTec Wildanger Technik GmbH  
Königsbenden 28  
52249 Eschweiler

E-mail: **service@wiltec.info**

Tel: +49 2403 55592-0

Fax: +49 2403 55592-15

## Introduction

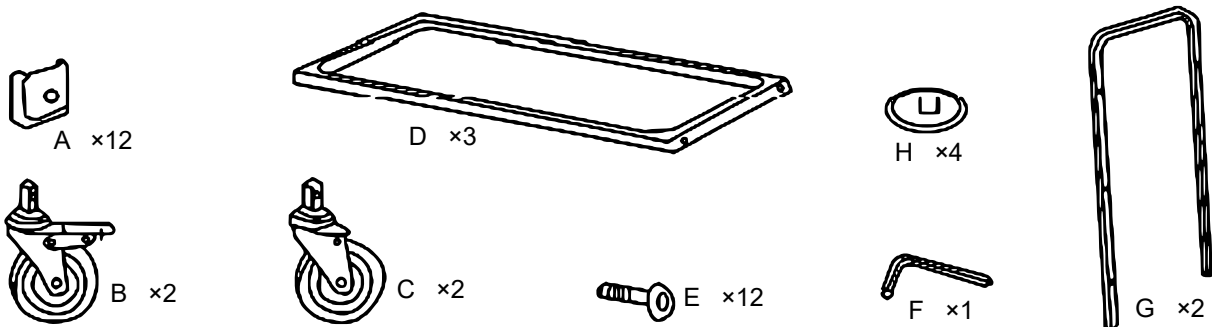
Thank you for purchasing this quality product. **To minimise the risk of injury we urge that our clients take some basic safety precautions when using this device. Please read the operation instructions carefully and make sure you have understood its content.**

Keep these operation instructions safe.

## Safety instructions

- Only use the trolley when it is in perfect condition.
- Use the trolley only for its intended purpose and in accordance with all the instructions in the user manual.
- Check the trolley for damage and defects before each use. Do not continue to use the trolley if it is damaged or defective.
- Check the trolley regularly for any defects (e.g., loose screws) and rectify them immediately.
- Do not make any modifications to the trolley. The trolley is intended for manual transport purposes only. Mechanical support is not intended and can lead to material damage and/or personal injury.
- Release the parking brakes before transport. Transport with the brakes locked can damage the chassis.
- Only use the trolley on level ground. Transporting on uneven ground or stairs can cause damage.
- Secure the trolley on sloping ground using the parking brakes.
- The trolley must never be braked using the parking brakes.
- Always watch out for people in the way when transporting the trolley.
- Always hold the trolley by the push bar during transport.
- Do not take your hands off the push bar during transport.
- Only move the trolley at walking speed.

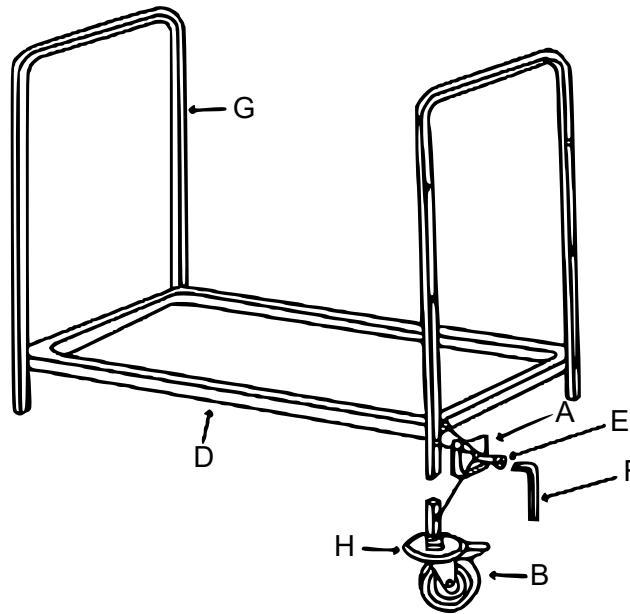
## Parts list



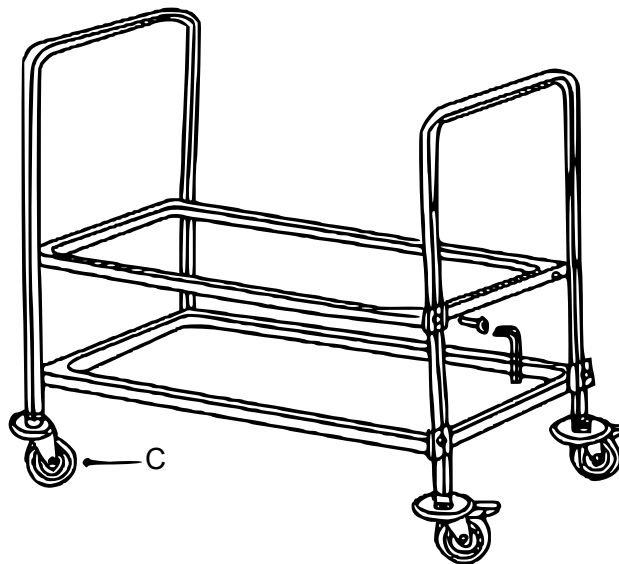
## Assembly

### Step 1

Make sure that the holes of the castors, shelves, and frame point in the same direction before screwing them together.



### Step 2





### Step 3

Complete the assembly.



### Cleaning

- Clean the trolley with a soft cleaning cloth or uncoated sponge and standard kitchen soapy water.
- Use grease-dissolving cleaning agents that are approved for the food industry.
- Do not use high-pressure cleaners, chlorinated, or abrasive cleaning agents, steel sponges, or other sharp-edged objects for cleaning.

### Important notice:

The reprint or reproduction, even of excerpts, and any commercial use, even in part, of this instruction manual require the written permission of WilTec Wildanger Technik GmbH.