

Operation Manual

Table Saw

61935, 61936



Illustration similar, may vary depending on model

Read and follow the operating instructions and safety information before using for the first time.

Technical changes reserved!

Due to further developments, illustrations, functioning steps, and technical data can differ insignificantly.

Updating the documentation

If you have suggestions for improvement or have found any irregularities, please contact us.



The information contained in this document may alter at any time without previous notice. It is prohibited to copy or spread any parts of this document in any way without prior written allowance. All rights reserved.

The WilTec Wildanger Technik GmbH cannot be held accountable for any possible mistakes in this operating manual, nor in the diagrams and figures shown.

Even though, the WilTec Wildanger Technik GmbH has undergone biggest possible efforts to ensure that the operating manual is complete, faultless, and up to date, mistakes cannot be entirely avoided.

If you should find a mistake or wish to make a suggestion for improvement, we look forward to hearing from you.

Send an e-mail to:

service@wiltec.info

or use our contact form:

<https://www.wiltec.de/contacts/>

The most recent version of this manual in various languages can be found in our online shop via:

<https://www.wiltec.de/docsearch>

Our postal address is:

WilTec Wildanger Technik GmbH
Königsbenden 12
52249 Eschweiler
Germany

To return orders for exchange, repair, or other purposes, please use the following address. Attention! To allow for a smooth execution of your complaint or return, it is important to contact our customer service team before returning the goods.

Returns Department
WilTec Wildanger Technik GmbH
Königsbenden 28
52249 Eschweiler

E-mail: **service@wiltec.info**

Tel: +49 2403 55592-0

Fax: +49 2403 55592-15



Introduction

Thank you for purchasing this quality product. **To minimise the risk of injury we urge that our clients take some basic safety precautions when using this device. Please read the operation instructions carefully and make sure you have understood its content.**

Keep these operation instructions safe.

Only use the device after you have carefully read and understood the operating instructions. Observe all safety instructions in this manual. Behave responsibly towards other persons. If there is any doubt about the connection and operation of the device, please contact the customer service of the manufacturer or an authorised service partner.

Intended use

- The circular table saw may only be used for sawing wood and wood products. This device may only be used for its intended purpose. The manufacturer cannot be held responsible for any damage resulting from non-compliance with the requirements of the general regulations and the provisions of these instructions.
- **Work pieces with a round or irregular cross-section (e.g., firewood) must not be sawn, as they cannot be held securely during sawing.**

Operator requirements

- The operator must have carefully read and completely understood the operating instructions before using the device. As the use of the device can be very dangerous if it is handled incorrectly, only qualified personnel may be allowed to use it.
- The operator must be adequately trained in the setting, operation, and use of the machinery.
- **Qualification:** Apart from a detailed instruction by a competent person, no special qualification for the use of the device is necessary.
- **Minimum age:** The unit may only be operated by persons who have reached the age of 18. An exception is the use as a young person, if the use during a professional training to achieve certain technical skills under strict supervision of an instructor.
- **Training:** The use of the device only requires appropriate instruction by a competent person or the operating instructions. The operator is responsible for accidents or hazards to third parties.

Technical data

Item number		61935	61936
Intake voltage (V)		230	
Frequency (Hz)		50	
Nominal power consumption (W)		800	600
Idle speed (1/min)		2950	
Saw blade diameter × drill hole diameter (mm)		200 × 16	
Riving knife size (mm)		2.2	
Max. cutting depth (mm)	90°	45	
	45°	27	
Weight (kg)		9.9	10.5
Sound pressure level L _{pA} (dB (A)) ⁽¹⁾		97	



Sound power level L_{WA} (dB (A)) ⁽¹⁾	110 (Wear hearing protection!)
Value of vibration emission a_h (m/s^2) ⁽²⁾	<2.5
Protection class	II

(1) Measured according to EN 61029, inaccuracy K=3 dB (A)

(2) Measured according to EN 61029

Warning:

- The actual vibration emission value may differ from the indicated value depending on the method of application.
- The vibration level can be used to compare power tools with each other. It is also suitable for a preliminary assessment of the vibration load. For an accurate estimation of the vibration load, the times when the device is switched off or running but not in actual use should also be considered. This can significantly reduce the vibration load over the entire working period.
- Establish additional safety measures to protect the operator from the effects of vibrations such as maintenance of power tools and tools for use, keeping hands warm, organisation of work procedures.

Residual risks

Risk of injury! Never bring your hands into the saw blade area. Despite compliance with all relevant construction regulations, there may still be hazards when operating the machine, e.g., due to

- parts of the workpiece ejected,
- parts of damaged tools ejected,
- noise emission,
- wood dust emission.

Emergency behaviour

- Take first aid measures appropriate to the injury and call for qualified medical attention as soon as possible.
- Protect the injured person from further damage and calm him down.
- In the event of an accident, a first aid kit in accordance with DIN 13164 should always be at hand at the workplace. Any material removed from the first aid kit must be refilled immediately.
- When you request help, please provide the following information:
 - place of the accident (**WHERE?**),
 - type of accident (**WHAT?**),
 - number of injured (**HOW MANY?**),
 - Nature of injuries (**HOW?**).

General safety instructions

Caution:

- **Read all safety instructions and operating instructions.** Failure to observe the safety instructions may result in electric shock, fire, and/or serious injury.
- **Keep all safety instructions and instructions for the future.** The term “power tool” used in the safety instructions refers to mains-operated power tools (with cable) and battery-powered power tools (without cable).

Workplace safety

- **Keep your work area clean and well lit.** Disorder or unlit work areas can lead to accidents.



- **Do not work with the power tool in a potentially explosive environment containing flammable liquids, gases, or dusts.** Power tools produce sparks that can ignite the dust or vapours.
- **Keep children and other persons away while using the electric tool.** If you are distracted, you may lose control of the device.

Electric safety

- **The connector plug of the power tool must fit into the socket.** The plug must not be changed in any way. Do not use adapter plugs together with earthed power tools. Unchanged plugs and matching sockets reduce the risk of electric shock.
- **Avoid physical contact with earthed surfaces such as pipes, heaters, stoves, and refrigerators.** There is an increased risk of electric shock if your body is grounded.
- **Keep power tools away from rain and moisture.** Penetration of water into a power tool increases the risk of electric shock.
- **Do not misuse the cable to carry, hang, or disconnect the power tool. Keep the cable away from heat, oil, sharp edges, or moving parts.** Damaged or wrapped cables increase the risk of electric shock.
- **When working with an outdoor power tool, use only extension cables that are suitable for outdoor use.** Using an extension cord suitable for outdoor use will reduce the risk of electric shock. Use an extension cord only when fully unwound.
- **If operation of a power tool in a humid environment is unavoidable, use a residual current circuit breaker.** The use of a residual current circuit breaker reduces the risk of electric shock.

Personal safety

- **Be attentive and always pay attention to what you are doing and go to work with a power tool with common sense.** Do not use electric tools if you are tired or under the influence of drugs, alcohol, or medicine. A moment of carelessness when using the power tool can lead to serious injury.
- **Always wear personal protective equipment and safety glasses.** Wearing personal protective equipment such as a dust mask, non-slip safety shoes, safety helmet or ear protection, depending on the type and use of the power tool, will reduce the risk of injury.
- **Avoid unintentional commissioning.** Make sure the power tool is turned off before connecting, picking up or carrying it to the power supply and/or battery. If you have your finger on the switch when carrying the power tool or if you connect the unit to the power supply switched on, this may lead to accidents.
- **Remove adjustment tools or wrenches before turning on the power tool.** Tools or wrenches located in a rotating part of the unit may cause injury.
- **Avoid abnormal posture. Make sure that you stand securely and always keep your balance.** This will allow you to control the tool better in unexpected situations.
- **Wear suitable clothing.** Do not wear loose clothing or jewellery. Keep hair, clothing, and gloves away from moving parts. Loose clothing, jewellery or long hair may be caught by moving parts.
- **If dust extraction and collection devices can be installed, make sure that they are connected and used correctly.** Using a dust extractor may reduce dust hazards.

Safe use and handling of the power tool

- **Do not overload the device. Use the appropriate power tool for your work.** With the appropriate power tool, you will work better and safer in the specified power range.
- **Do not use any power tool with a defective switch.** A power tool that can no longer be switched on and off is dangerous and must be repaired.
- **Unplug and/or remove the battery before making any adjustments, changing any accessories, or putting the unit away.** This precaution prevents the power tool from accidentally starting.
- **Keep unused power tools out of the reach of children. Do not allow anyone to use the unit who is not familiar with it or has not read these instructions.** Power tools are dangerous when used by inexperienced persons.
- **Carefully maintain power tools. Check that moving parts function correctly and do not jam, that parts are broken or damaged in such a way that the function of the power tool**



is impaired. **Damaged parts must be repaired before using the unit again.** Many accidents are caused by poorly maintained power tools.

- **Keep cutting tools sharp and clean.** Carefully maintained cutting tools with sharp cutting edges jam less and are easier to guide.
- **Use power tools, accessories, insert tools, etc. according to the instructions. Consider the working conditions and the activity to be performed.** The use of power tools for applications other than those for which they are intended can lead to dangerous situations.

Service

Have your power tool repaired only by qualified personnel and only with original spare parts. Alternatively, contact the manufacturer or an authorised service partner. This ensures that the safety of the electric tool is maintained.

Safety instructions concerning the circular table saw

Operation is only permitted with a residual current circuit breaker (RCD, max. residual current 30 mA).

- Wear hearing protection. Noise exposure can cause hearing loss.
- Wear gloves when handling saw blades and rough materials.
- Dust generated during work is often harmful to health and should not penetrate the body. Use a dust extractor and wear a suitable dust mask. Thoroughly remove deposited dust.
- Before each use, check the device, connection cable, extension cable and plug for damage and ageing. Have damaged parts repaired by a specialist before using them again.
- **NEVER** use the device without the protective device of the machine.
- For safe working use devices such as protective and pressure equipment, stop plate, feed slide, etc.!
- Faults in the machine, including the protective device or the saw blades, must be reported as soon as they are detected and rectified immediately.
- Circular saws must not be used for slitting, e.g., to finish a groove in the workpiece.
- Folding or grooving is only permitted with a suitable protective device, e.g., a tunnel protective device above the sawing table.
- Support large panels to reduce the risk of kickback from a jamming saw blade. Large panels can bend under their own weight. Panels must be supported on both sides, both near the saw gap and at the edge.
- Do not remove chips or splinters while the machine is running.
- Worn table liners must be replaced in good time.
- Do not use saw blades that are damaged or deformed.
- The base body of the saw blade must not be thicker and the set must not be smaller than the thickness of the riving knife. The riving knife must not be removed.
- Always select a saw blade suitable for the material to be cut.
- Saw blades that do not correspond to the characteristics in these instructions for use must not be used.
- Do not use tools that comply with EN 847-1.
- Saw blades made of high-speed steel must not be used.
- The tools must be transported and stored in a suitable container.
- The maximum speed indicated on the saw blade must be maintained.
- The circular table saw may only be transported with the transport lock on the handle engaged.
- The upper protective hood must not be used as a handle for transportation.
- During transport of the machine, the upper protective hood must cover the upper part of the saw.
- To minimise noise, the tool must be sharpened and all noise reduction elements (covers, etc.) must be properly adjusted.



Maintenance

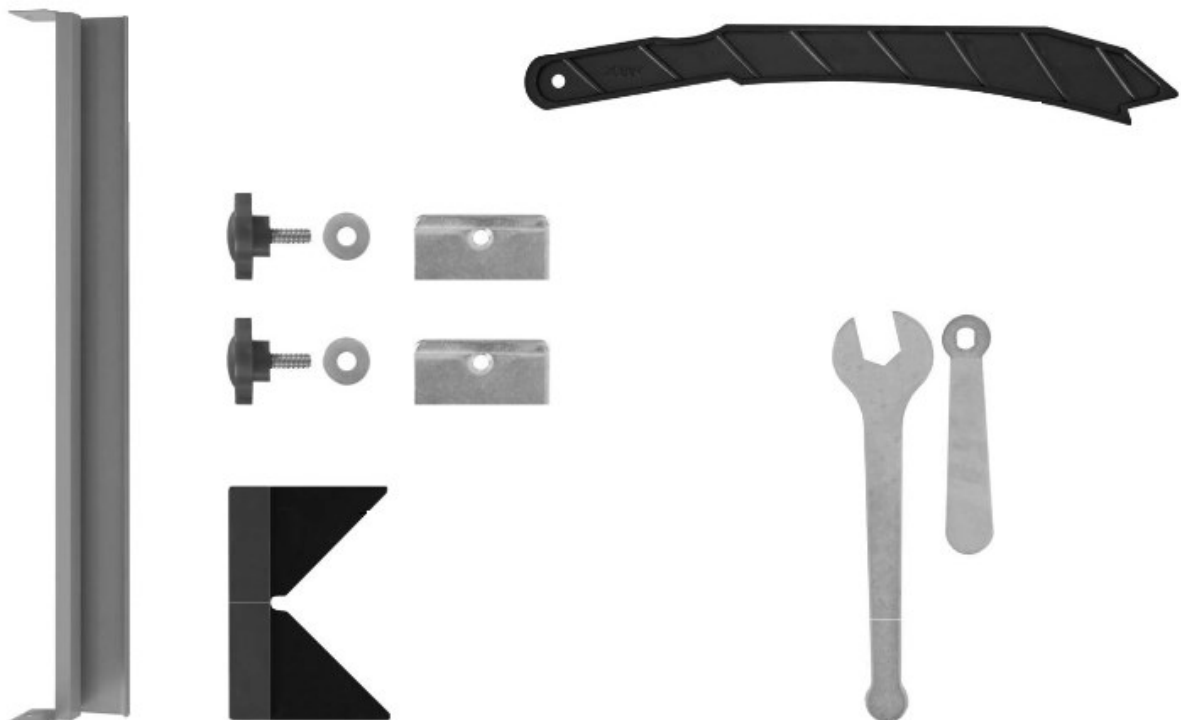
The plug must ALWAYS be disconnected from the socket before carrying out any work on the device!

- Always perform a visual inspection before use to determine if the equipment, and in particular the power cord and plug, are damaged.
- The device must not be used if it is damaged or the safety devices are defective.
- If the device is defective, the repair must be carried out exclusively by the manufacturer's customer service or by an authorised service partner. Only original accessories and original spare parts may be used.
- Only a regularly maintained and well-maintained device can be a satisfactory aid. Defects in maintenance and care can lead to unforeseeable accidents and injuries.
- The machine and in particular the ventilation slots must always be kept clean. Acidify the chip ejection and/or dust extraction regularly.
- Treat all moving parts with an environmentally friendly oil.

Inspection after receipt

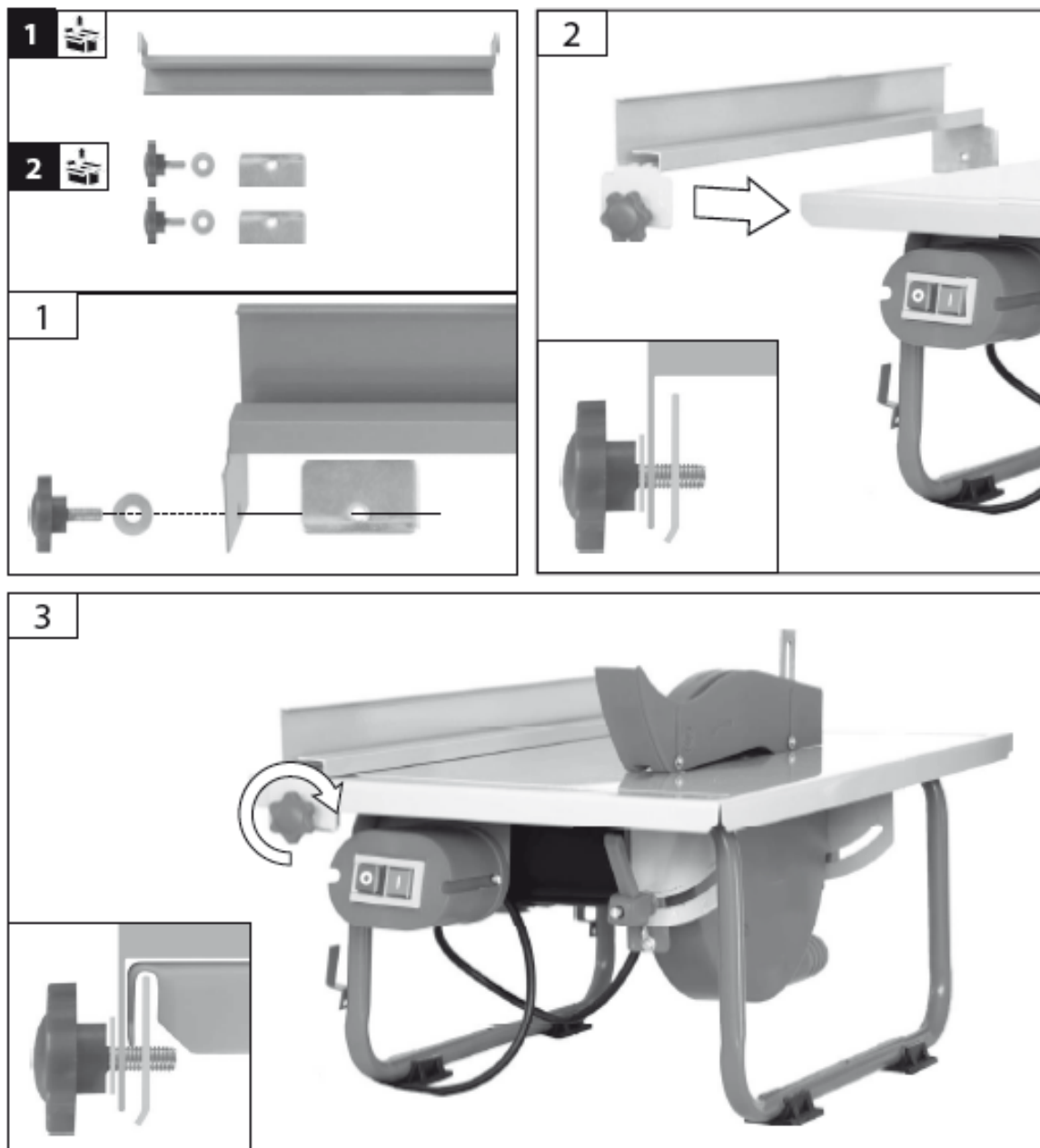
The machine is supplied with accessories. Please check the unit and accessories for completeness and do not put the unit into operation until it has been properly and completely assembled. In case of missing or defective parts, contact the manufacturer or an authorised service partner.

Scope of delivery

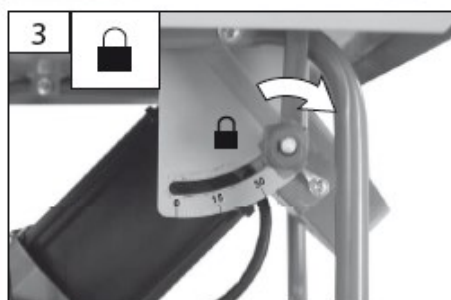
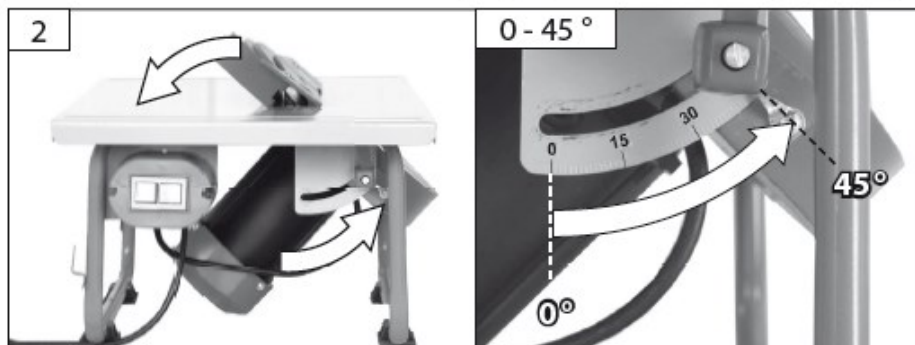
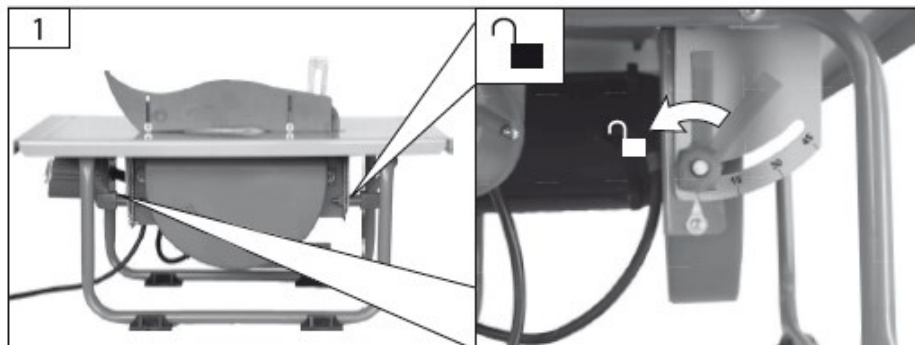
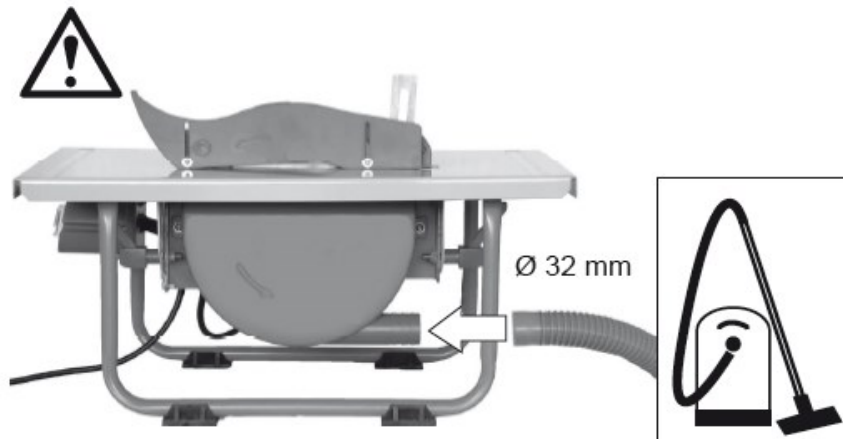


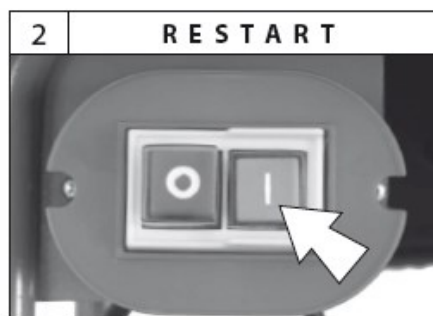
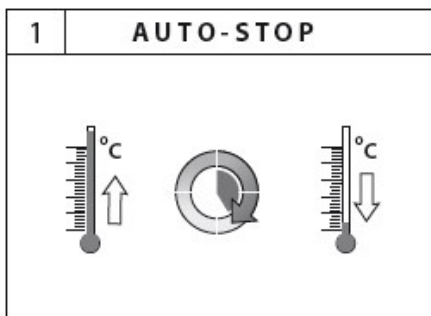
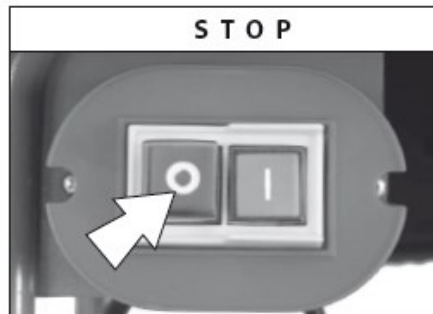
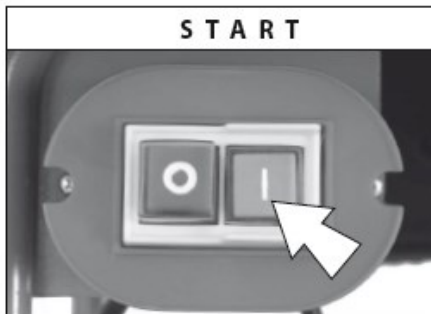
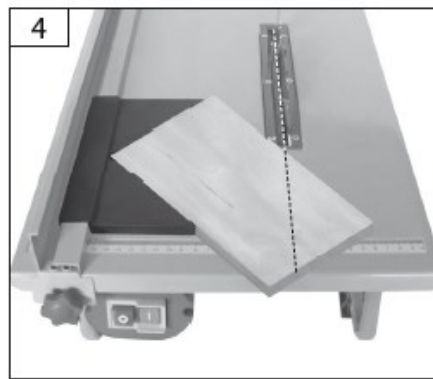
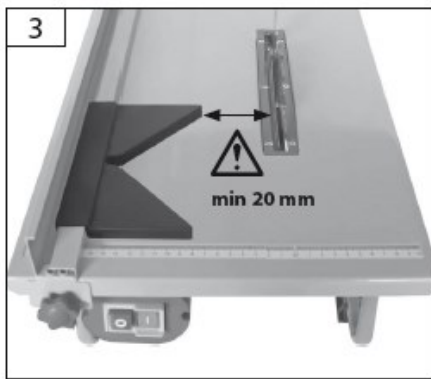
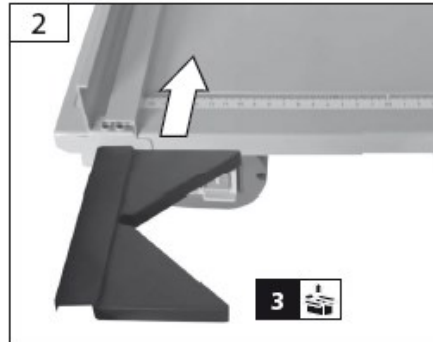
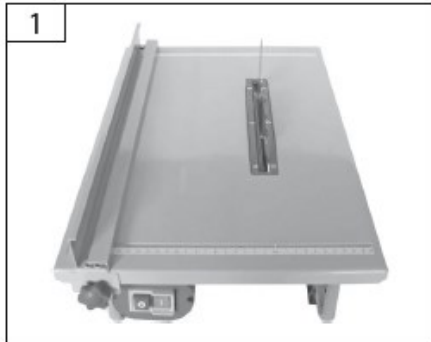
Assembly

**DO NOT connect the device to the mains before installation.
Mount the unit completely first.**

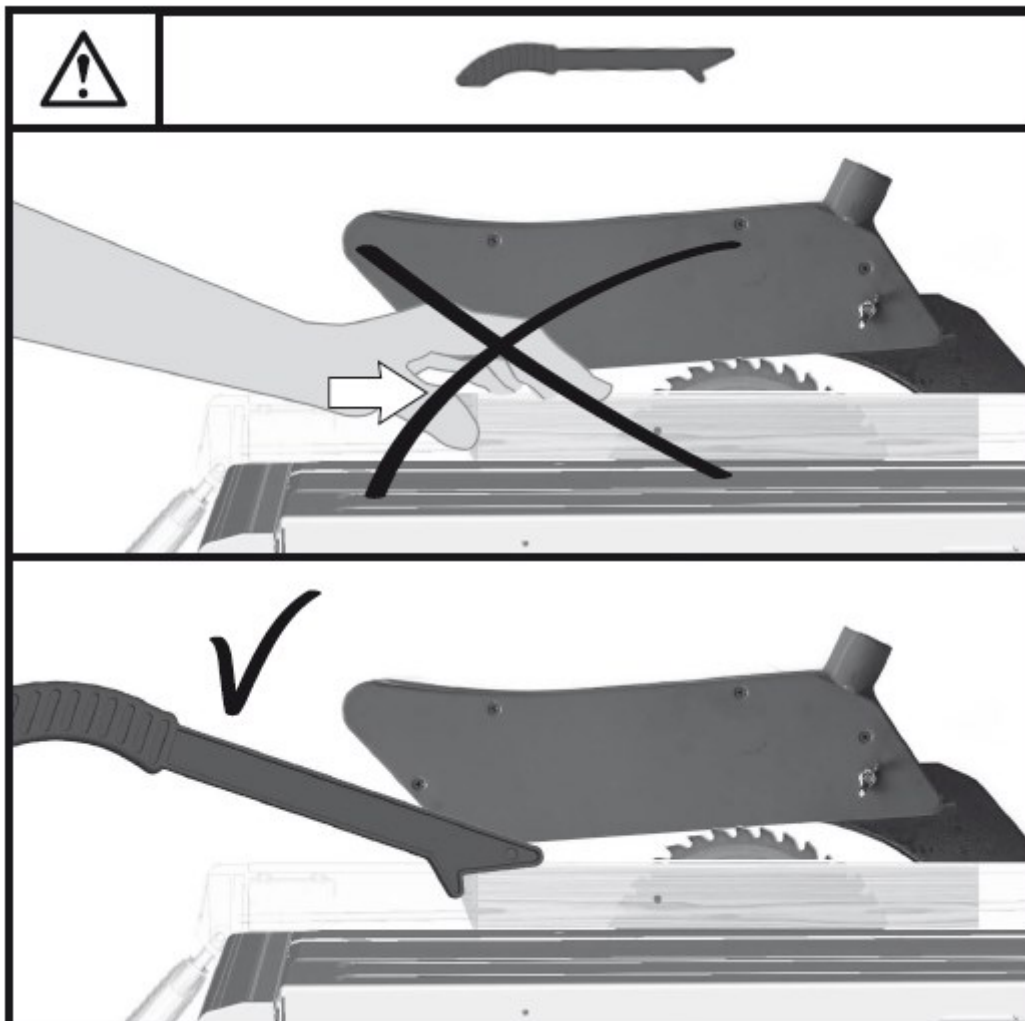


Commissioning

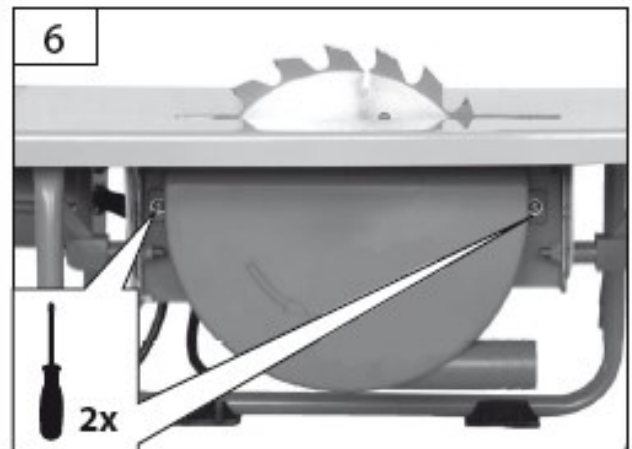
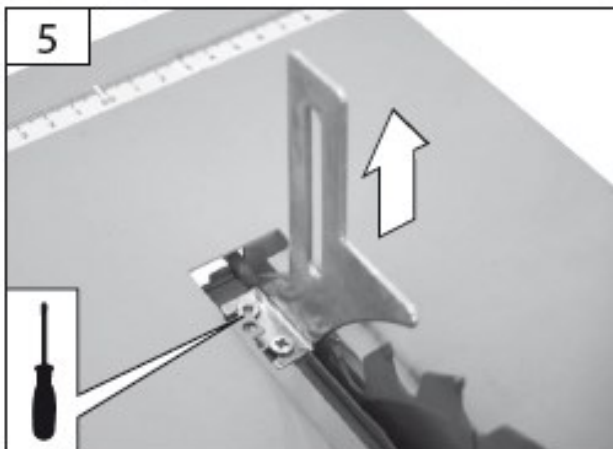
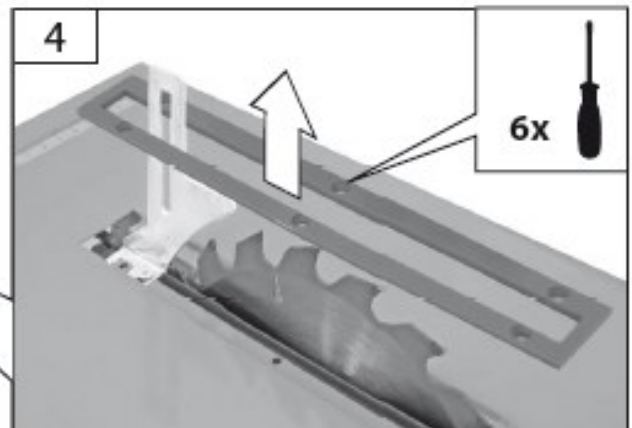
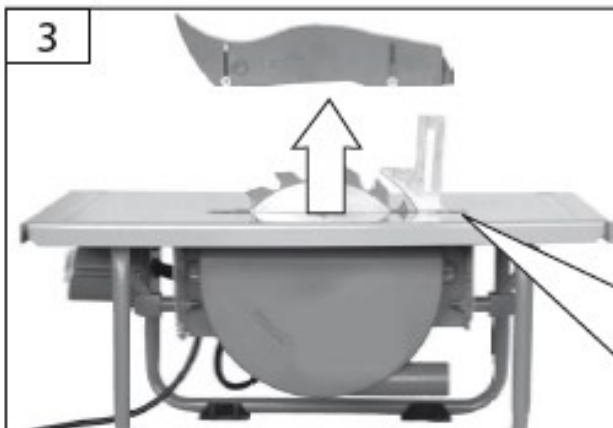
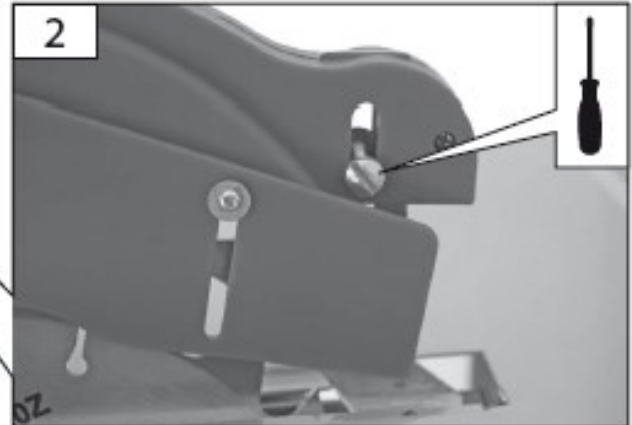
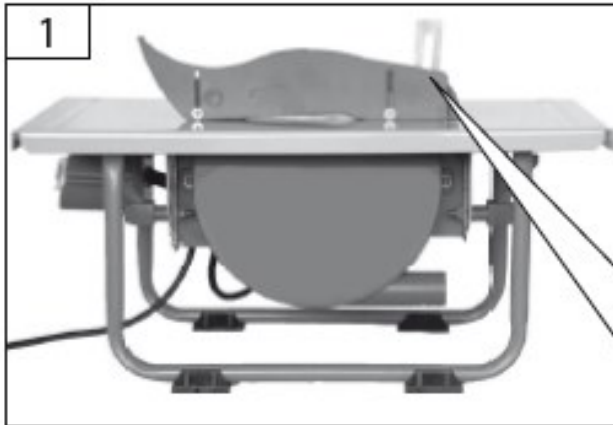


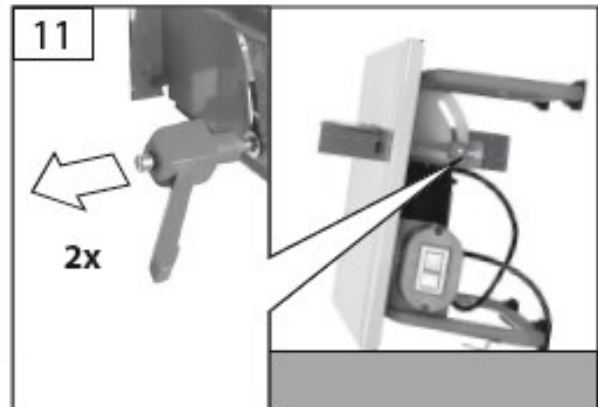
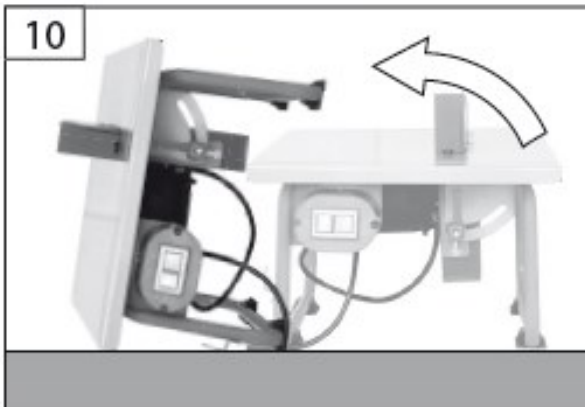
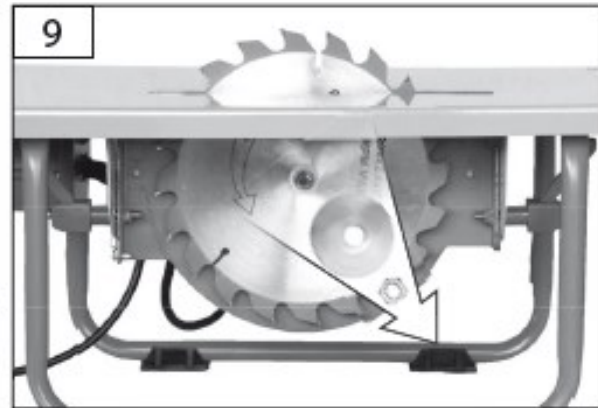
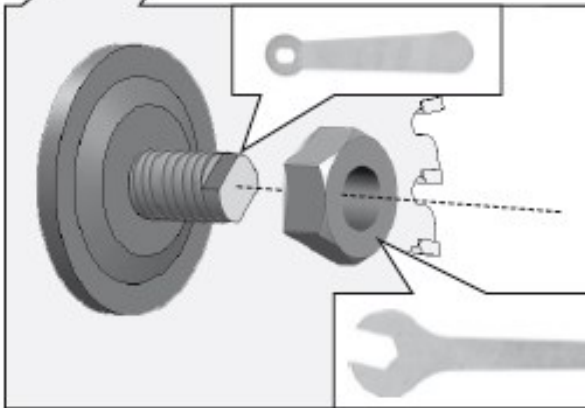
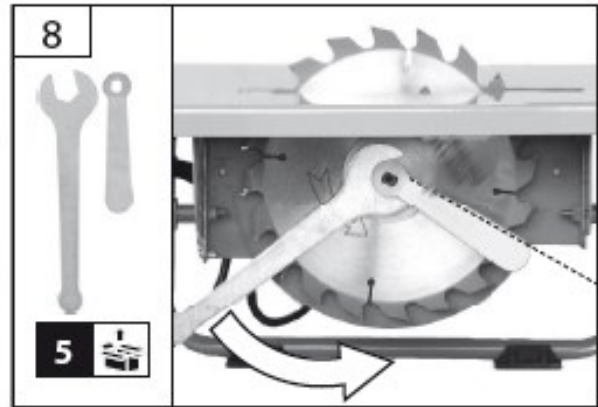
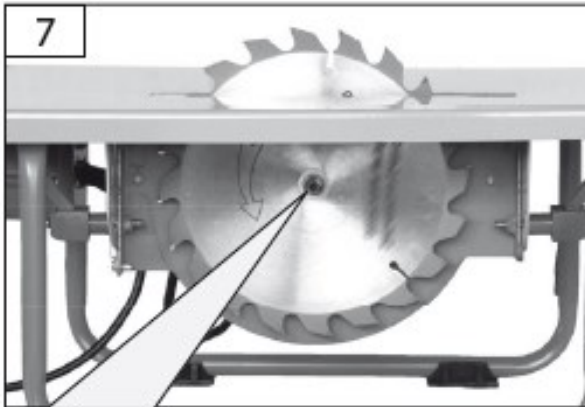


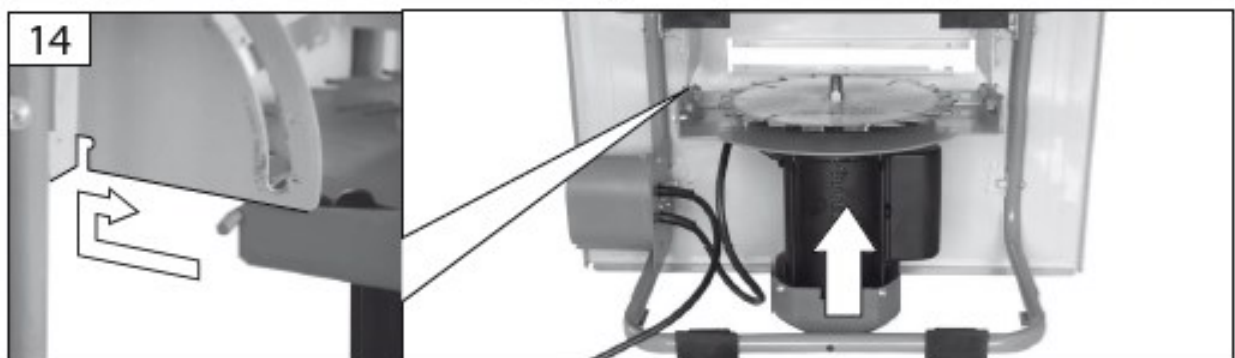
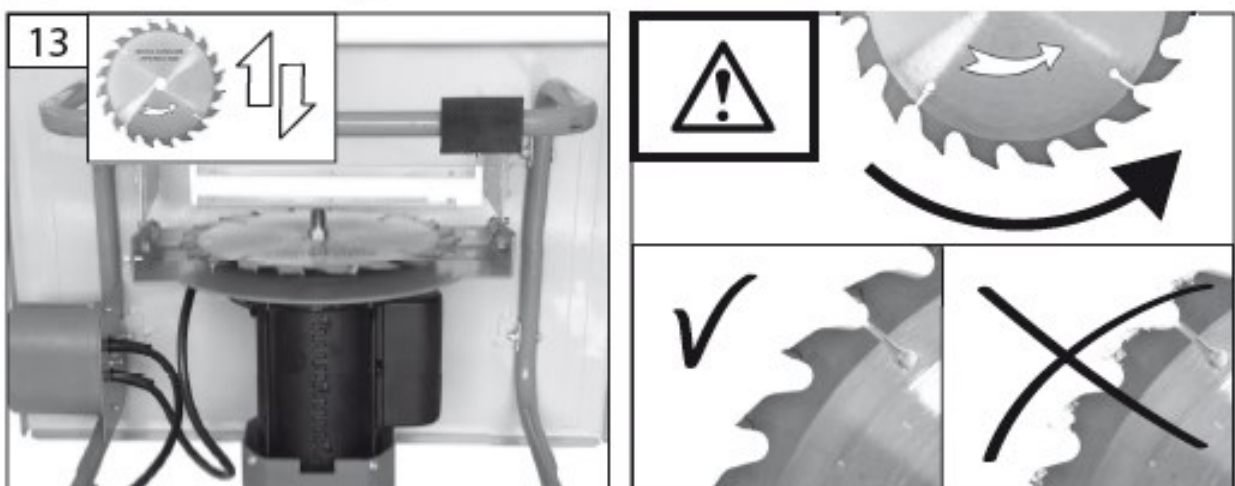
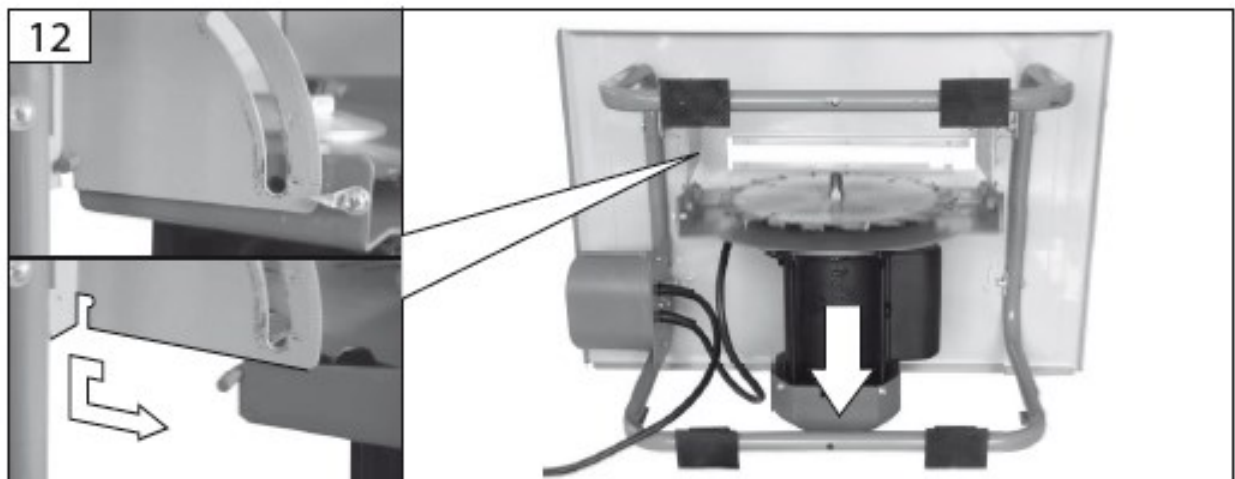
Never push wood towards the saw with your hand, but use the guide slide included in the delivery.

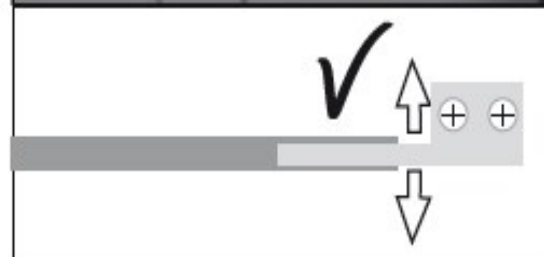
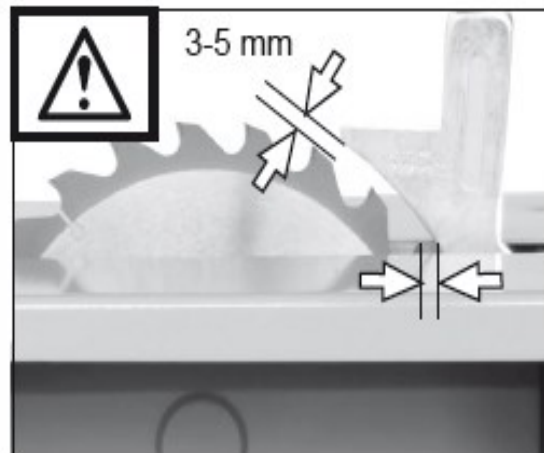
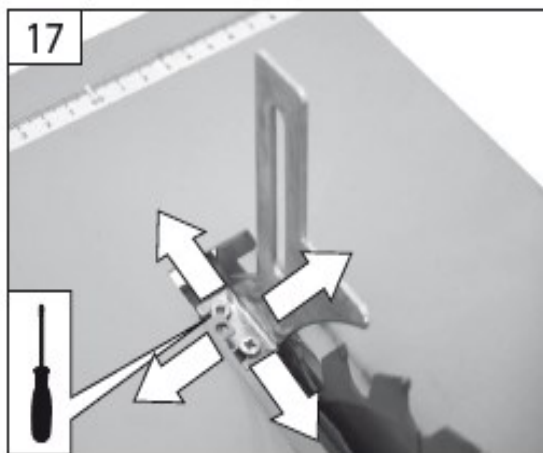
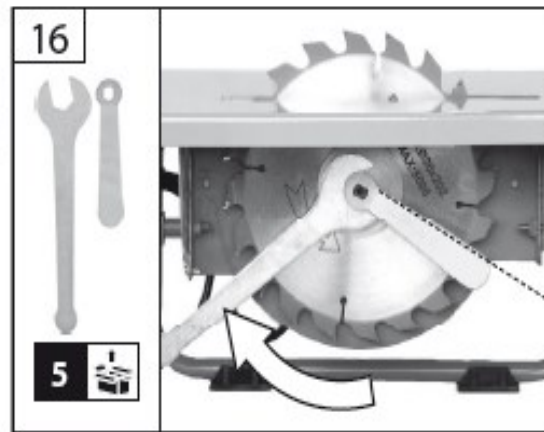
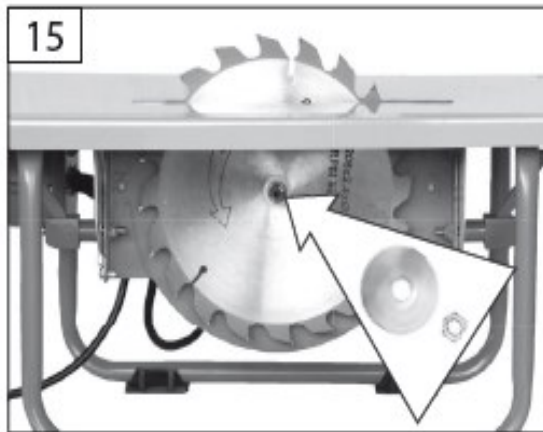


Saw blade exchange









Disposal regulations

EU guidelines regarding the disposal of scrap electric appliances (WEEE, 2012/19/EU) were implemented in the law related to electrical and electronic equipment and appliances.

All WiTec electric devices that fall under the WEEE regulations are labelled with the crossed-out wheeled waste bin logo. This logo indicates that this electric equipment must not be disposed with the domestic waste.

The company WiTec Technik GmbH has been registered in the German registry EAR under the WEEE-registration number DE45283704.

Disposal of used electrical and electronic appliances (intended for use in the countries of the European Union and other European countries with a separate collection system for these appliances).

The logo on the article or on its packaging points out that this article must not be treated as normal household waste but must be disposed to a recycling collection point for electronic and electrical waste equipment. By contributing to the correct disposal of this article you protect the environment and the health of your fellow men. Environment and health are threatened by inappropriate disposal.



Material recycling helps reduce the consumption of raw materials.

Additional information on recycling this article can be provided by your local community, municipal waste disposal facilities, or the store where you purchased the article.

Address:
WiTec Wildanger Technik GmbH
Königsbenden 12 / 28
D-52249 Eschweiler

Important notice:

The reprint or reproduction, even of excerpts, and any commercial use, even in part, of this instruction manual require the written permission of WiTec Wildanger Technik GmbH.