

Operation Manual

Automatic Pool Cleaning Robot

61946, 61947



Illustration similar, may vary depending on model

Read and follow the operating instructions and safety information before using for the first time.

Technical changes reserved!

Due to further developments, illustrations, functioning steps, and technical data can differ insignificantly.

Updating the documentation

If you have suggestions for improvement or have found any irregularities, please contact us.



The information contained in this document may alter at any time without previous notice. It is prohibited to copy or spread any parts of this document in any way without prior written allowance. All rights reserved.

The WilTec Wildanger Technik GmbH cannot be held accountable for any possible mistakes in this operating manual, nor in the diagrams and figures shown.

Even though, the WilTec Wildanger Technik GmbH has undergone biggest possible efforts to ensure that the operating manual is complete, faultless, and up to date, mistakes cannot be entirely avoided.

If you should find a mistake or wish to make a suggestion for improvement, we look forward to hearing from you.

Send an e-mail to:

service@wiltec.info

or use our contact form:

<https://www.wiltec.de/contacts/>

The most recent version of this manual in various languages can be found in our online shop via:

<https://www.wiltec.de/docsearch>

Our postal address is:

WilTec Wildanger Technik GmbH
Königsbenden 12
52249 Eschweiler
Germany

To return orders for exchange, repair, or other purposes, please use the following address. Attention! To allow for a smooth execution of your complaint or return, it is important to contact our customer service team before returning the goods.

Returns Department
WilTec Wildanger Technik GmbH
Königsbenden 28
52249 Eschweiler

E-mail: **service@wiltec.info**

Tel: +49 2403 55592-0

Fax: +49 2403 55592-15

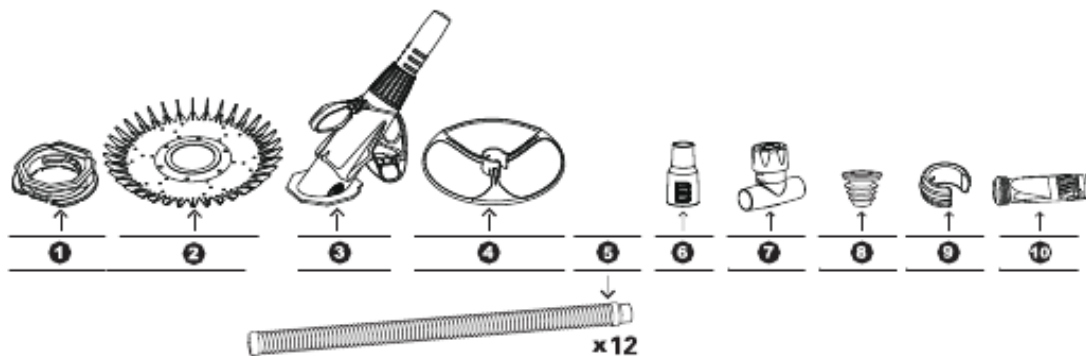
Introduction

Thank you for purchasing this quality product. **To minimise the risk of injury we urge that our clients take some basic safety precautions when using this device. Please read the operation instructions carefully and make sure you have understood its content.** Keep these operation instructions safe.

Safety precautions

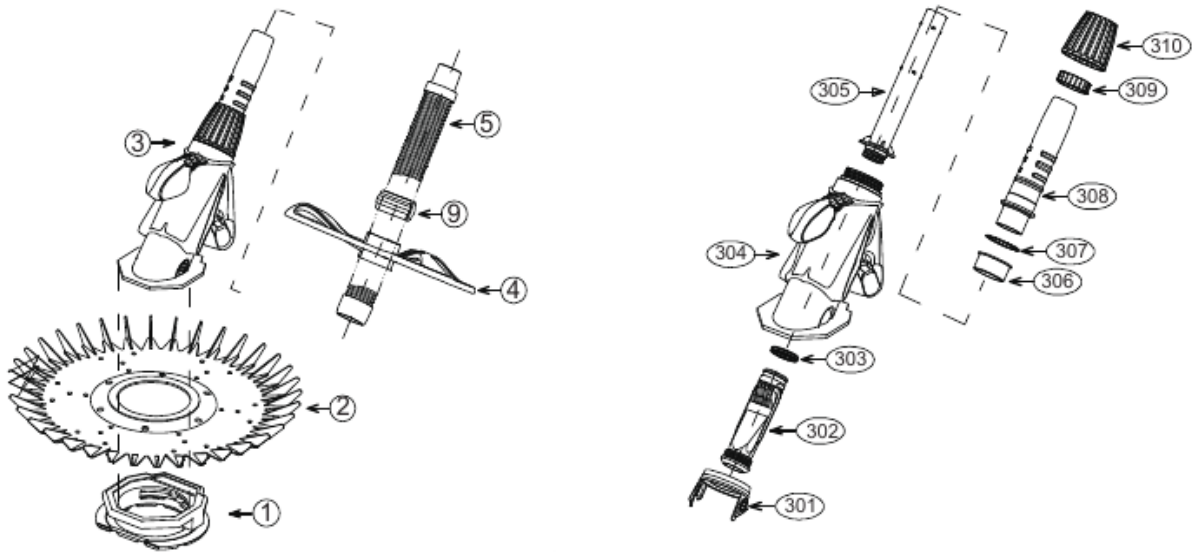
- This device is not intended to be used by persons (or children) with reduced physical, sensory, or mental capabilities or persons not having the necessary experience or knowledge, unless they are supervised by a person responsible for their safety or have previously been instructed in the use of the device.
- The floor cleaner must not be used when there are people in the pool.
- The floor cleaner must be removed from the pool after use.
- Remove the connection to the filter pump before cleaning the floor cleaner.
- Do not play with the device – **risk of drowning!**
- Make sure that the floor around the pool is dry – **risk of slipping!**

Parts list



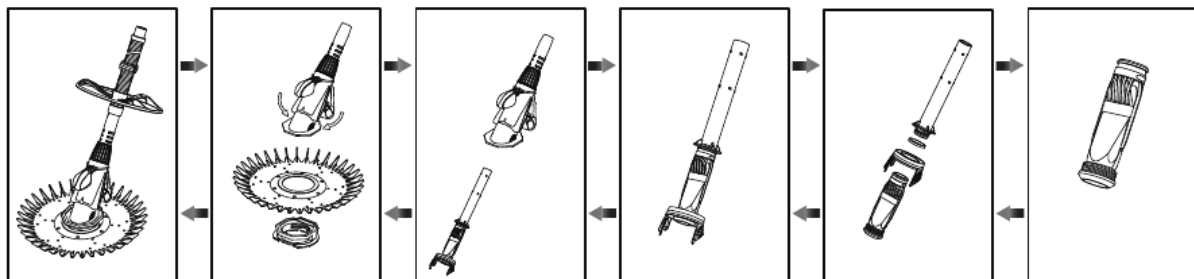
No	Name	No	Name
1	Pedestal	6	Suction manometer
2	Border	7	Flow rate regulator
3	Main body	8	Universal adaptor
4	Guide wheel	9	Hose weight
5	Hose segments	10	Membrane

Exploded view and parts list



Nº	Name	Nº	Name
1-5, 9	(see above)	306	Bushing
301	Clamp	307	Washer
302	Membrane	308	External tube
303	O-ring	309	C-ring
304	Housing	310	Nut
305	Inner tube		

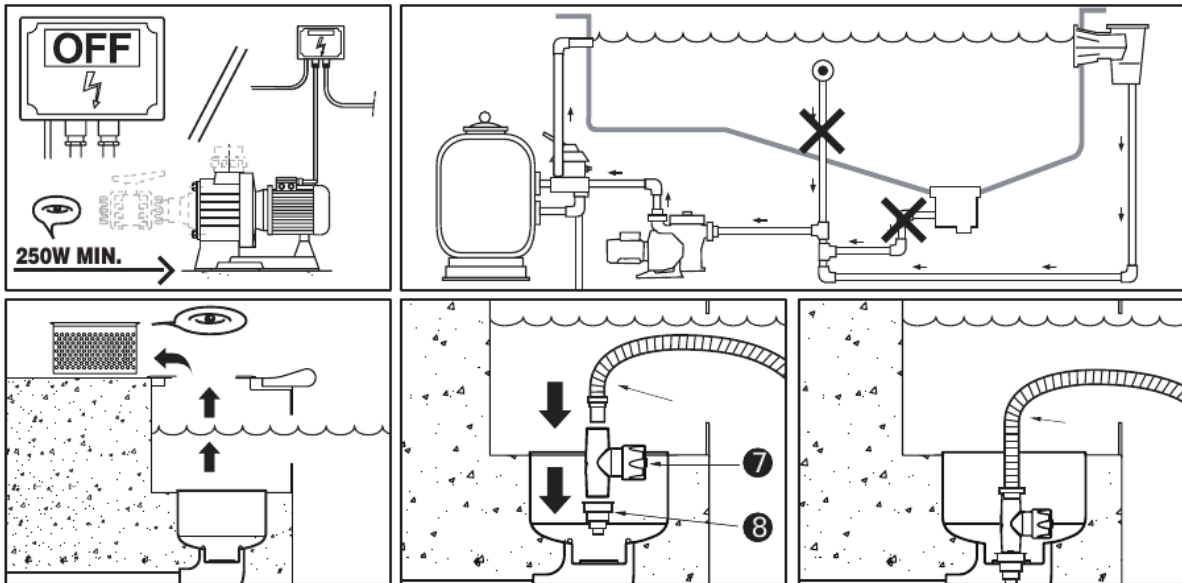
Assembly and replacement of membranes



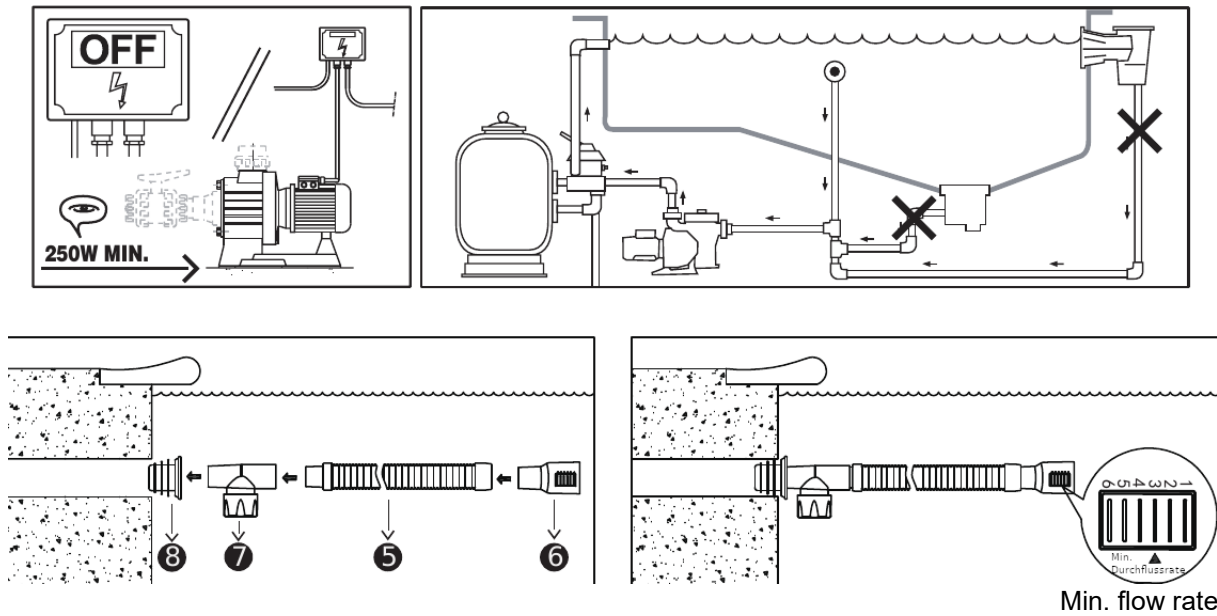
Note! When fixing part 2, part 1 does not need to be removed from part 3. Simply plug part 2 onto part 1.

Important note! Before the pool cleaner is connected to the filtration system, the product must be submerged to avoid air suction. The hoses must be filled with water. Adjust the flow regulator to get the best performance from the cleaner.

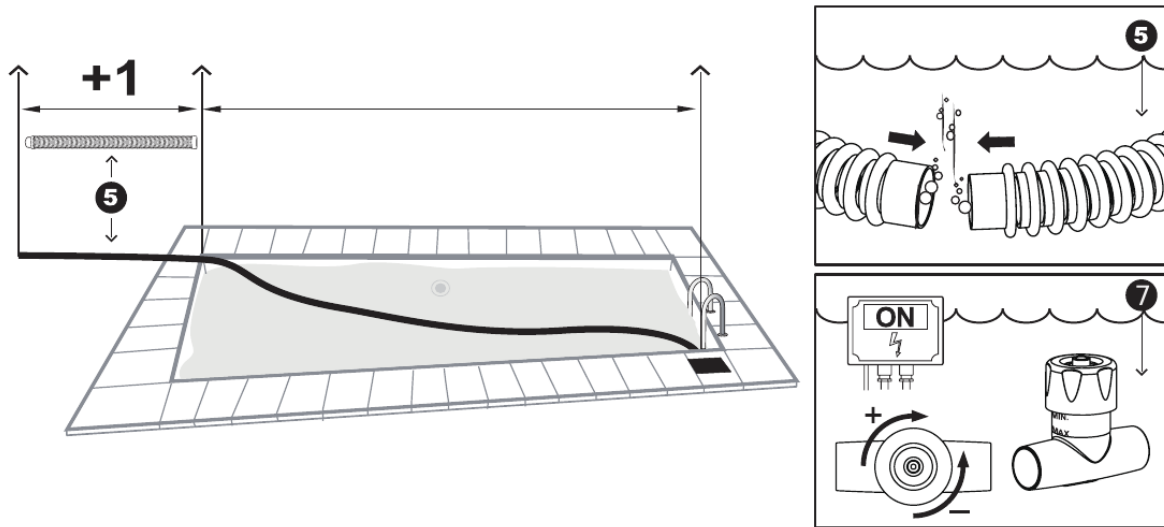
Skimmer



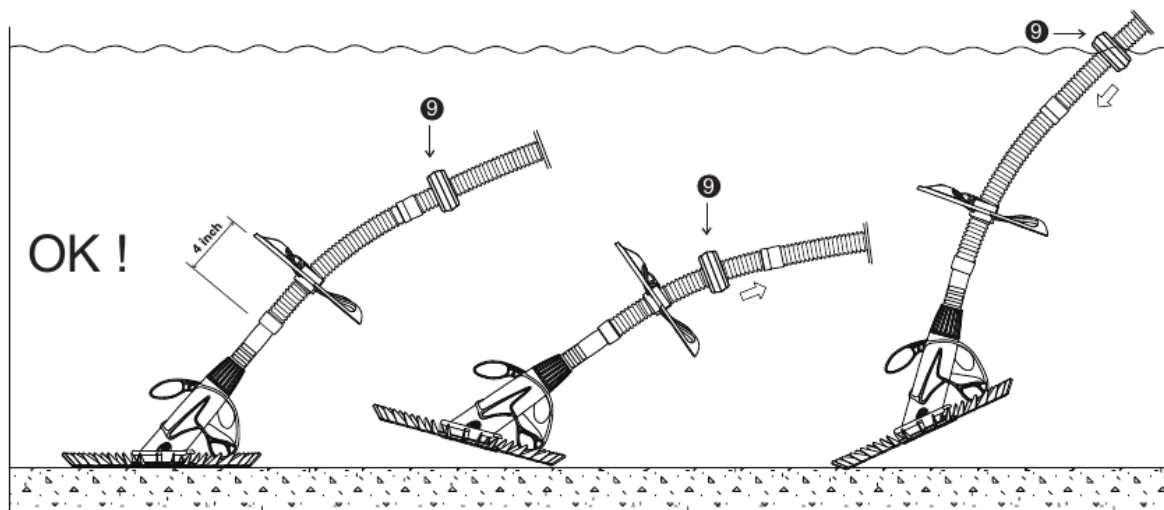
Suction nozzle



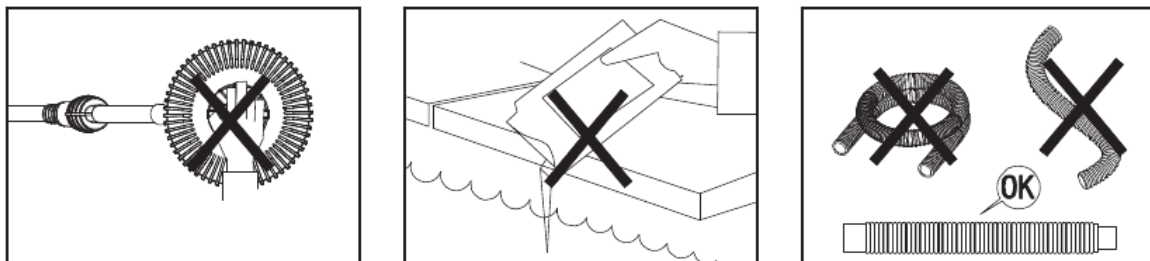
Hose segment



Adjustment



Important!





Troubleshooting

Problem	Proposal for solution
The cleaner starts and stops or does not move.	Make sure that filter is clean and pump is switched on.
	Switch off safety suction; make sure that main drain is closed.
	Make sure that vacuum plate is properly installed.
	Check if cleaner and hose are free from air pockets.
	Check membrane for damage or blockages.
The cleaner misses spots in the pool.	Make sure that correct amount of hose has been installed; try adding or removing a length of tubing or two.
	Make sure that all returns direct flow of water to pool floor; adjust balls or use water distributor.
	Make sure that hose is straight and not tangled.
The cleaner does not rise.	Make sure that pool water is properly balanced; a high pH and/or lack of chlorine make walls very slippery.
	Increase suction with flow regulator.
	Check that float arm is in correct position. Note: Cleaner cannot climb up in pools with sharp 90-degree angle between wall and floor.
The cleaner is taking too long to climb walls or get out of the water.	Reduce suction power using flow control.
	Adjust supplied hose weight towards cleaning head.
Presence of cleaning sticks in the corners, under the ladders, under the lights or on the steps of the pool.	Make sure that correct amount of hose has been installed, try adding or removing a length of tubing or two.
	Make sure that all returns direct flow of water to pool floor; adjust balls or use water distributor.
	Add optional hose motors and/or replace wheel deflector with a larger one.

Important notice:

The reprint or reproduction, even of excerpts, and any commercial use, even in part, of this instruction manual require the written permission of WilTec Wildanger Technik GmbH.