

Operation Manual

Saw Horse with Chainsaw Holder

61973



Illustration similar, may vary depending on model

Read and follow the operating instructions and safety information before using for the first time.

Technical changes reserved!

Due to further developments, illustrations, functioning steps, and technical data can differ insignificantly.

Updating the documentation

If you have suggestions for improvement or have found any irregularities, please contact us.



The information contained in this document may alter at any time without previous notice. It is prohibited to copy or spread any parts of this document in any way without prior written allowance. All rights reserved.

The WilTec Wildanger Technik GmbH cannot be held accountable for any possible mistakes in this operating manual, nor in the diagrams and figures shown.

Even though, the WilTec Wildanger Technik GmbH has undergone biggest possible efforts to ensure that the operating manual is complete, faultless, and up to date, mistakes cannot be entirely avoided.

If you should find a mistake or wish to make a suggestion for improvement, we look forward to hearing from you.

Send an e-mail to:

service@wiltec.info

or use our contact form:

<https://www.wiltec.de/contacts/>

The most recent version of this manual in various languages can be found in our online shop via:

<https://www.wiltec.de/docsearch>

Our postal address is:

WilTec Wildanger Technik GmbH
Königsbenden 12
52249 Eschweiler
Germany

To return orders for exchange, repair, or other purposes, please use the following address. Attention! To allow for a smooth execution of your complaint or return, it is important to contact our customer service team before returning the goods.

Returns Department
WilTec Wildanger Technik GmbH
Königsbenden 28
52249 Eschweiler

E-mail: **service@wiltec.info**

Tel: +49 2403 55592-0

Fax: +49 2403 55592-15



Introduction

Thank you for purchasing this quality product. **To minimise the risk of injury we urge that our clients take some basic safety precautions when using this device. Please read the operation instructions carefully and make sure you have understood its content.**

Keep these operation instructions safe.

Safety precautions

- Follow all safety notes and information stated in this manual. You should be familiar with the operating manual and the included safety notes and instructions before operating the chainsaw. Non-compliance of safety notes can lead to serious injury.
- Wear adequate protective equipment. Do not wear any loose clothing or jewellery and bind long hair together.
- Always wear protective glasses when using the chainsaw, to protect the eyes from any wood splinters. Additionally wear hearing protection, safety shoes and sturdy working gloves with a cut resistant insert.
- If possible, only use straight pieces of wood.
- The maximal blade length of the chainsaw is allowed to be 45 cm. Longer chainsaw blades will exceed the safety guard.
- Ensure that the aeration is adequate when using a motorised chainsaw.
- Make sure that the blade of chainsaws with cable conduit never touch the electricity cable.
- Ensure that your workspace is illuminated sufficiently.
- The chainsaw may not be operated if you are under the influence of alcohol, drugs, or other medicine which can influence your perception.
- At all times keep your hands away from the saw blades!

Safe handling of the saw horse with chainsaw holder

1. Place the wood onto the saw horse and push it to the measuring rod. Hold the piece of wood with the left hand, keep the hand at safe distance far from the chainsaw blade.
2. The surface of the saw horse is designed for a maximum length of 1.8 meters and a maximal diameter of 25–30 cm. The maximal allowed weight load of the saw horse is 120 kg.
3. The chainsaw holder of the saw horse is not suitable for chainsaws with a blade length of more than 45 cm.
4. The hinge clamp and the safety guard need to be disengaged if the chainsaw is used without the saw horse.
5. The hinge clamp and the holder always need to be lubricated sufficiently.
6. The saw horse may only be used on even surfaces.
7. Ensure that the nuts and screws of the hinge clamp and the safety guard are always tightened. When using a chainsaw with the saw horse it is important to comply with all safety regulations and practises of the chainsaw manufacturer.

Assembly

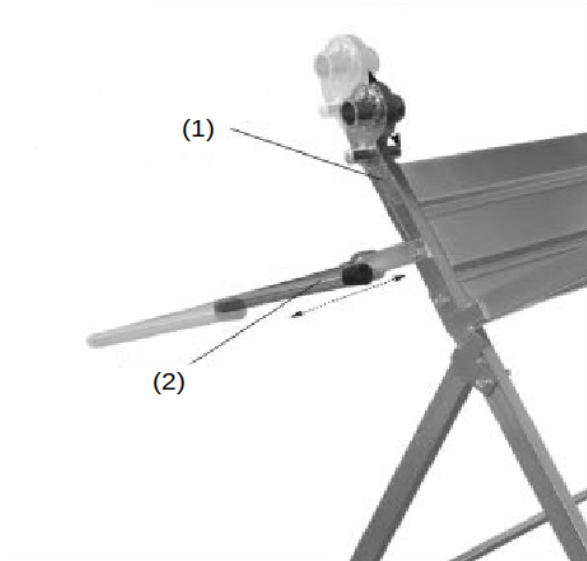


Figure 1

Hinge clamp holder and measuring bar

Push the hinge holder **(1)** (vertically adjustable) together with the holder of the measuring bar **(2)** (horizontally adjustable) into the top surface of the saw horse. Use the washers and bolts included in the delivery for this purpose.

The vertical setting of the hinge clamp holder is used to hold chainsaws of various sizes. The bigger and longer the chain is, the higher the hinge clamp should be placed. Adjust it, so that the tip of the chainsaw exceeds the loading surface, enabling it to cut the log into two pieces.

The measuring bar can be adjusted horizontally to enable every log being cut into the desired length.

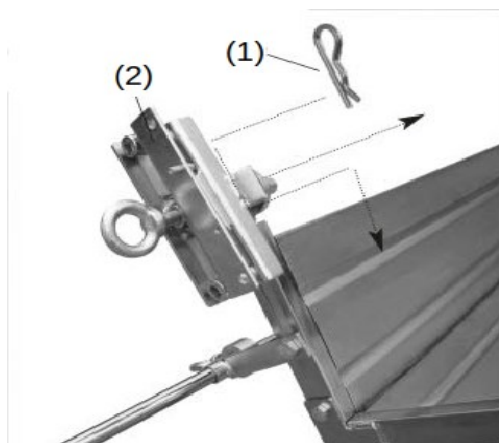


Figure 2

Hinge clamp

Push the bar of the hinge clamp **(2)** into the cylinder of the supporting hinge clamp and secure it with the R-clip **(1)**.

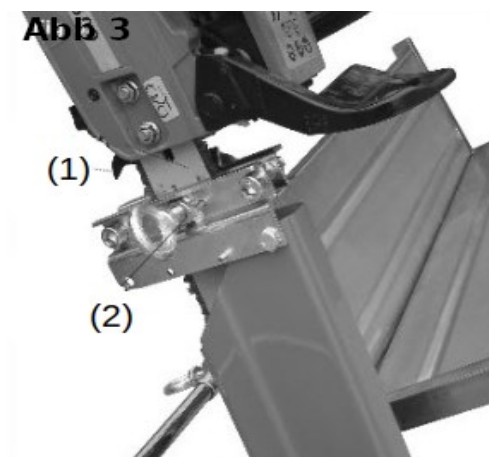


Figure 3

Carefully place the chainsaw blade in between the solid blocks of the hinge clamp **(2)**. Ensure 2 cm **(1)** between the body of the chainsaw and the clamp.



Figure 4a

Position the chain guard above the upper bar (1) of the swivel clamp (2). Tighten the protection bar with the screw and nut included in the delivery.



Figure 4b

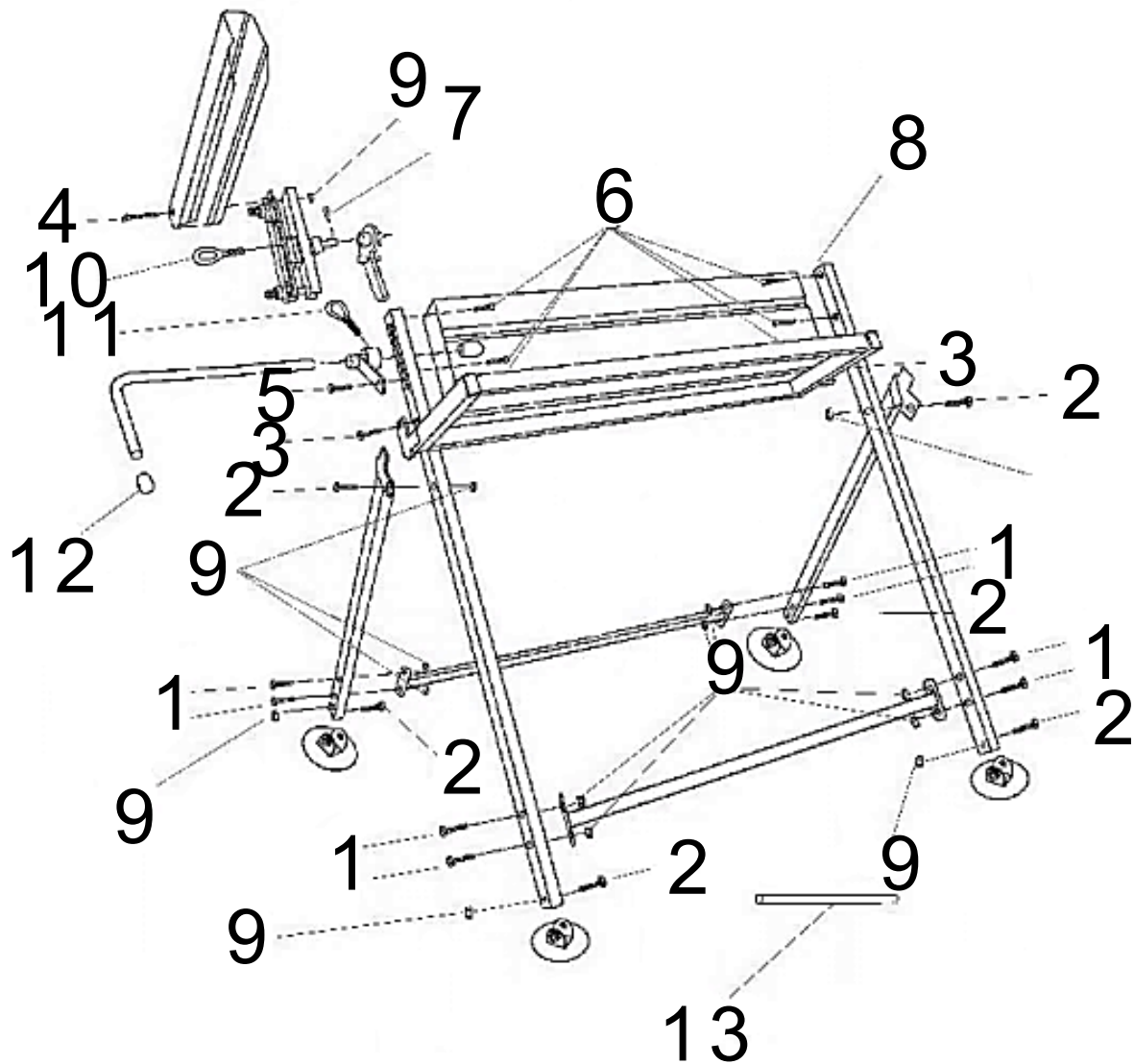
The safety guard needs to be moved as required until a position has been reached in which the safety guard is away from the chain. Then tighten the bolt again and check it on its clearance.

The sea horse is ready for use.

Parts list

No	Fig.	Size (mm)	Qty.	No	Fig.	Size (mm)	Qty.
1		8×30	8	8		—	1
2		8×35	6	9		M8	17
3		8×45	2	10		12×30	1
4		8×70	1	11		10×20	1
5		10×20	1	12		16	2
6		8×12	6	13*		16×200	1
7		3	1	* Please note: The bar (13) is only needed to tighten the parts 10 and 11.			

Exploded view



Technical specifications

Max. load capacity (kg)		120
Weight (kg)		11
Dimensions (cm)	Assembled and unfolded	88 × 71 × 96
	Folded	88 × 15 × 9.7

Important notice:

The reprint or reproduction, even of excerpts, and any commercial use, even in part, of this instruction manual require the written permission of WilTec Wildanger Technik GmbH.